


N°	Code	Description	Qty
1	12-00941	FLUE HOOD	1
2	15-00064	COMBUSTION CHAMBER FRONT PANEL	1
3	15-00090	ROOM-SEALED CHAMBER BACK PANEL	1
4	15-00147	FRAME SUPPORT RIGHT SIDE	1
5	15-00148	FRAME SUPPORT LEFT SIDE	1
6	15-00150	ROOM-SEALED CHAMBER TOP	1
7	15-00151	EXPANSION VESSEL TOP BRACKET	1
8	15-00152	CASING LEFT SIDE PANEL	1
9	15-00153	CASING RIGHT SIDE PANEL	1
10	15-00210	COMBUSTION CHAMBER RIGHT SIDE PANEL	1
11	15-00211	COMBUSTION CHAMBER LEFT SIDE PANEL	1
12	15-00264	FLUE HOOD BACK PIECE RBS23	1
13	15-00294	EXPANSION VESSEL BOTTOM BRACKET	1
14	15-00784	BOTTOM BOILER PLATE	1
15	15-00786	ROOM-SEALED CHAMBER BOTTOM PLATE	1
16	15-00858	CONTROL PANEL LEFT SIDE BRACKET	1
17	15-00859	CONTROL PANEL RIGHT SIDE BRACKET	1
18	30-00011	CERAMIC FIBRE FRONT SIDE	1
19	30-00014	CERAMIC FIBRE BACK SIDE	1
20	30-00025	CERAMIC FIBRE DX/SX	2
21	35-00042	CASING FRONT PANEL	1
22	43212LA	RIGHT/LEFT PANEL INSULATION	1
23	43213LA	ALUMINIUM ADHESIVE RIGHT/LEFTSIDE PANEL 300X220	1
24	43283LA	INSULATION FRONT PANEL M24395x520x10sp	1
25	54034LA	THERMOSTAT CLIP M24 - 3S- MPMM19	1
26	55-00237	CAP D.28 EXPANSION VESSEL CHARGING 7L.	1
27	62011LP	HOLES CLOSING PLATE D.100 FORR/S CHAMBER TOP	2
28	74266LP	CASING WALL HANGING BRACKET M24-RK25/34OV	1
29	74503LP	WALL HANGING BRACKET	1

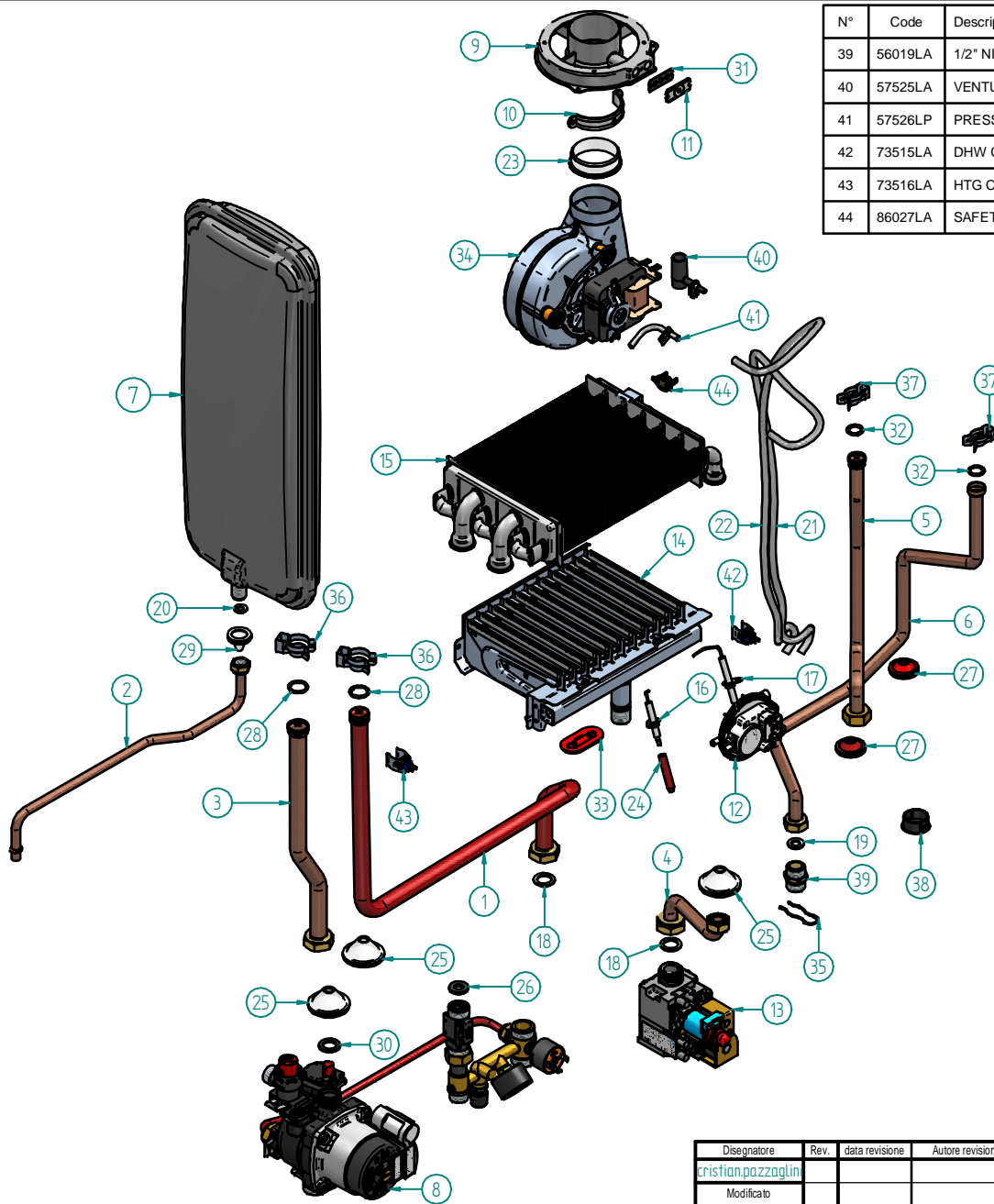
Disegnatore	Rev.	data revisione	Autore revisione	Descrizione revisione
cristian.pozzaglin				
Modificato				
cristian.pozzaglin				
Data di creazione	Scala	Materiale	Sp.	Peso (Kg)
27/11/2012	15			3882,669
Note				
Descrizione completa RBS 24 "ENERGY" MET SIT - R3				



**RADIANT BRUCIATORI s.p.a.**  
61025 Loc. Montelabbate (PS) - Via Pantanelli, 164  
Tel. 0721/90791 (n. 4 linee r.a.) - Fax. 0721/9079299


Code: **A991A312N101**    Revisione: **00**

N°	Code	Description	Qty
1	12-00254	PIPE Ø18 HTG FLOW	1
2	12-01010	PIPE D.10 EXPANSION VESSEL	1
3	12-01011	PIPE D.18 HTG RETURN	1
4	12-01012	PIPE D.14 GAS INLET	1
5	12-01070	PIPE D.14 HOT WATER	1
6	12-01071	PIPE D.14 COLD WATER	1
7	25-00283	EXPANSION VESSEL 7 LT. 3/8"	1
8	26-00112	HYDRAULIC GROUP	1
9	27066LA	FLUE INSPECTION	1
10	27067LA	FIXING CLAMP FLUE INSPECTION	1
11	27068LA	PLATE FOR FLUE INSPECTION CLOSURE	1
12	30-00023	AIR PRESSURE SWITCH 2.14-1.96	1
13	30-00035	GAS VALVE SIT 845 113 230V	1
14	30-00052	BURNER 11R 1.35 pitch 19 NAT.GAS	1
15	30-00081	HEAT EXCHANGER - DUAL CIRCUIT TYPE 81A	1
16	35007LA	IGNITION ELECTRODE E. 0774527	1
17	35009LA	IONISATION ELECTRODE EL.0774929	1
18	43001LA	WASHER Ø 23.5x17x2 3/4" -AFM34	2
19	43002LA	WASHER Ø 18.5x10.2x2 1/2" -AFM34	1
20	43003LA	WASHER Ø15x8x2 3/8" -AFM34	1
21	43018LA	SYLICON/TRANSPARENT PIPE Ø 8x4	1
22	43018LA	SYLICON/TRANSPARENT PIPE Ø 8x4	1
23	43031LA	EXHAUST FAN D.54 RUBBER COLLAR	1
24	43040LA	ELECTRODE RED RUBBER CAP 0619/36	1
25	43047LA	GAS VALVE WHITE WASHER	3
26	43113LA	FLWSWITCH WASHER D.22x10.5x3EPDM	1
27	43117LA	SYLICON PIPE-WASHER D.14	2
28	43118LA	MAIN HEAT EXCHANGER O-RING	2
29	43154LA	HTG FLOW WHITE CONICAL WASHER	1
30	43159LA	WASHER EPDM 80 SH M.PLEX 16x24x2,5 3/4"	1
31	43220LA	RUBBER WASHER EPDM FLUE INSPECTION	1
32	43257LA	OR 3056 EPDM D.E.13,95F.262	2
33	43352LA	FB12/1 SYLICON RED WASHER-OVAL	1
34	50-00011	EXHAUST FAN	1
35	54016LA	LOWER FITTINGS PLATE FIXING CLIP D.2X48,5 ZINC	1
36	54020LA	DUAL CIRC. EXCHANGER FIXING CLIP	2
37	54033LA	PIPE FIXING CLIP M24 - 3S- MPMM18	2
38	55-00237	CAP D.28 EXPANSION VESSEL CHARGING 7L.	1



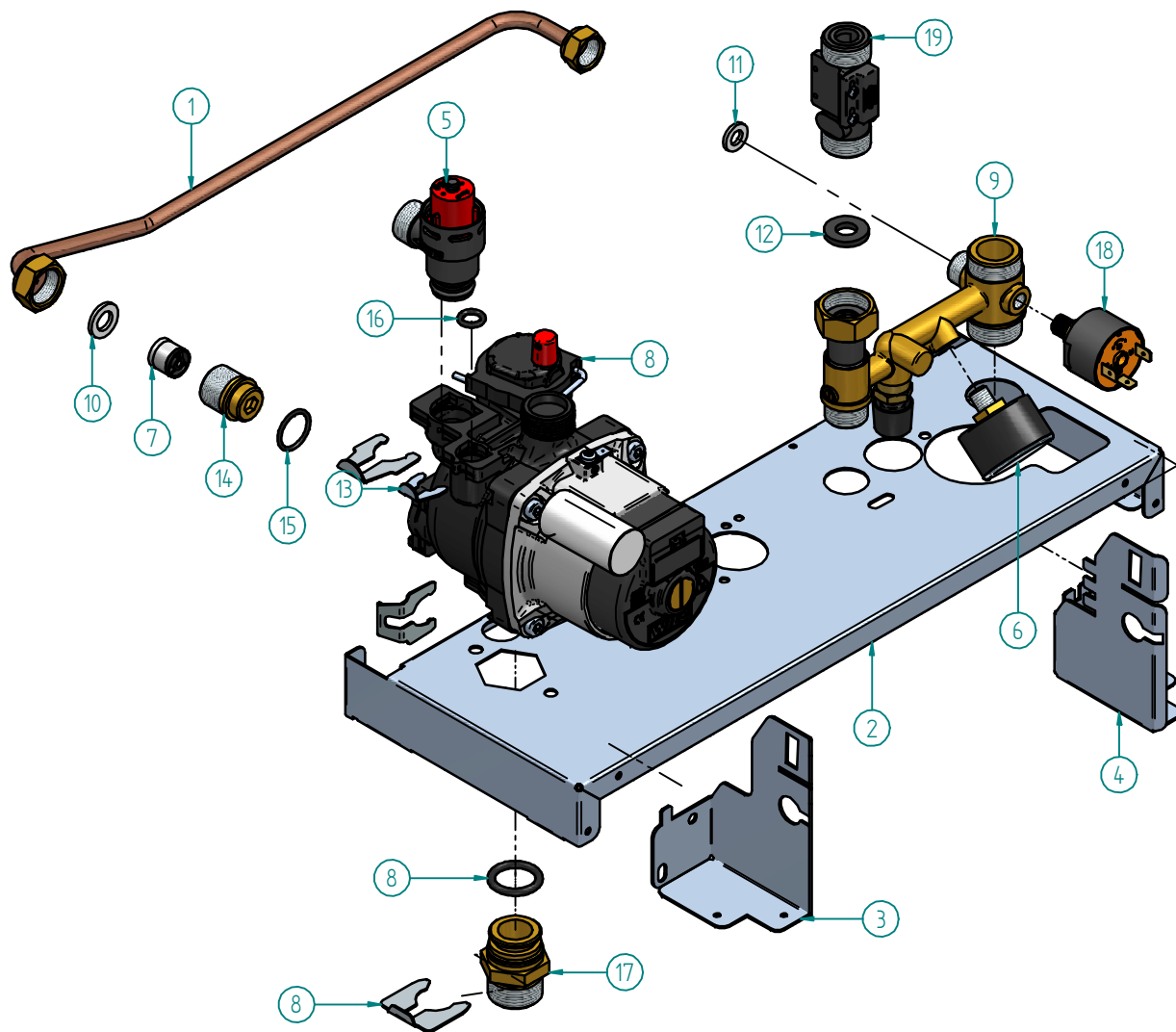
N°	Code	Description	Qty
39	56019LA	1/2" NIPPLES E. 24x29 W/SPRING SIDE	1
40	57525LA	VENTURI NEGATIVE PRESSURE POINT 2008	1
41	57526LP	PRESSURE POINT MINI 24 FIME	1
42	73515LA	DHW CLIP SENSOR X PIPE 13/15 mm. BLUE-T7335D1081B	1
43	73516LA	HTG CLIP SENSOR X PIPE 17/18mm BLUE	1
44	86027LA	SAFETY THERMOSTAT 90øFB1A2GF1NT90CV MIDY-SF16	1

Disegnatore	Rev.	data revisione	Autore revisione	Descrizione revisione
cristian.pazzaqlin				
Modificato				
cristian.pazzaqlin				
Data di creazione	Scala	Materiale	Sp.	Peso (Kg)
27/11/2012	155			8882.669
Note				
Descrizione completa RBS 24 "ENERGY" MET SIT - R3				




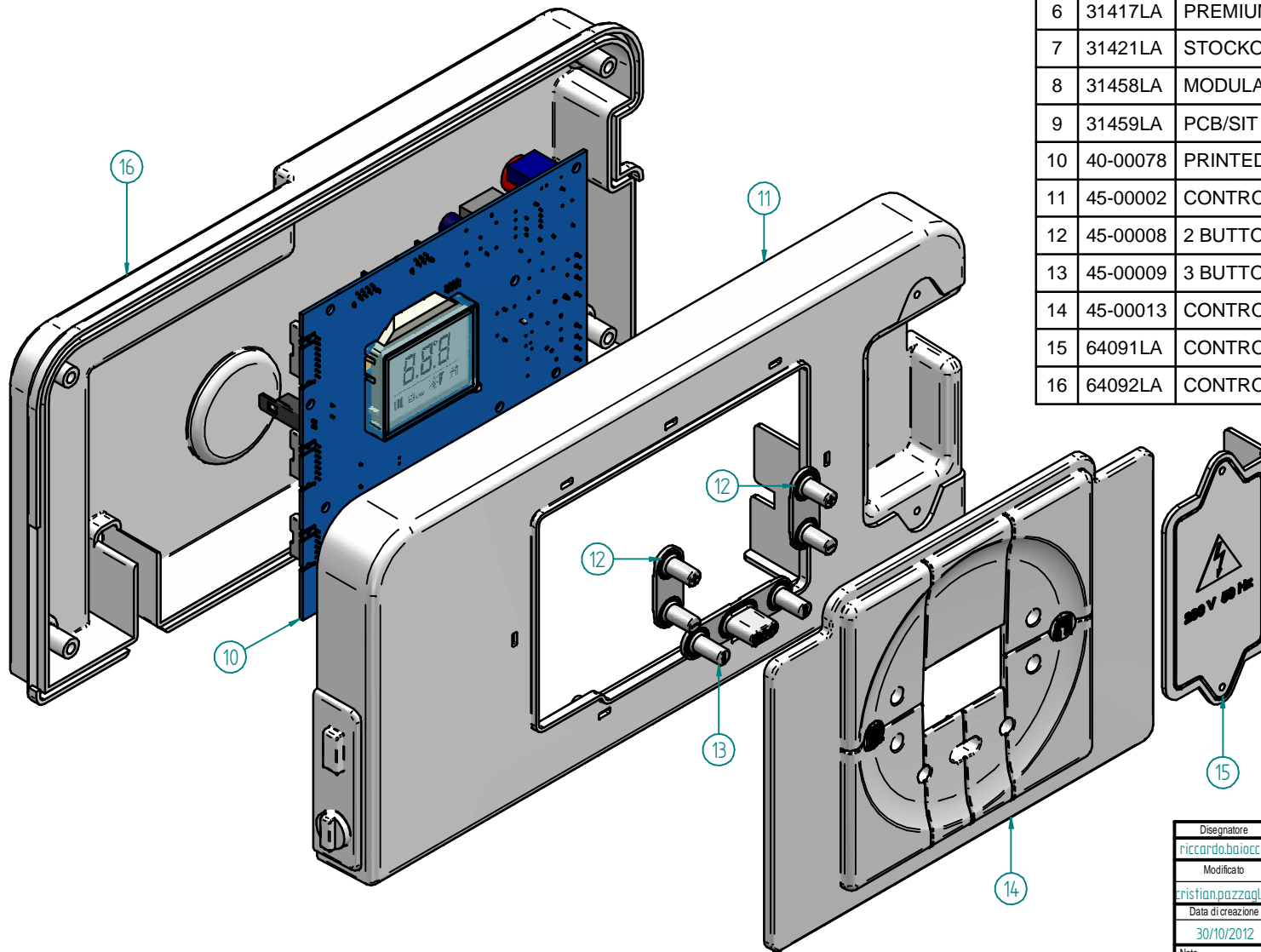
**RADIANT BRUCIATORI s.p.a.**  
61025 Loc. Montelabbate (PS) - Via Pantanelli, 164  
Tel. 0721/90791 (n. 4 linee r.a.) - Fax. 0721/9079299

Code: **A991A312N101** Revisione: **00**




N°	Code	Description	Qty
1	12-01008	PIPE D.8 BY-PASS	1
2	15-00784	BOTTOM BOILER PLATE	1
3	15-00858	CONTROL PANEL LEFT SIDE BRACKET	1
4	15-00859	CONTROL PANEL RIGHT SIDE BRACKET	1
5	25-00131	3 BAR PRESS.RELIEF VALVE 1/2"	1
6	25-00196	WATER PRESSURE GAUGE	1
7	25-00256	BY-PASS D.15	1
8	25-00287	PUMP INTMSL12/PREMIUM	1
9	26255LA	D.COLD WATER INLET/HEATING FLOW CONNECTION - 4439	1
10	43002LA	WASHER Ø 18.5x10.2x2 1/2" -AFM34	1
11	43003LA	WASHER Ø15x8x2 3/8" -AFM34	1
12	43113LA	FLOWSWITCH WASHER D.22x10.5x3EPDM	1
13	54035LP	FORCELLA FISSAGGIO TUBO VASO ESP.	1
14	55-00217	BY-PASS CONNECTION	1
15	55-00218	OR 17.13 x Ø2.62 BY-PASS	1
16	55-00222	OR PIPE EXPANSION VESSEL	1
17	55-00228	NIPLES 3/4" PUMP INTMSL 12/5-1 WILO	1
18	59015LA	WATER PRESSURE SWITCH	1
19	96007LP	ELECTRONIC FLOWSWITCH ZYTEL	1

Disegnatore	Rev.	data revisione	Autore revisione	Descrizione revisione
crislian.pozzaglin				
Modificato				
crislian.pozzaglin				
Data di creazione	Scala	Materiale	Sp.	Peso (Kg)
27/11/2012	1:25			761,424
Note				
Descrizione completa <b>HYDRAULIC GROUP</b> <b>RBS 24 ENERGY</b>				
 <b>RADIANT BRUCIATORI s.p.a.</b> 61025 Loc. Montelabbate (PS) - Via Pantanelli, 164 Tel. 0721/90791 (n. 4 linee r.a.) - Fax. 0721/9079299				Codice <b>26-00112</b>
				Revisione <b>00</b>



N°	Code	Description	Qty
1	31244LA	FLWSWITCH MICRO LEAD 3111-03	1
2	31289LA	POWER SUPPLY+ROOM THERMOSTAT CABLE SM20019	1
3	31291LA	FRAME-PRINTED CIRCUIT BOARDCABLE SM20019	1
4	31294LA	WATER PRESSURE SWITCH CABLESM20019	1
5	31377LA	D.H.W/HEATING SENSOR CABLE	1
6	31417LA	PREMIUM PUMP CABLE INTRSL	1
7	31421LA	STOCKO 5P. CONNECTOR	1
8	31458LA	MODULATOR CABLE SIT GAS VALVE	1
9	31459LA	PCB/SIT GAS VALVE/IGN.TRANSF.CABLE	1
10	40-00078	PRINTED CIRCUIT BOARD NORDGAS R3	1
11	45-00002	CONTROL PANEL R1	1
12	45-00008	2 BUTTONS GROUP R2 PANEL	2
13	45-00009	3 BUTTONS GROUP R2 PANEL	1
14	45-00013	CONTROL PANEL R3	1
15	64091LA	CONTROL PANEL TERMINAL BOARD COVER OBLO' 1380062	1
16	64092LA	CONTROL PANEL BACK PLATE OBLO' - 138006	1

Disegnatore	Rev.	data revisione	Autore revisione	Descrizione revisione
riccardo.baiocchi				
Modificato				
crislian.pozzaqlin				
Data di creazione	Scala	Materiale	Sp.	Peso (Kg)
30/10/2012	1:1			367.165
Note				
Descrizione completa <b>CONTROL PANEL COMPLETE</b> <b>RBC/RBS 24 ENERGY - R3</b>				
 <b>RADIANT BRUCIATORI s.p.a.</b> 61025 Loc. Montelabbate (PS) - Via Pantanelli, 164 Tel. 0721/90791 (n. 4 linee r.a.) - Fax. 0721/9079299				Codice <b>41-00051</b> Revisione <b>00</b>