



SPARE PARTS PRICE LIST

Model R - RCM - RS - RSF

WALL HUNG BOILER

COMFORT
Slim

Model RMAS

WALL HUNG BOILER WITH HOT WATER STORAGE CYLINDER

MAXICOMFORT
Auto-diagnostica

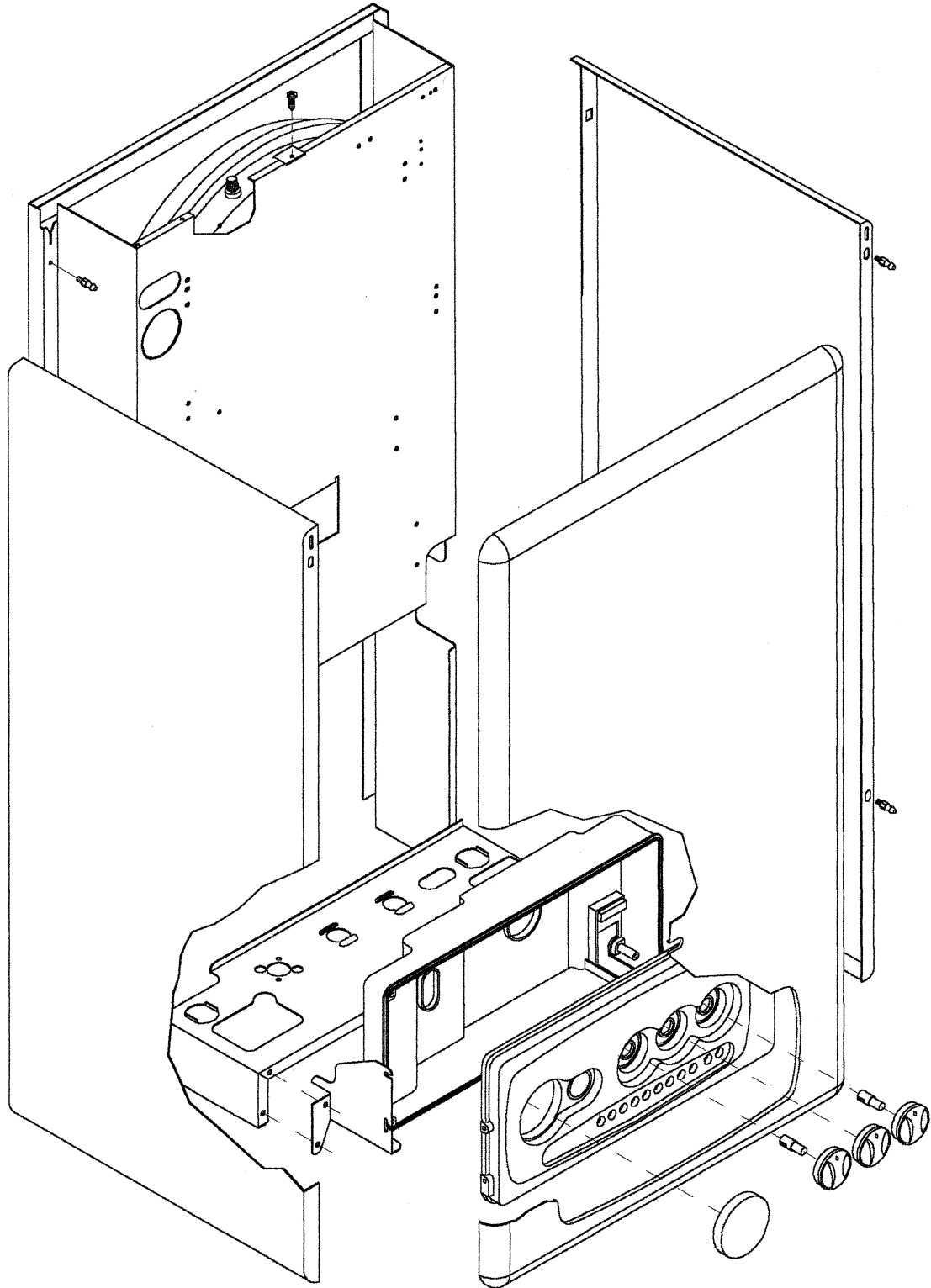
▶ CE 0063

ENGLISH

COMFORT
Slim

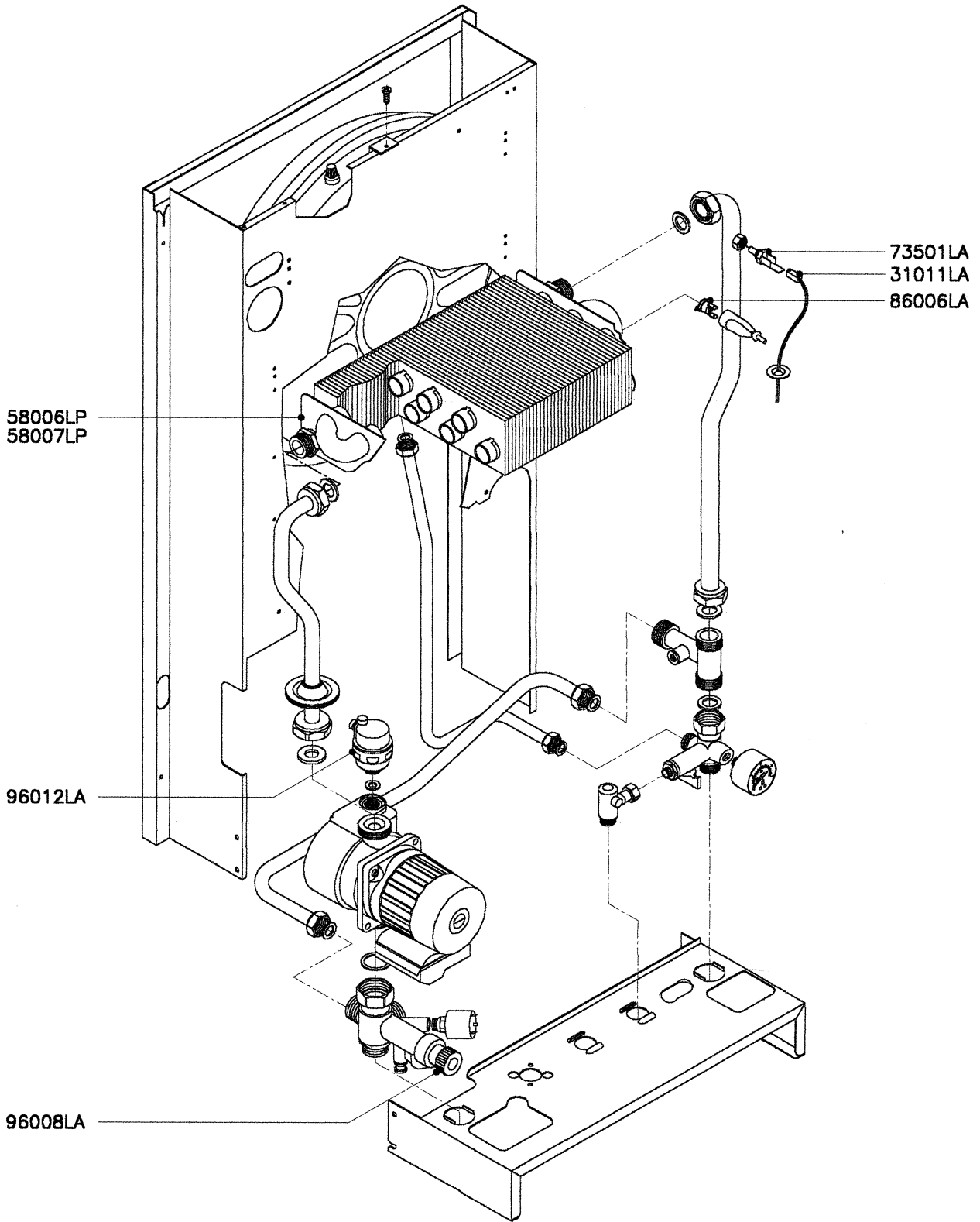
FRAME + CASING COMPONENTS

Wall hung, room sealed, electronic ignition boiler



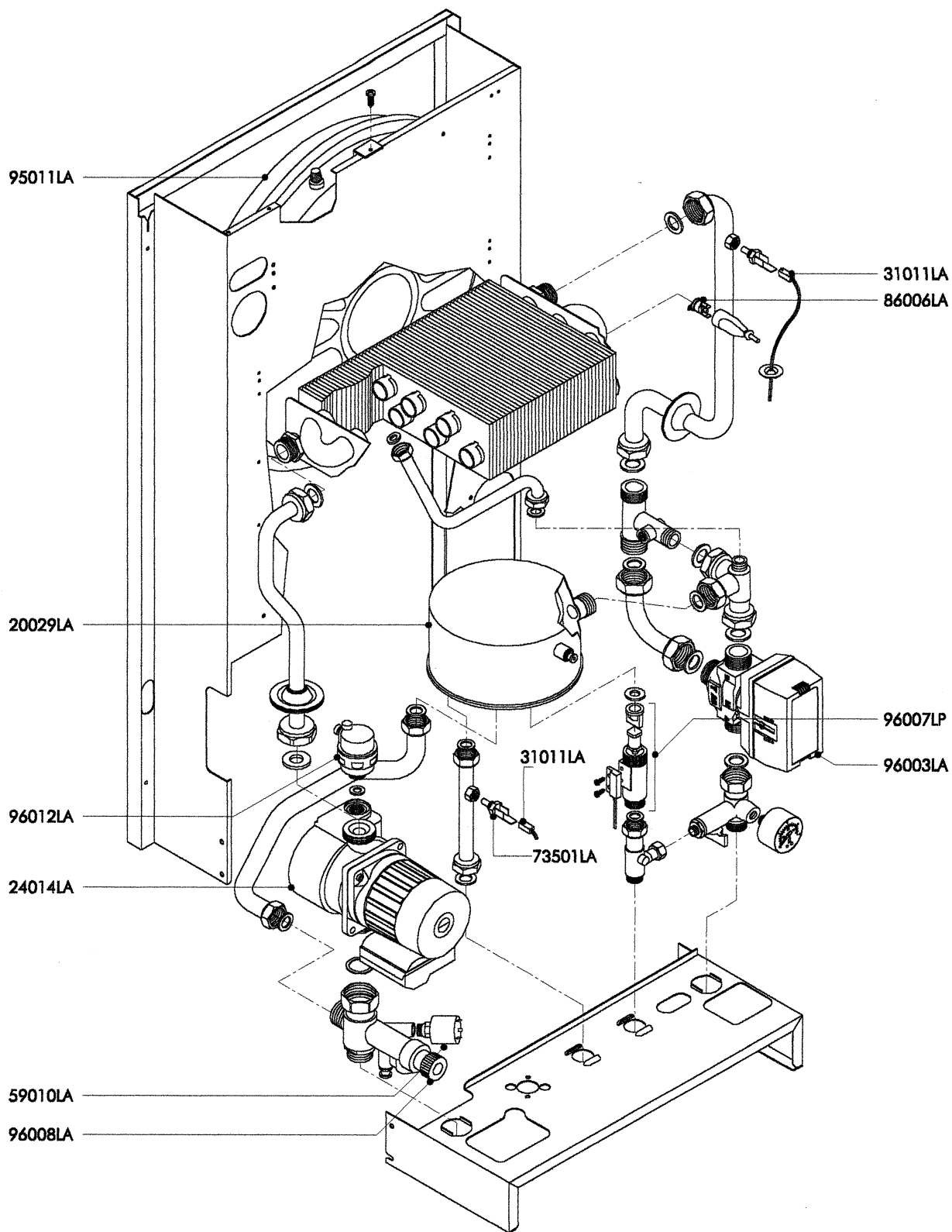
HYDRAULIC SYSTEM

Wall hung boiler



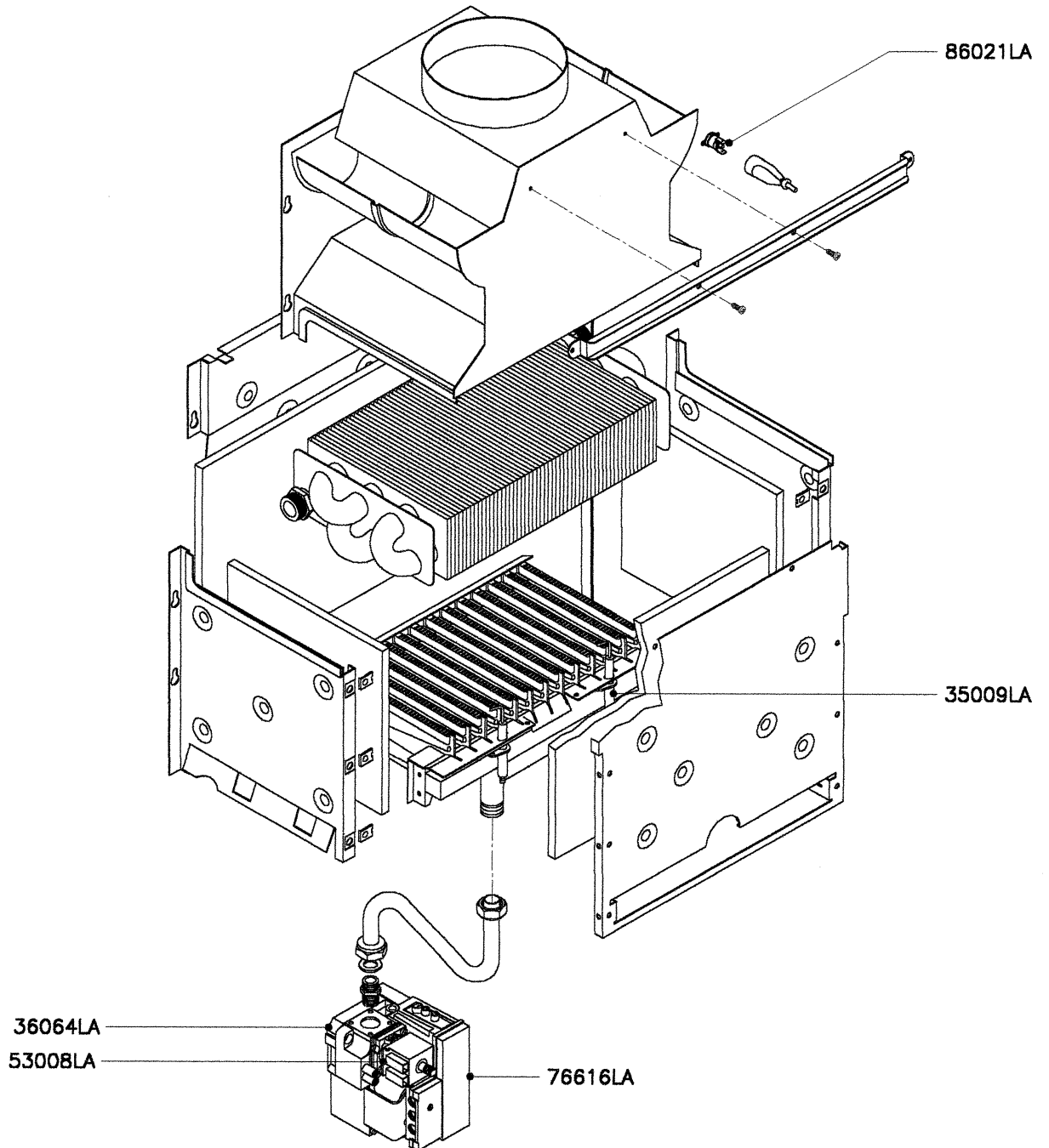
COMPONENTI IMPIANTO IDRICO

Wall hung boiler with domestic hot water



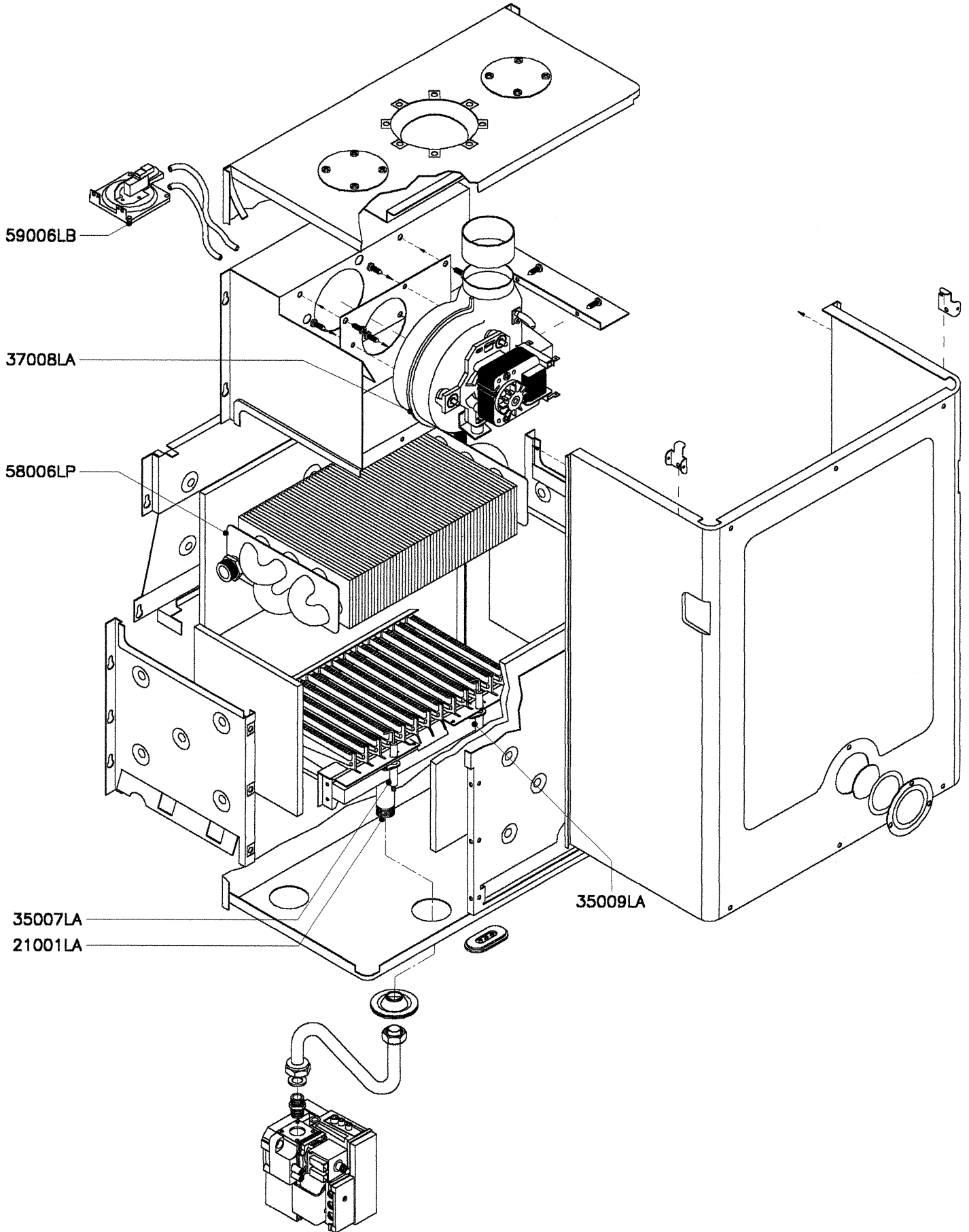
THERMAL SYSTEM

Wall hung boiler

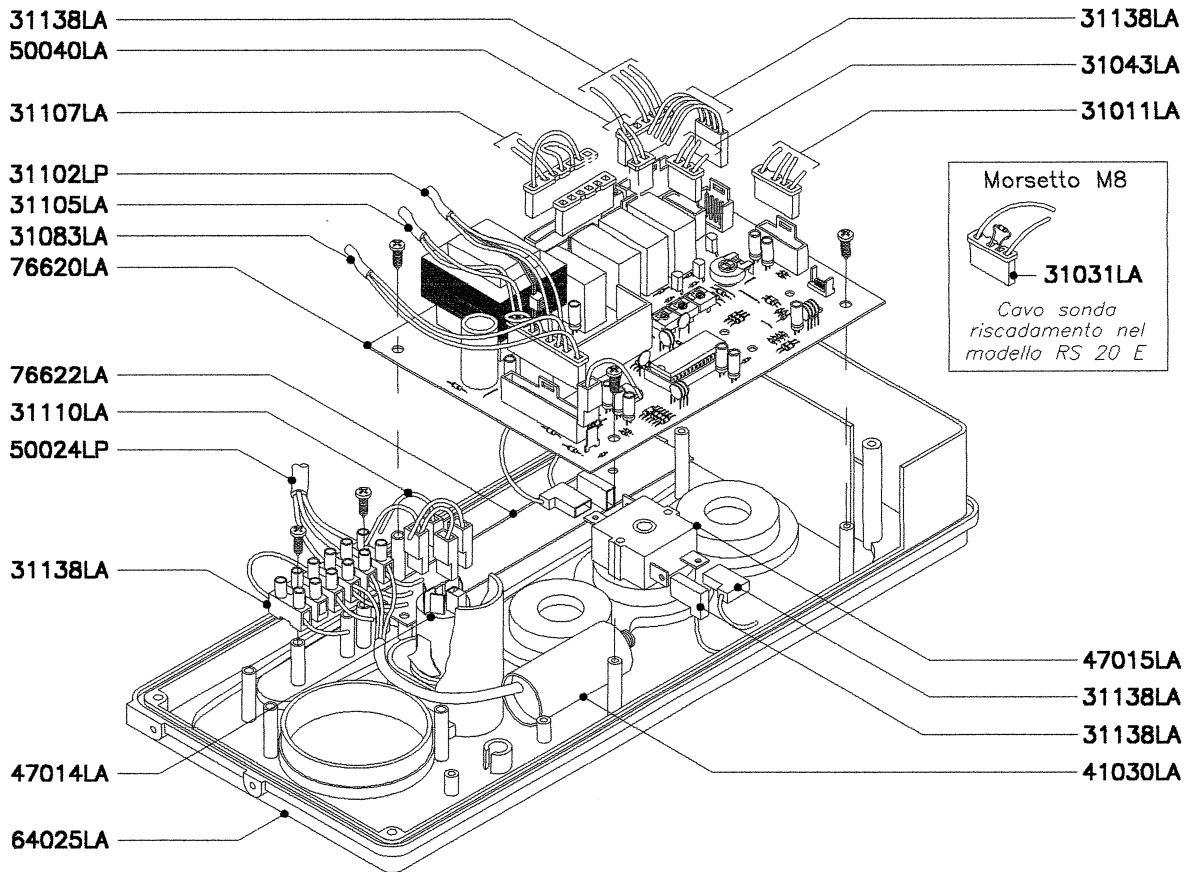


THERMAL SYSTEM

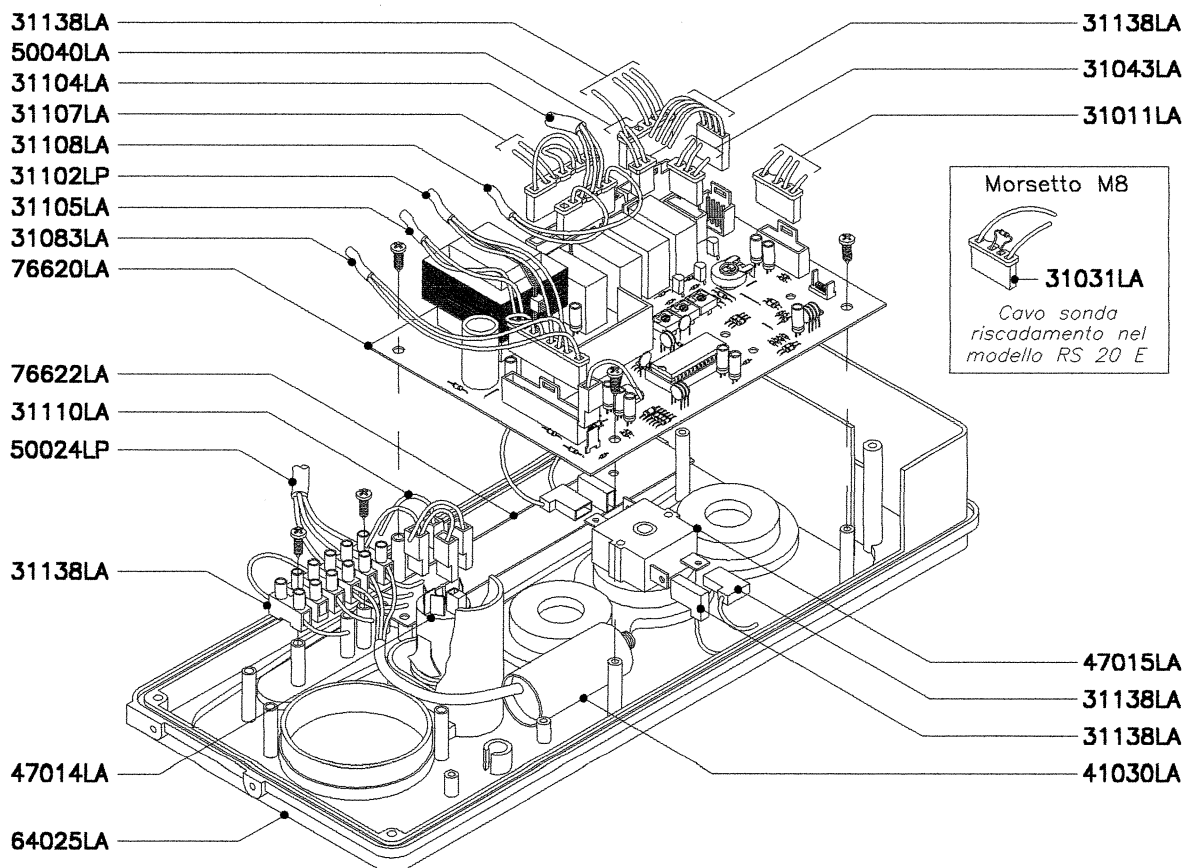
Wall hung , room sealed, electronic ignition boiler



Camera Aperta Accensione Elettronica



Camera Stagna Accensione Elettronica



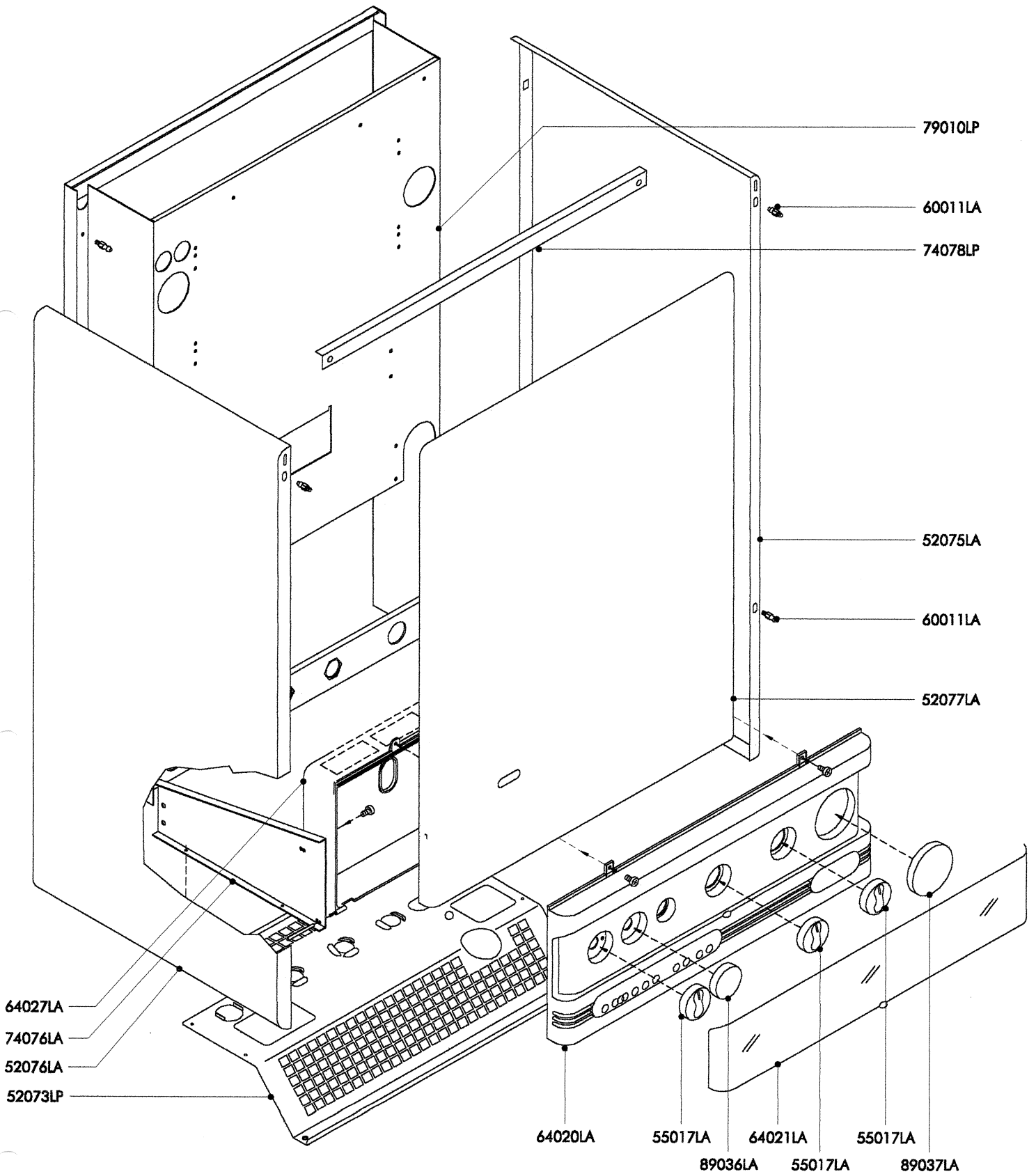
SPARE PARTS SHORT LIST – SLIM models

n°	CODE	DESCRIPTION	R 20		RS 20		RS 24		RCM20		RSF 20		RSF
			P	E	P	E	P	E	P	E	P	E	P
1	58006LP	MAIN HEAT EXCHANGER Mod. 20.000 - 63 A	✓	✓	✓	✓			✓	✓	✓	✓	
	58007LP	MAIN HEAT EXCHANGER Mod. 24.000 - 66 A					✓	✓					✓
2	36001LA	PILOT GAS VALVE V4600 C 1029	✓		✓		✓		✓		✓		✓
3	36064LA	ELECTRONIC GAS VALVE VK4105 A 1035B		✓		✓		✓		✓		✓	
4	76616LA	ELECTRONIC IGNITION BOARD S4565 A 2019		✓		✓		✓		✓		✓	
5	53008LA	GAS VALVE MODULATOR 12V mod. 2001	✓	✓	✓	✓	✓	✓	✓	✓	✓	✓	✓
6	76623LA	PRINTED CIRCUIT BOARD RAMIRE 2 SM 20012	✓	✓	✓	✓	✓	✓	✓	✓	✓	✓	✓
7	76622LA	INDICATORS P.C.B. RAVI 2 CE	✓	✓	✓	✓	✓	✓	✓	✓	✓	✓	✓
8	73501LA	D.H.WATER – HEATING 1/8" SENSOR	✓	✓	✓	✓	✓	✓	✓	✓	✓	✓	✓
9	31011LA	D.H.W. – HEATING SENSOR WIRE							✓	✓	✓	✓	✓
10	31031LA	HEATING SENSOR WIRE	✓	✓	✓	✓	✓	✓					
11	88001LA	IGNITION TRANSFORMER AC89725484	✓		✓		✓		✓		✓		✓
12	20029LA	D.H. WATER EXCHANGER SLIM PC21GSV010	✓	✓	✓	✓	✓	✓	✓	✓	✓	✓	✓
13	24014LA	CIRCULATING PUMP W/ AIR VENT DYL30-15P-H6K	✓	✓	✓	✓	✓	✓	✓	✓	✓	✓	✓
	24013LA	CIRCULATING PUMP W/ AIR VENT DYL50-15P-H6K	✓	✓	✓	✓	✓	✓	✓	✓	✓	✓	✓
14	96008LA	3 BAR PRESSURE RELIEF VALVE 1/2"	✓	✓	✓	✓	✓	✓	✓	✓	✓	✓	✓
15	59010LA	WATER PRESSURE SWITCH 1/8"	✓	✓	✓	✓	✓	✓	✓	✓	✓	✓	✓
16	96012LA	AUTOMATIC AIR VENT VALVE 5020 3/8"	✓	✓	✓	✓	✓	✓	✓	✓	✓	✓	✓
17	95011LA	8 LT. EXPANSION TANK W/BRACKET	✓	✓	✓	✓	✓	✓	✓	✓	✓	✓	✓
18	96007LA	ELECTRONIC FLOWSWITCH - 1/2" CONNECTIONS							✓	✓	✓	✓	✓
19	37008LA	EXHAUST FAN 230V			✓	✓	✓	✓			✓	✓	✓
20	59006LB	AIR PRESSURE SWITCH CE C6065AH1095			✓	✓	✓	✓			✓	✓	✓
21	21001LA	GAS BURNER 13 R. 1,25 NATURAL GAS	✓	✓	✓	✓	✓	✓	✓	✓	✓	✓	✓
	21002LA	GAS BURNER 13 R. 0,75 L.P.G.	✓	✓	✓	✓			✓	✓	✓	✓	
	21004LA	GAS BURNER 13 R. 0,77 L.P.G.					✓	✓					✓
22	21013LA	NAT. GAS PILOT ASSEMBLY BRACKET PA525/27.2	✓		✓		✓		✓		✓		✓
	21014LA	L.P.G. PILOT ASSEMBLY BRACKET PA525/22.1	✓		✓		✓		✓		✓		✓
23	86006LA	SAFETY THERMOSTAT 95°C WATER		✓		✓		✓		✓		✓	
24	86021LA	FLUE SAFETY THERMOSTAT 75°C W/ MANUAL RESET		✓					✓				
25	87001LA	THERMOCOUPLE W/ WASHER FB11/1 105			✓		✓				✓		✓
26	87007LA	THERMOCOUPLE W/ 2 THERMOSTATS 105/75	✓						✓				
27	35008LA	IGNITION ELECTRODE x PILOT	✓		✓		✓		✓		✓		✓
28	35007LA	IGNITION ELECTRODE x ELECTRONIC		✓		✓		✓		✓		✓	
29	35009LA	IONISATION ELECTRODE		✓		✓		✓		✓		✓	
30	47015LA	3 POSITION COMMUTATOR SWITCH R11C2X401	✓	✓	✓	✓	✓	✓	✓	✓	✓	✓	✓
31	47014LA	LOCK-OUT INDICATOR 60118C00		✓		✓		✓		✓		✓	
32	96003LA	DIVERTER VALVE CE Mod. VC6012 MG6000							✓	✓	✓	✓	✓
33	55514LA	DIVERTER VALVE MOTORE Mod. V6012							✓	✓	✓	✓	✓
34	31091LA	MICRO – PILOT GAS VALVE LEAD	✓		✓		✓		✓		✓		✓
35	31054LA	IGNITION ELECTRODE CABLE x ELECTRONIC		✓		✓		✓		✓		✓	
36	31055LA	IONISATION ELECTRODE CABLE		✓		✓		✓		✓		✓	
37	31024LA	IGNITION ELECTRODE CABLE x PILOT	✓		✓		✓		✓		✓		✓

MAXICOMFORT
Auto-diagnostics

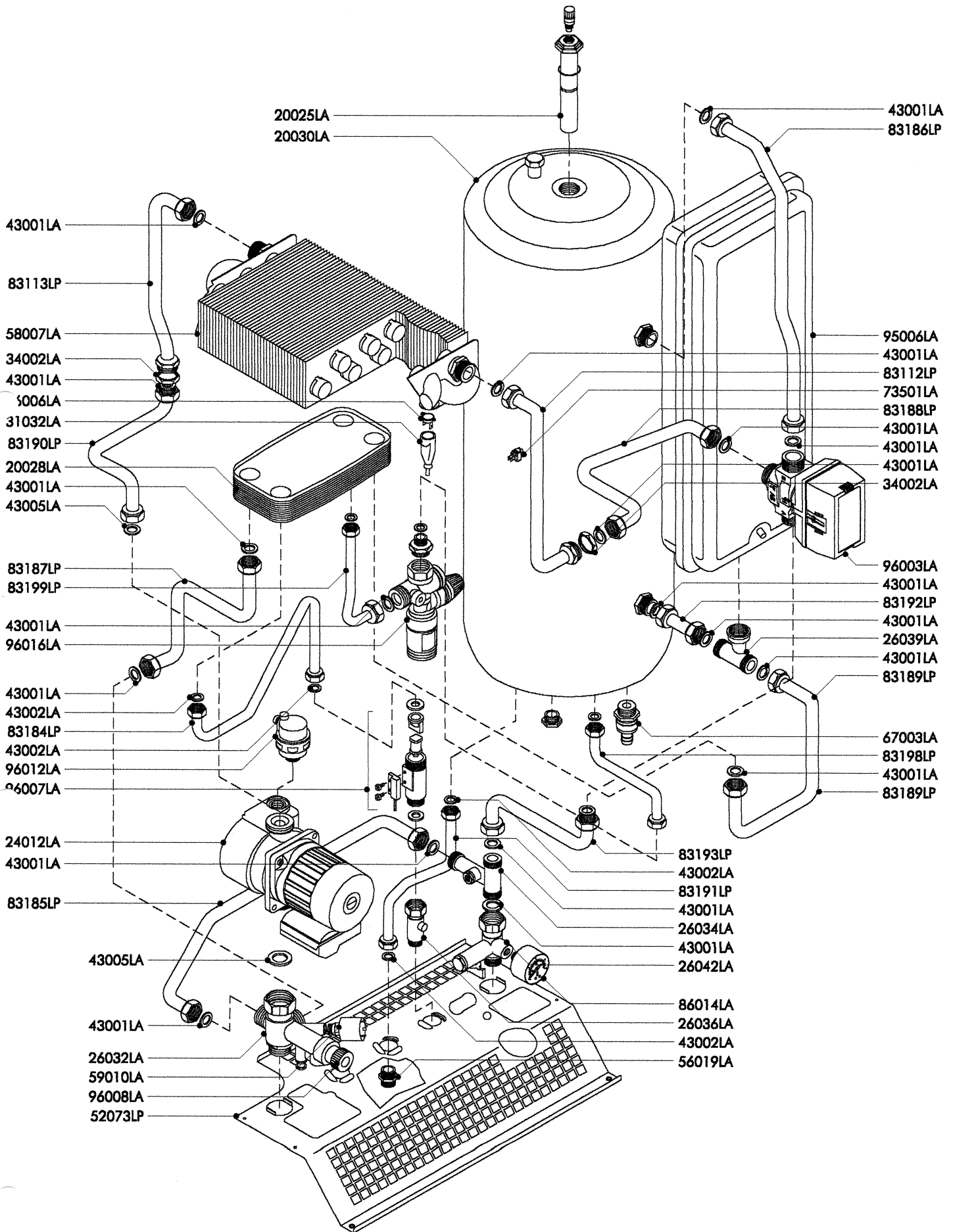
FRAME + CASING COMPONENTS

Wall hung boiler with domestic hot water storage cylinder



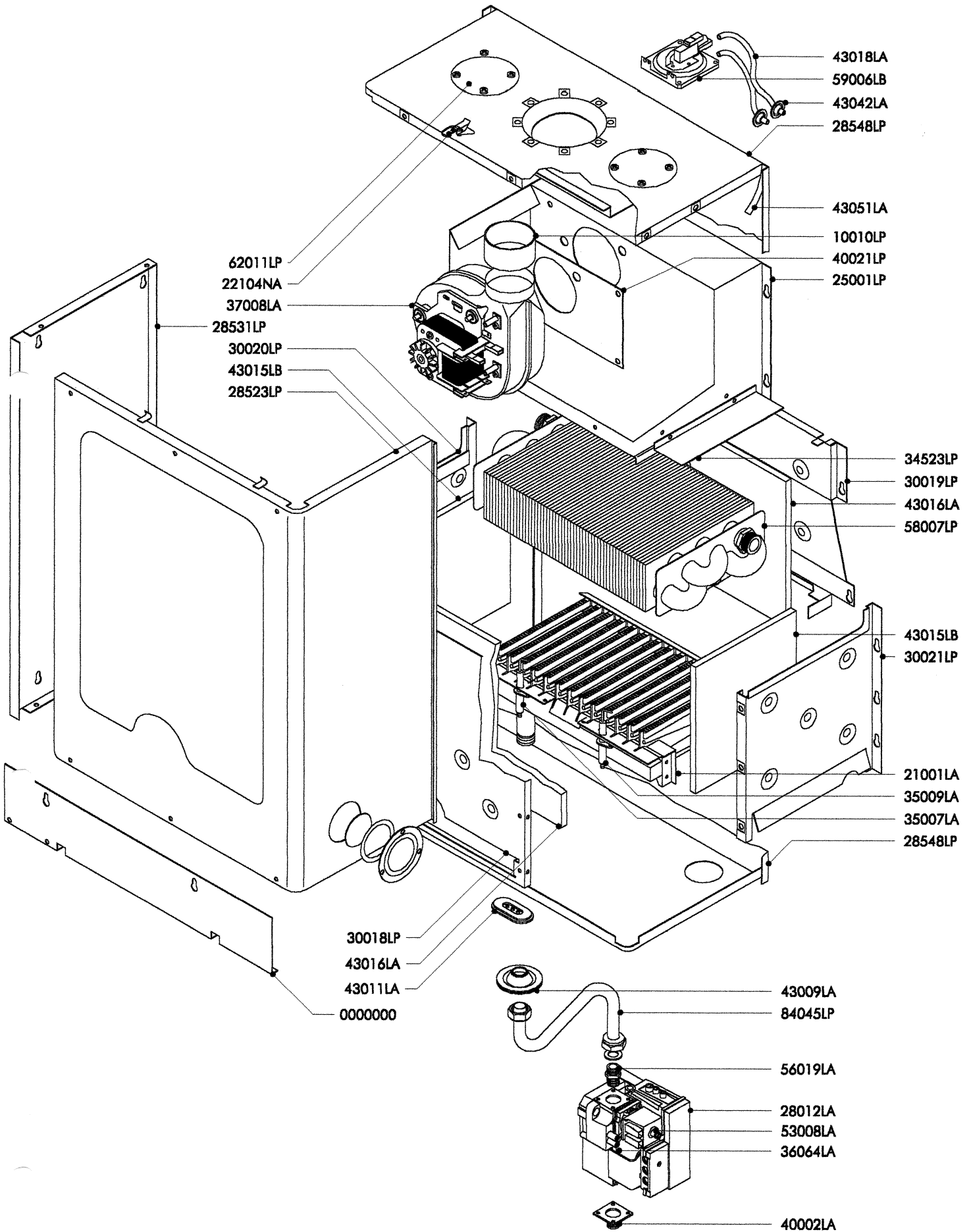
HYDRAULIC SYSTEM

Wall Hung, Room Sealed, Electronic Ignition Boiler with Domestic Hot Water Storage Cylinder



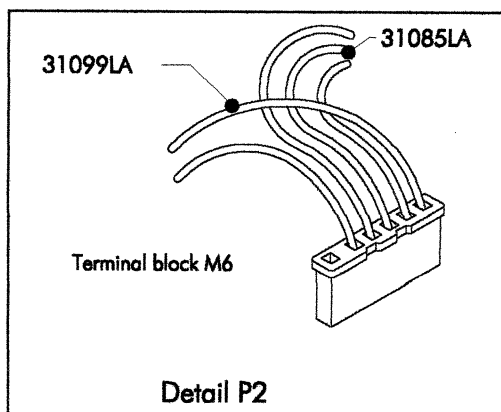
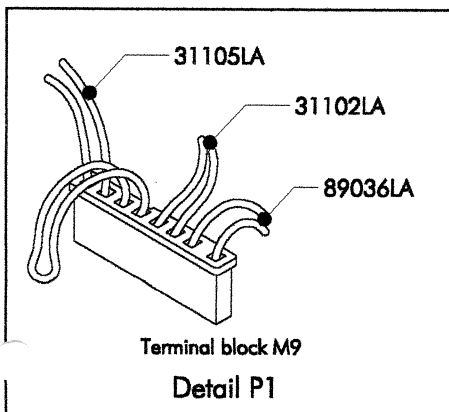
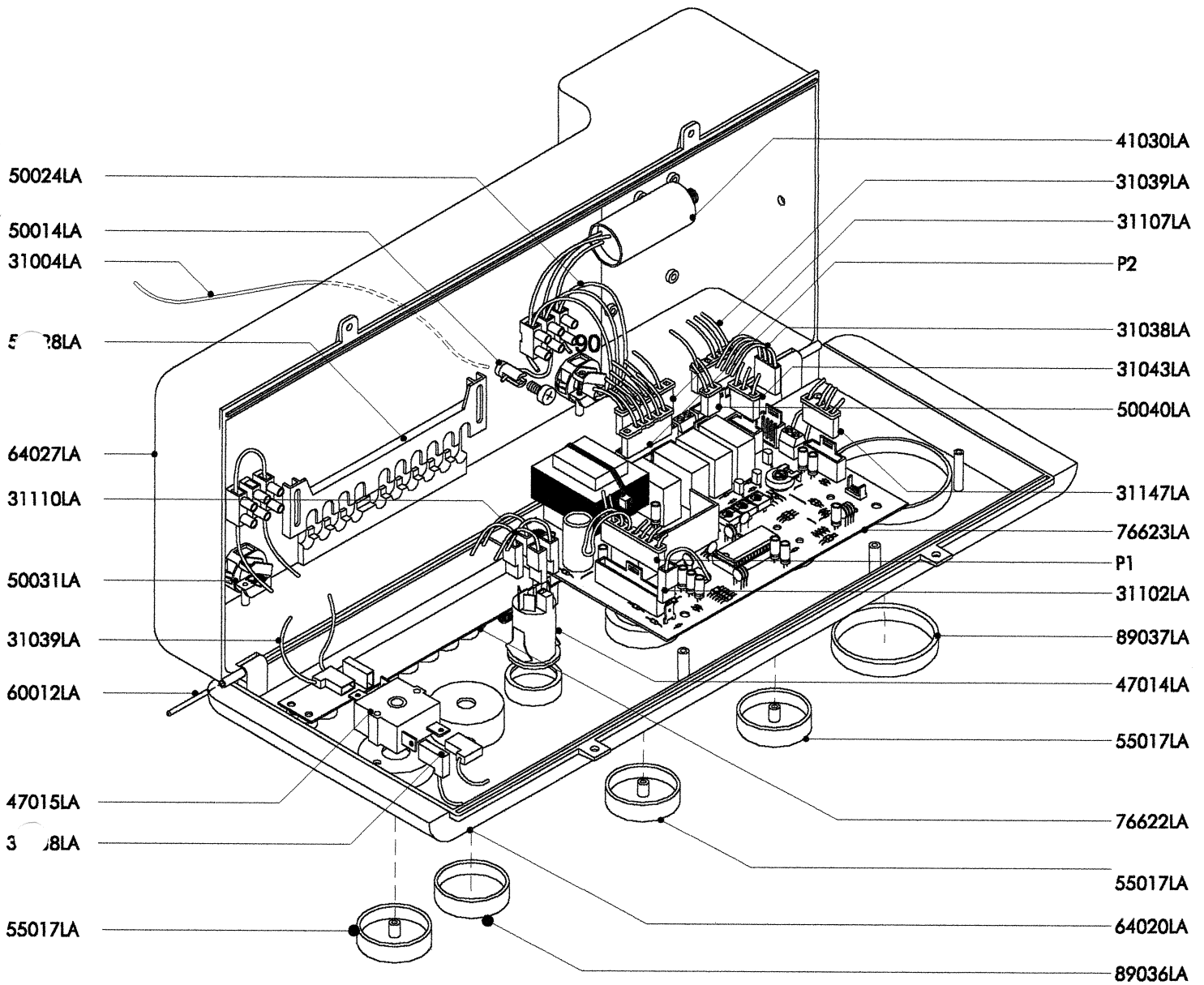
THERMAL SYSTEM

Wall Hung, Room Sealed, Electronic Ignition Boiler with Domestic Hot Water Storage Cylinder



ELECTRIC SYSTEM - PANEL

Wall Hung Room Sealed Boiler with Domestic Hot Water Storage Cylinder



CODE	DESCRIPTION
10010LP	EXHAUST FAN Ø60x32 COLLAR
20025LA	MAGNESIUM ANODE W / SIMPLETEST VALVE
20028LA	FLAT PLATE EXCHANGER
20030LA	Lt. 25 D.H. WATER STORAGE CYLINDER
21001LA	BURNER 13 R. 1.25 401030602
22104NA	ZINC PLATED LEVET HOOK
26042LA	FILLING GROUP – MAXICOMFORT GB TYPE
24012LA	CIRCULATING PUMP GOLD-V-CH6K W/AIR VENT
24013LA	HIGHER HEAD CIRCULATING PUMP DYL 50-15P-H6K W/AIR VENT
25001LP	FLUE HOOD CE
26032LA	PUMP MANIFOLD 1" 2811 MAXICOMFORT
26034LA	BY-PASS GROUP - MAXICOMFORT
26036LA	FLOWSWITCH CONNECTION
26039LA	CYLINDER-EXPANSION VESSEL "T" CONNECTION
28531LP	ROOM-SEAL CHAMBER LEFT SIDE PANEL
258 148LP	ROOM-SEAL CHAMBER BACK PIECE
28523LP	ROOM-SEAL CHAMBER COVER CE
30018LP	COMBUSTION CHAMBER FRONT PANEL CE
30019LP	COMBUSTION CHAMBER BACK PANEL CE
30020LP	COMBUSTION CHAMBER LEFT H. SIDE PANEL CE
30021LP	COMBUSTION CHAMBER RIGHT H. SIDE PANEL CE
31003LA	WATER PRESSURE SWITCH LEAD
31004LA	BG9432 EARTH CLAMP-FRAME LEAD
31032LA	ELECTR. SAFETY THERMOSTAT LEAD
31034LA	ID953 EL. GAS VALVE - PCB LEAD
31035LA	ID954 LOCK-OUT INDICATOT - RELEASE BUTTON LEAD
31038LA	CE9501 ROOM THERMOSTAT-SUMMER/WINTER LEAD
31039LA	CE9502 PCB SUPPLY CABLE
31040LA	CE9503 MODULATOR LEAD
31043LA	CE9506 DIVERTER VALVE LEAD 012
31056LA	IGNITION ELECTRODE LEAD E.RMA/S L.430
31057LA	IONISATION ELECTRODE LEAD E. RMA/S L.430
31085LA	AIR PRESSURE SWITCH LEAD
31099LA	ID9414 EXHAUST FAN MOTOR LEAD
31147LA	D.H.W.-HEATING SENSOR LEAD
34002LA	BRASS BACKNUT 3/4" E.30x5
34523LP	RIGHT EXTERNAL FLUE HOOD AIR DEFLECTOR - CE
35007LA	IGNITION ELECTRODE X ELECTRONIC E 0774527
35009LA	IONISATION ELECTRODE 0774929
36064LA	ELECTRONIC GAS VALVE VK4105 A1035
37008LA	EXHAUST FAN 230V G2K097-AA29-24
40021LP	EXHAUST FAN Ø 80 FLANGE CE
40002LA	GAS VALVE PIPE FLANGE 32X32 Ø4
28012LA	ELECTRONIC IGNITION BOARD COVER

41030LA	SUPPRESSOR (Tv - Radio) TMB33.47.1 FOR EL. BOILERS
43001LA	WASHER Ø 23.5x17x2 3/4"
43002LA	WASHER Ø 18.5x10.2x2 1/2"
43005LA	WASHER Ø 30x23x2 1" AFM34
43009LA	FB10/1 SYLICON RED WASHER / ROUND TYPE
43010LA	FB11/1 SYLICON RED WASHER / CONICAL TYPE
43011LA	FB12/1 SYLICON RED WASHER / OVAL TYPE
43015LB	CERAMIC FIBRE 200x184 CE
43016LA	CERAMIC FIBRE 210x275 CE
43018LA	SYLICON TRANSPARENT PIPE Ø8x4
43026LA	CABLE FIXING NEOPRENE WASHER 125x21x5
43045LA	ELECTR. GAS VALVE PIPE WASHER 33x33
43051LA	SELF-ADHESIVE AERSTOP WASHER 15x2 R/SEAL CHAMBER
43042LA	RED SYLICON WASHER D.8
43113LA	FLOWSWITCH RUBBER WASHER Ø 22x10,5x3 EPDM
46506NA	BACKPLATE M4 INSERTION PIN 96134500100
47014LA	LOCK-OUT INDICATOR SP602NC1G0000
47015LA	3 POSITION COMMUTATOR SWITCH R11C2X401
50014LA	EARTH CLAMP Ø8X23 4MA
50024LA	ELECTRIC PLUG SCHUKO LIN.3x0.75 258/34180551
50028LA	PANEL BACKPLATE CABLE FIXING S209 S01/112 SIC/AUT
50031LA	PANEL BACKPLATE FIXING PA107 00970590
50040LA	CIRCULATING PUMP LEAD
52073LA	LOWER PROTECTION GRID MAXICOMFORT
52075LA	RIGHT SIDE CASE PANEL - COMFORT RA0210
52076LA	LEFT SIDE CASE PANEL - COMFORT RA02 1
52077LA	FRONT SIDE CASE PANEL COMFORT RA0212
53008LA	GAS VALVE MODULATOR VG.12V MD20001
54016LA	FIXING SPRING FOR FITTINGS KIT
55017LA	COMFORT WHITE KNOB S2000 1
55514LA	DIVERTER VALVE VC6012 MOTOR
56019LA	½" NIPPLE E.24X29
57501LA	AIR PRESSURE POINT Ø6
57512LP	NEGATIVE AIR PRESSURE POINT VENTURI
58007LA	MAIN HEAT EXCHANGER 66A 24000 Kcal CE
59006LB	AIR PRESSURE SWITCH C6065AH1095 CE
59010LA	WATER PRESSURE SWITCH XP300 1/8" CE
60011LA	SELF-TAPPING PIN 23.5
60012LA	PANEL BRASS PIN Ø3x36
62011LP	Ø 80 HOLES CLOSING PLATE FOR R/S CHAMBER TOP CE
64020LA	COMFORT INSTRUMENT PANEL - WHITE
64021LA	COMFORT TRANSPARENT FRONT PANEL
64027LA	INSTRUMENT PANEL BACKPLATE - WHITE S209 S01/112
67003LA	½" DRAINING TAP
73501LA	HEATING SENSOR 1/8" M SO10051
74076LP	FRONT PANEL SUPPORT BRACKET RIGHT+LEFT

74078LP	COMFORT CASING FIXING BRACKET
76616LA	ELECTRONIC IGNITION BOARD CVI S4565A2019B
76623LA	PRINTED CIRCUIT BOARD RAMIRE3 230-240V
76622LA	INDICATORS P.C.B. RAVI2 CE SK06205
79010LP	BOILER FRAME
83112LP	HEAT EXCHANGER - ROOM SEAL CHAMBER COVER D.18 FLOW PIPE
83113LP	HEAT EXCHANGER -ROOM SEAL CHAMBER COVER D.18 RETURN PIPE
83184LP	COLD WATER INLET PIPE D.14
83185LP	BY-PASS – MANIFOLD D.18 PIPE
83186LP	DIVERTER VALVE – CYLINDER D.18 PIPE
83187LP	MANIFOLD – EXCHANGER D.18 PIPE
83188LP	ROOM SEAL CHAMBER COVER – DIVERTER VALVE D.18 PIPE
83189LP	EXCHANGER – CYLINDER “T” CONNECTION D.18 PIPE
83190LP	ROOM SEAL CHAMBER COVER – CIRCULATING PUMP D.18 PIPE
83191LP	D.H. WATER D.14 PIPE
83192LP	CYLINDER – “T” CONNECTION D.18 PIPE
83193LP	DIVERTER VALVE – BY PASS D.18 PIPE
83198LP	CYLINDER – SAFETY VALVE D.14 PIPE
83199LP	EXCHANGER – SAFETY VALVE D.14 PIPE
84045LP	ELECTR. GAS VALVE Ø14 PIPE MAXOCOMFORT
86006LA	LIMIT THERMOSTAT 95°C
86014LA	WATER PRESSURE GAUGE M3A-ABS 40 0-4 PB120417
89036LA	COMFORT SMALL PANEL CAP
89037LA	COMFORT BIG PANEL CAP
95006LA	10 LT. EXPANSION TANK 490X200
96003LA	DIVERTER VALVE CE VC6012MG6000
96007LP	ELECTRONIC FLOWSWITCH
96008LA	3 BAR PRESSURE RELIEF VALVE
96012LA	AIR VENT VALVE 3/8" 5020
96016LA	D.H.W. CYLINDER SAFETY VALVE 7 ATE