

| Pos.   | Code | Description:                             | U.M.                | Qt.                         |
|--|------|--|---------------------|-----------------------------|
|  |      | Description:                             | Date: 25.06.2007    | A991A312G101 methane        |
|  |      | <b>Wall hung boiler - spare parts</b>    | Scale: --           | A991B312G101 L.P.G.         |
|  |      | <b>FRAME and CASING COMPONENTS</b>       | Department: tecnico |                             |
|  |      | Object / model:                          | Designed by:        | heavy oil                   |
|  |      | <b>mod. RBS 24 Elite</b>                 | Controlled by:      |                             |
|  |      | <i>room sealed - electronic ignition</i> | Approved by:        | Sheet no.: <b>B0631_AE1</b> |
| <small>ALL DESCRIPTIONS AND ILLUSTRATIONS CONTAINED IN THIS LEAFLET HAVE BEEN CAREFULLY PREPARED BUT WE RESERVE THE RIGHT TO MAKE CHANGES AND IMPROVEMENTS IN OUR PRODUCTS WHICH MAY AFFECT THE ACCURACY OF THE INFORMATION CONTAINED IN THIS LEAFLET, E + OE ALL RIGHTS RESERVED. NO PART OF THIS DOCUMENT MAY BE REPRODUCED, SAVED IN STORAGE SYSTEMS OR TRANSMITTED IN ANY FORM OR BY ANY MEANS, WHETHER ELECTRONIC, MECHANICAL, PHOTOCOPIING, RECORDING OR OTHERS, WITHOUT THE MANUFACTURERS PRIOR AUTHORISATION IN WRITING.</small> |      |  |                     |                             |

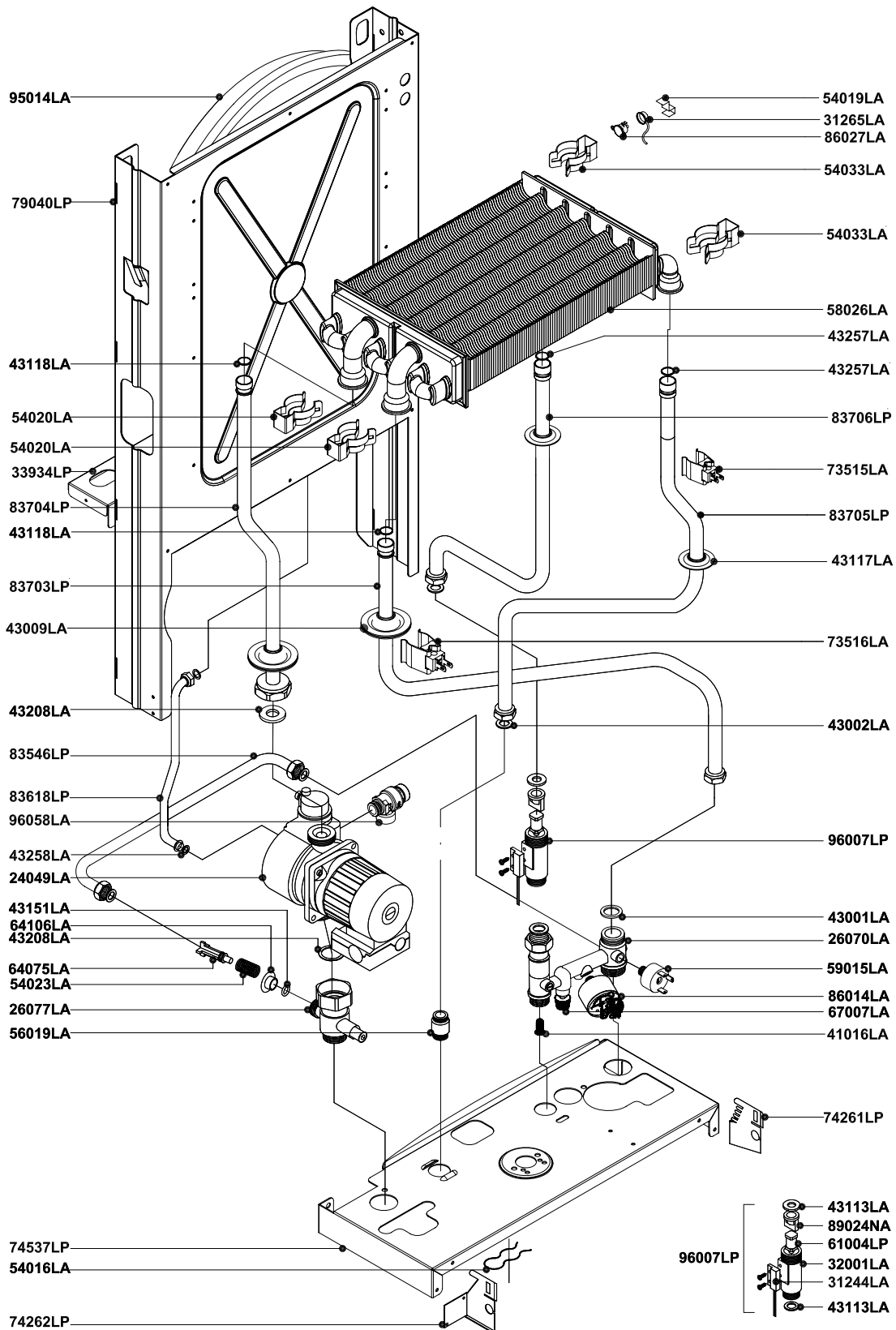


RADIANT BRUCIATORI S.p.A.

Rev.

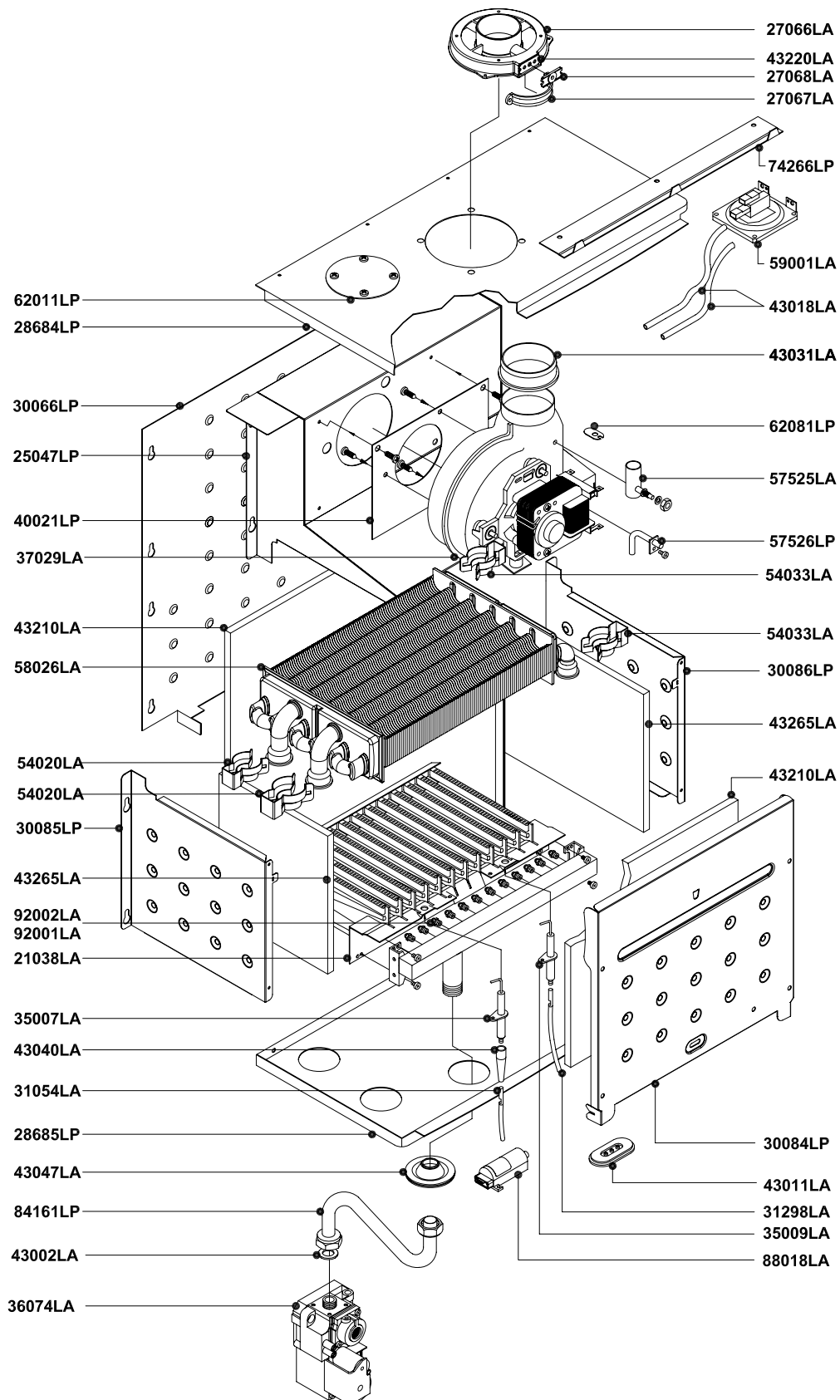
Description

Date



| Pos. | Code | Description:  | U.M.         | Qt.              |
|------|------|---|--------------|------------------|
|      |      | Description:<br><b>Wall hung boiler - spare parts</b><br><b>HYDRAULIC SYSTEM</b>        |              |                  |
|      |      | Object / model:<br><b>mod. RBS 24 Elite</b><br><i>room sealed - electronic ignition</i> |              |                  |
|      |      | Date: 25.06.2007  | A991A312G101 | methane          |
|      |      | Scale: --   | A991B312G101 | L.P.G.           |
|      |      | Department: tecnico   |              |                  |
|      |      | Designed by:  |              | heavy oil        |
|      |      | Controlled by:  |              |                  |
|      |      | Approved by:  | Sheet no.:   | <b>B0632_AE1</b> |

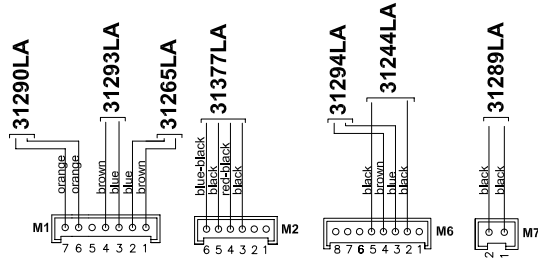
ALL DESCRIPTIONS AND ILLUSTRATIONS CONTAINED IN THIS LEAFLET HAVE BEEN CAREFULLY PREPARED BUT WE RESERVE THE RIGHT TO MAKE CHANGES AND IMPROVEMENTS IN OUR PRODUCTS WHICH MAY AFFECT THE ACCURACY OF THE INFORMATION CONTAINED IN THIS LEAFLET, E + OE ALL RIGHTS RESERVED. NO PART OF THIS DOCUMENT MAY BE REPRODUCED, SAVED IN STORAGE SYSTEMS OR TRANSMITTED IN ANY FORM OR BY ANY MEANS, WHETHER ELECTRONIC, MECHANICAL, PHOTOCOPIING, RECORDING OR OTHERS, WITHOUT THE MANUFACTURERS PRIOR AUTHORISATION IN WRITING.



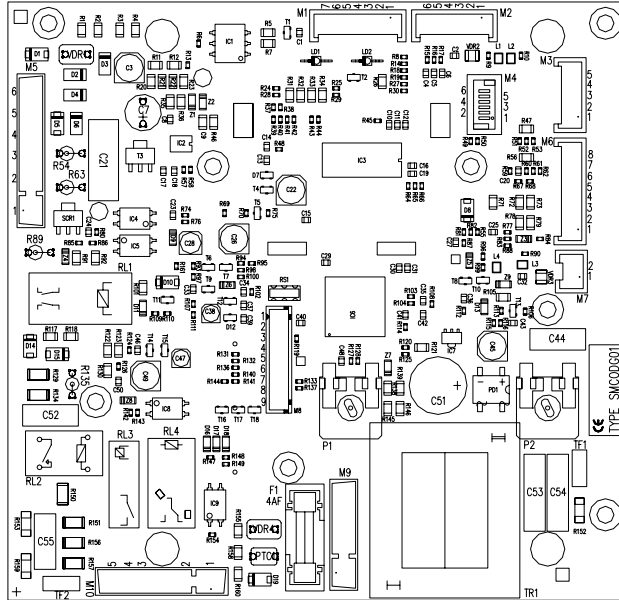
| Pos.   | Code | Description:                             |                     | U.M.         | Qt.              |
|--|------|--|---------------------|--------------|------------------|
|  |      | Description:                             | Date: 25.06.2007    | A991A312G101 | methane          |
|  |      | <b>Wall hung boiler - spare parts</b>    | Scale: ---          | A991B312G101 | L.P.G.           |
|  |      | <b>THERMAL SYSTEM</b>                    | Department: tecnico |              |                  |
|  |      | Object / model:                          | Designed by:        |              | heavy oil        |
|  |      | <b>mod. RBS 24 Elite</b>                 | Controlled by:      |              |                  |
|  |      | <i>room sealed - electronic ignition</i> | Approved by:        | Sheet no.:   | <b>B0633_AE1</b> |
| <small>ALL DESCRIPTIONS AND ILLUSTRATIONS CONTAINED IN THIS LEAFLET HAVE BEEN CAREFULLY PREPARED BUT WE RESERVE THE RIGHT TO MAKE CHANGES AND IMPROVEMENTS IN OUR PRODUCTS WHICH MAY AFFECT THE ACCURACY OF THE INFORMATION CONTAINED IN THIS LEAFLET, E + OE ALL RIGHTS RESERVED. NO PART OF THIS DOCUMENT MAY BE REPRODUCED, SAVED IN STORAGE SYSTEMS OR TRANSMITTED IN ANY FORM OR BY ANY MEANS, WHETHER ELECTRONIC, MECHANICAL, PHOTOCOPIING, RECORDING OR OTHERS, WITHOUT THE MANUFACTURERS PRIOR AUTHORISATION IN WRITING.</small> |      |  |                     |              |                  |



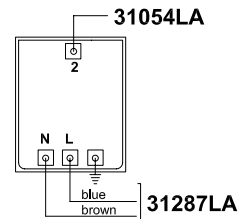
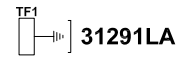
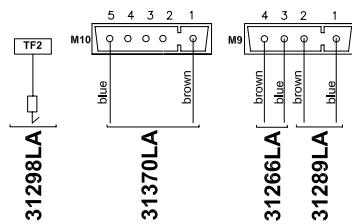
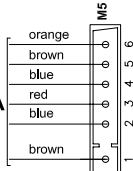
RADIANT BRUCIATORI S.p.A.



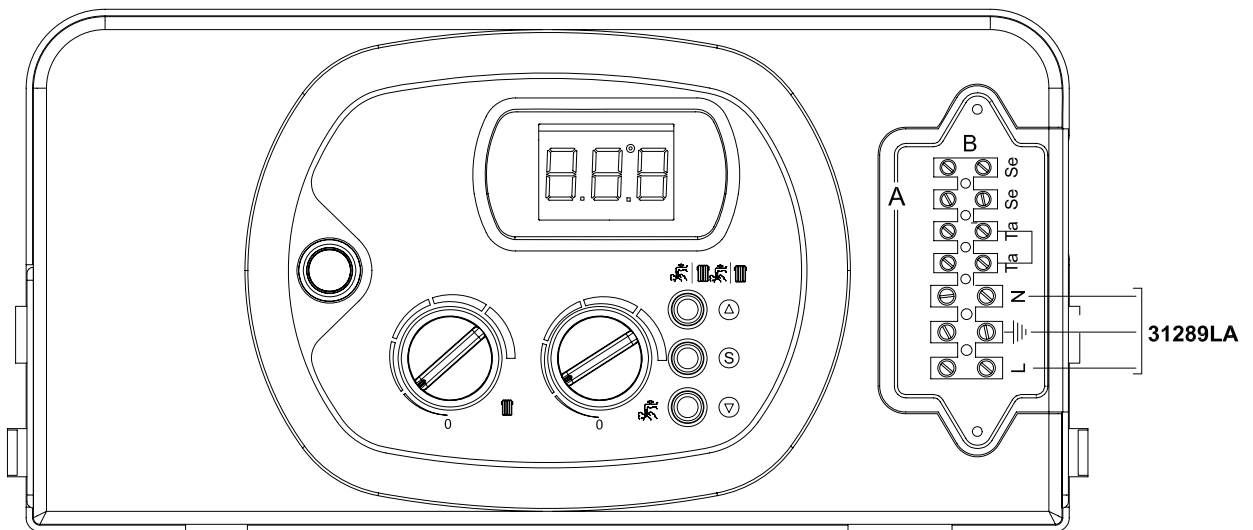
PRINTED CIRCUIT BOARD SM20020 (COD. 76708LA)



31287LA



TRANSFORMEN 697250 64  
COD. 88018LA



| Pos. | Code | Description:  | U.M.         | Qt.              |
|------|------|---|--------------|------------------|
|      |      | Description:<br><b>Wall hung boiler - spare parts</b><br><b>ELECTRIC SYSTEM</b>         |              |                  |
|      |      | Object / model:<br><b>mod. RBS 24 Elite</b><br><b>room sealed - electronic ignition</b> |              |                  |
|      |      | Date: 25.06.2007  | A991A312G101 | methane          |
|      |      | Scale: --   | A991B312G101 | L.P.G.           |
|      |      | Department: tecnico   |              |                  |
|      |      | Designed by:  |              | heavy oil        |
|      |      | Controlled by:  |              |                  |
|      |      | Approved by:  | Sheet no.:   | <b>B0634_AE1</b> |

ALL DESCRIPTIONS AND ILLUSTRATIONS CONTAINED IN THIS LEAFLET HAVE BEEN CAREFULLY PREPARED BUT WE RESERVE THE RIGHT TO MAKE CHANGES AND IMPROVEMENTS IN OUR PRODUCTS WHICH MAY AFFECT THE ACCURACY OF THE INFORMATION CONTAINED IN THIS LEAFLET, E + OE ALL RIGHTS RESERVED. NO PART OF THIS DOCUMENT MAY BE REPRODUCED, STORED IN STORAGE SYSTEMS OR TRANSMITTED IN ANY FORM OR BY ANY MEANS, WHETHER ELECTRONIC, MECHANICAL, PHOTOCOPIING, RECORDING OR OTHERWISE, WITHOUT THE MANUFACTURER'S PRIOR AUTHORIZATION IN WRITING.