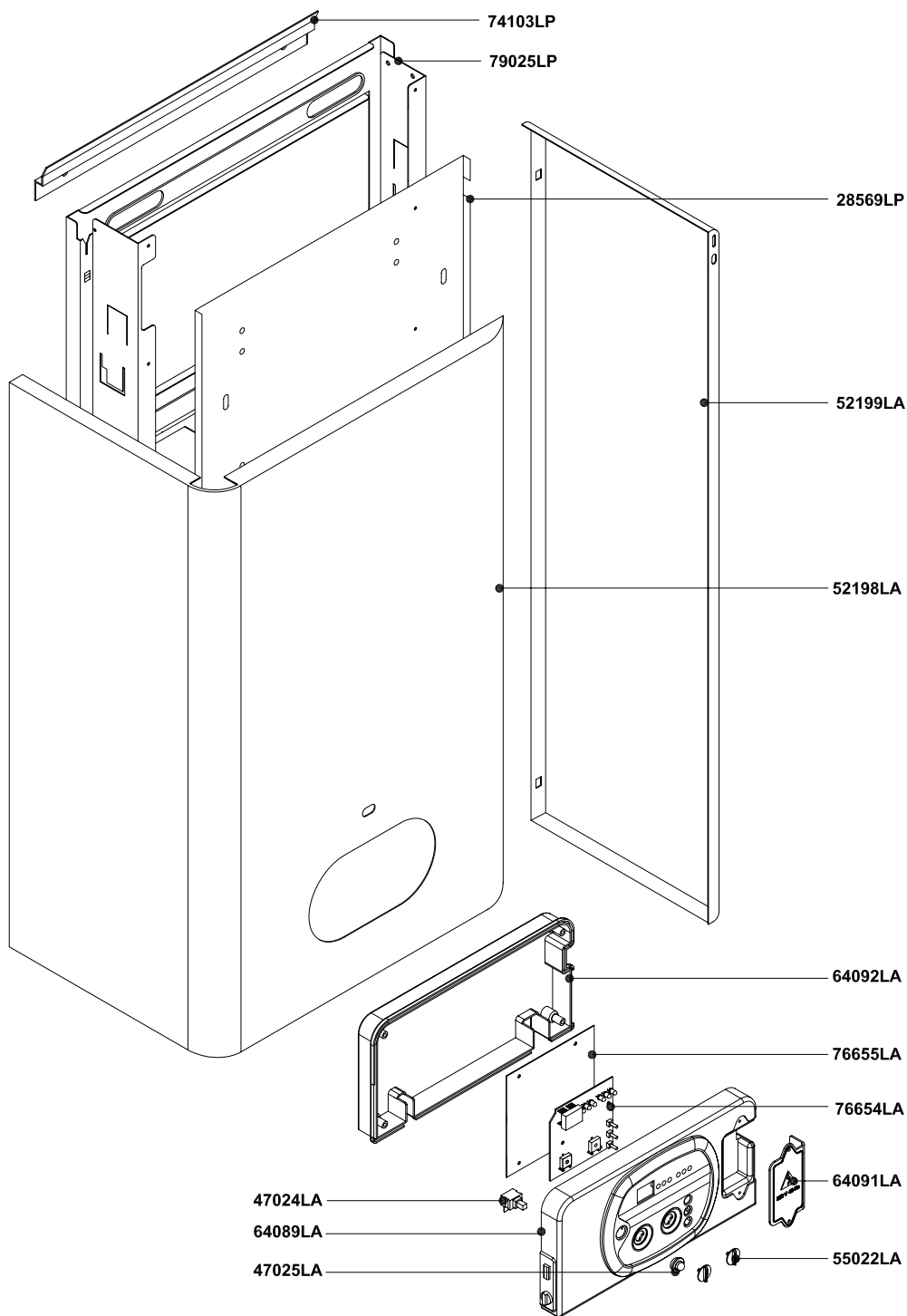


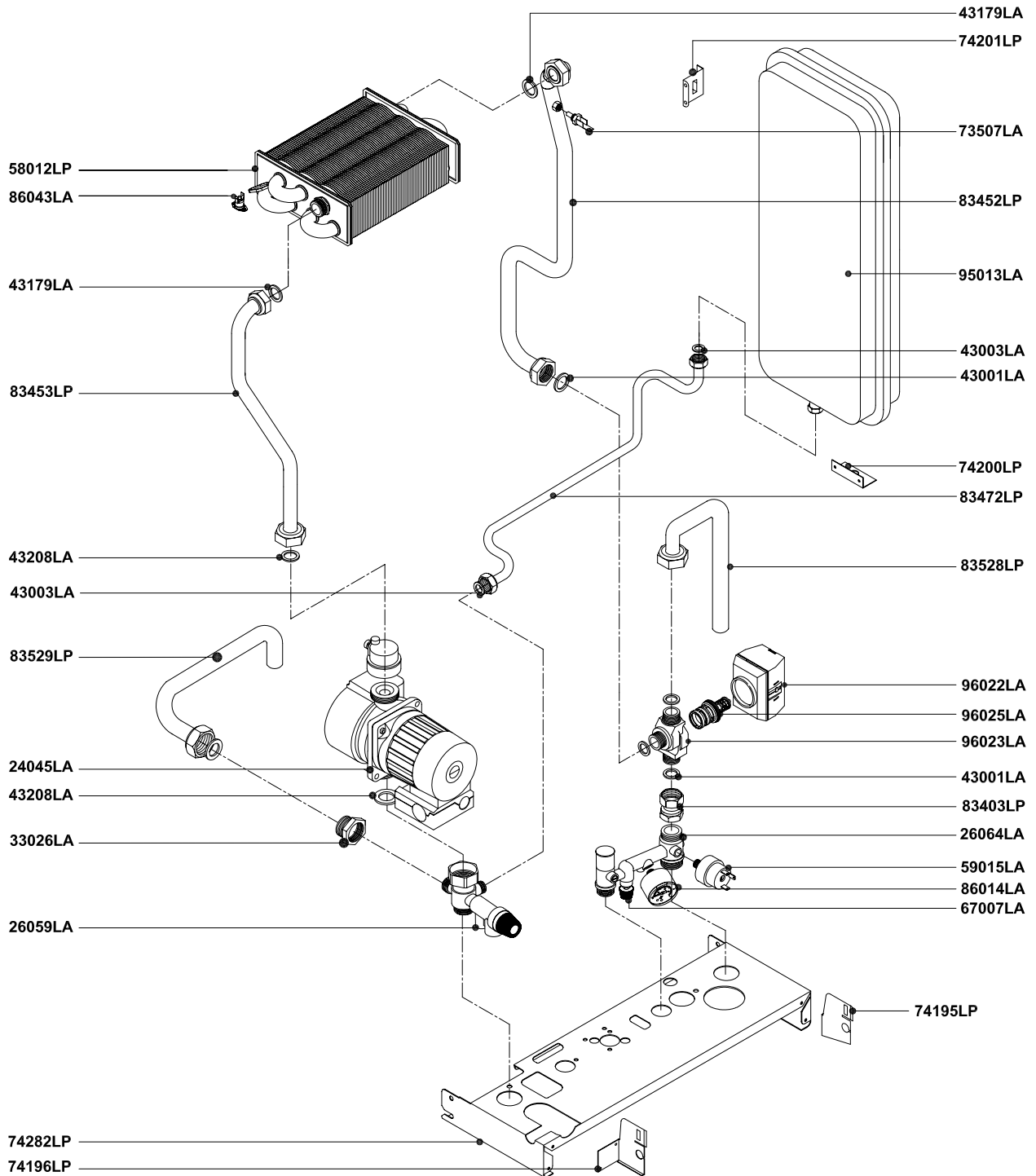
Rev.

Description

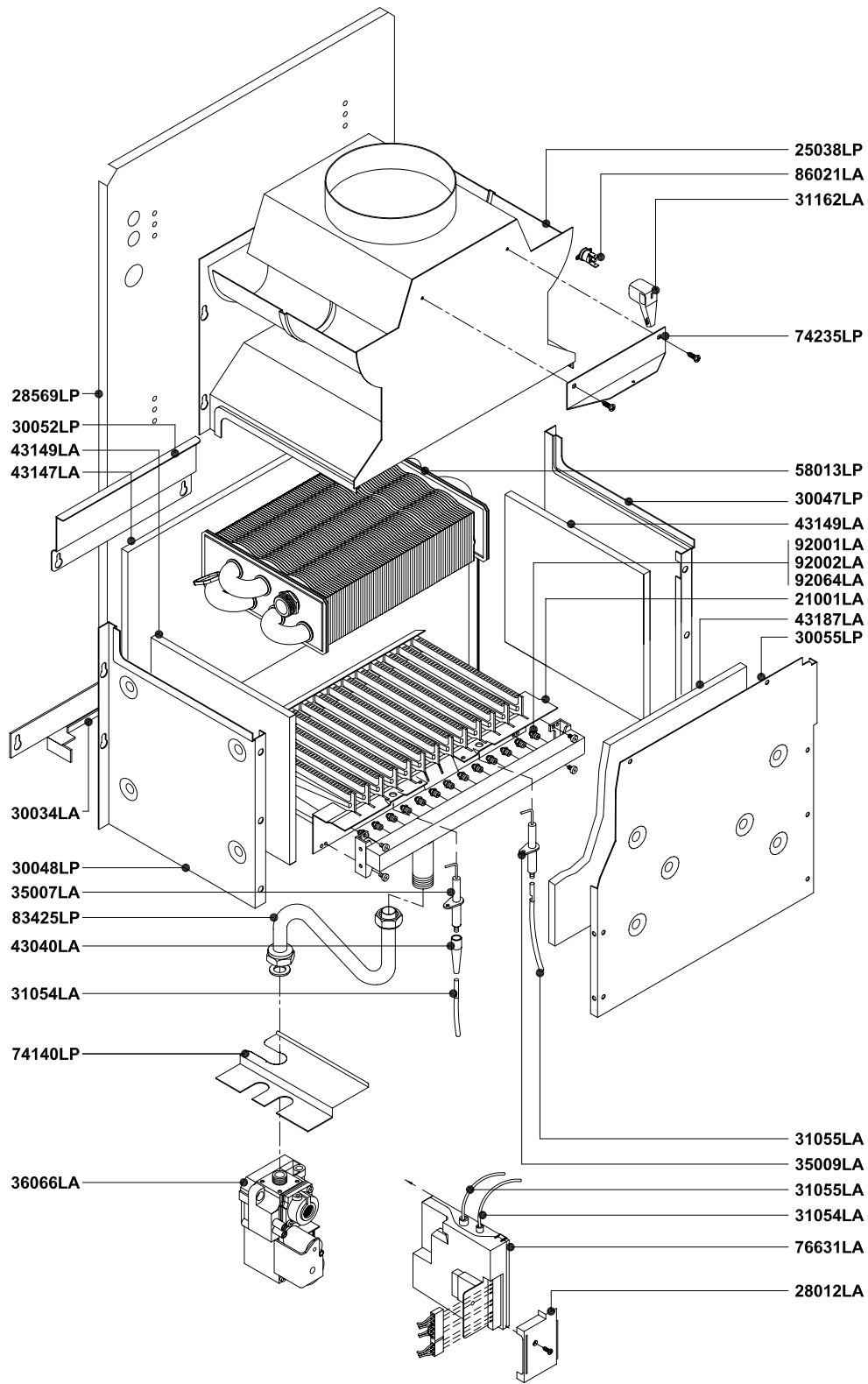
Date



Pos.	Code	Description:	U.M.	Qt.
		Description: <b>Wall hung boiler - Spare parts</b> <b>FRAME + CASING COMPONENTS</b>		
		Object / model: <b>mod. R 20 E/B</b> <i>open chamber - electronic ignition</i>		
		Date: 06.07.2003	A991A711B101	methane
		Scale:	A991B711B101	L.P.G.
		Department: tecnico		
		Designed by:		
		Controlled by:		heavy oil
		Approved by:	Sheet no.:	<b>B0391_AE1</b>
<small>ALL DESCRIPTIONS AND ILLUSTRATIONS CONTAINED IN THIS LEAFLET HAVE BEEN CAREFULLY PREPARED BUT WE RESERVE THE RIGHT TO MAKE CHANGES AND IMPROVEMENTS IN OUR PRODUCTS WHICH MAY AFFECT THE ACCURACY OF THE INFORMATION CONTAINED IN THIS LEAFLET. E + OE ALL RIGHTS RESERVED. NO PART OF THIS DOCUMENT MAY BE REPRODUCED, SAVED IN STORAGE SYSTEMS OR TRANSMITTED IN ANY FORM OR BY ANY MEANS, WHETHER ELECTRONIC, MECHANICAL, PHOTOCOPIING, RECORDING OR OTHERS, WITHOUT THE MANUFACTURERS PRIOR AUTHORISATION IN WRITING.</small>				

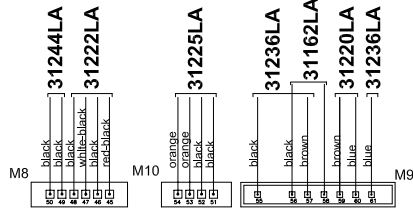


Pos.	Code	Description:	U.M.	Qt.
		Description: <b>Wall hung boiler - Spare parts</b> <b>HYDRAULIC SYSTEM</b>		
		Object / model: <b>mod. R 20 E/B</b> open chamber - electronic ignition		
		Date: 06.07.2003 Scale: Department: tecnico Designed by: Controlled by: Approved by:	A991A711B101 A991B711B101	methane L.P.G. heavy oil
			Code no.: Sheet no.:	B0392_AE1
<small>ALL DESCRIPTIONS AND ILLUSTRATIONS CONTAINED IN THIS LEAFLET HAVE BEEN CAREFULLY PREPARED BUT WE RESERVE THE RIGHT TO MAKE CHANGES AND IMPROVEMENTS IN OUR PRODUCTS WHICH MAY AFFECT THE ACCURACY OF THE INFORMATION CONTAINED IN THIS LEAFLET. E + OE ALL RIGHTS RESERVED. NO PART OF THIS DOCUMENT MAY BE REPRODUCED, SAVED IN STORAGE SYSTEMS OR TRANSMITTED IN ANY FORM OR BY ANY MEANS, WHETHER ELECTRONIC, MECHANICAL, PHOTOCOPIING, RECORDING OR OTHERS, WITHOUT THE MANUFACTURERS PRIOR AUTHORISATION IN WRITING.</small>				

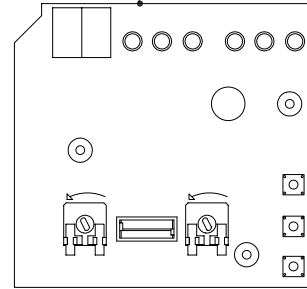


Pos.	Code	Description:		U.M.	Qt.
		Description:	Date: 06.07.2003	A991A711B101	methane
		<b>Wall hung boiler - Spare parts</b>	Scale:	A991B711B101	L.P.G.
		<b>THERMAL SYSTEM</b>	Department: tecnico		
		Object / model:	Designed by:		heavy oil
		<b>mod. R 20 E/B</b>	Controlled by:		
		<i>open chamber - electronic ignition</i>	Approved by:	Sheet no.:	<b>B0393_AE1</b>
<small>ALL DESCRIPTIONS AND ILLUSTRATIONS CONTAINED IN THIS LEAFLET HAVE BEEN CAREFULLY PREPARED BUT WE RESERVE THE RIGHT TO MAKE CHANGES AND IMPROVEMENTS IN OUR PRODUCTS WHICH MAY AFFECT THE ACCURACY OF THE INFORMATION CONTAINED IN THIS LEAFLET. E + OE ALL RIGHTS RESERVED. NO PART OF THIS DOCUMENT MAY BE REPRODUCED, SAVED IN STORAGE SYSTEMS OR TRANSMITTED IN ANY FORM OR BY ANY MEANS, WHETHER ELECTRONIC, MECHANICAL, PHOTOCOPIING, RECORDING OR OTHERS, WITHOUT THE MANUFACTURER'S PRIOR AUTHORIZATION IN WRITING.</small>					

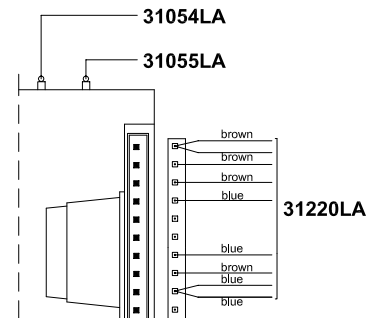
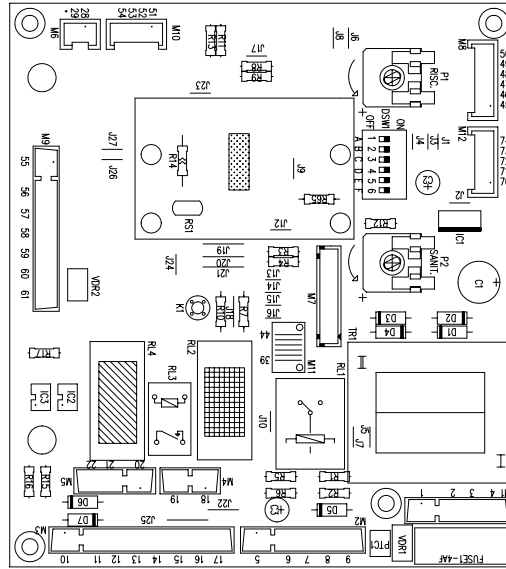




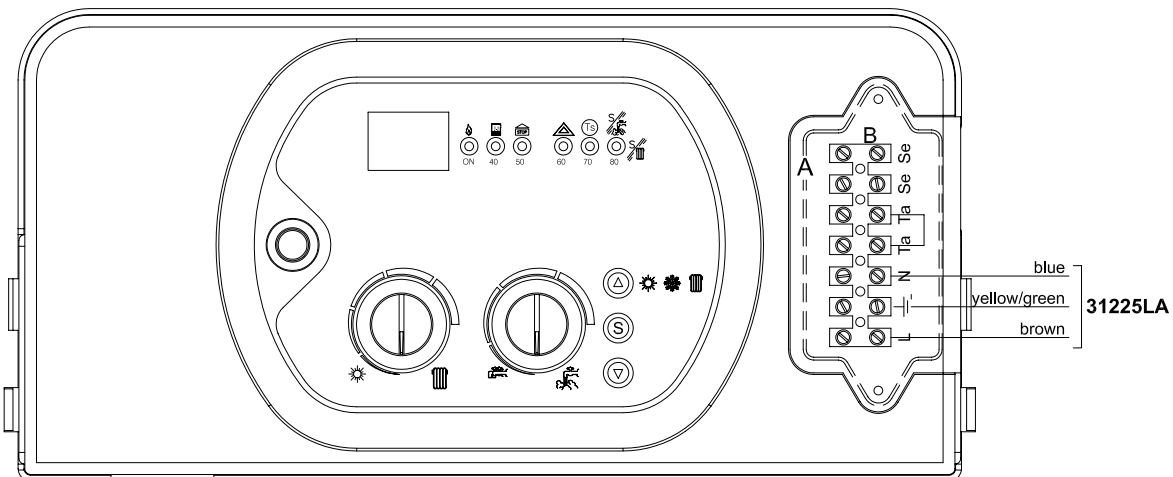
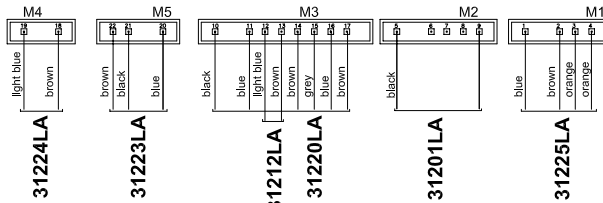
DISPLAY DIGITAL BOARD 2000 SKO6206  
76654LA



MAIN PRINTED CIRC. BOARD CVI-M SM 20015 COD. 76655LA



ELECTRONIC IGNITION BOARD  
S4565QM1012 code 76631LA



Pos.	Code	Description:	U.M.	Qt.
		Description: <b>Wall hung boiler - Spare parts</b> <b>ELECTRIC SYSTEM</b>		
		Object / model: <b>mod. R 20 E/B</b> <b>open chamber - electronic ignition</b>		
		Date: 06.07.2003	A991A711B101	methane
		Scale:	A991B711B101	L.P.G.
		Department: tecnico		
		Designed by:		heavy oil
		Controlled by:		
		Approved by:	Sheet no.:	<b>B0394_AE1</b>

ALL DESCRIPTIONS AND ILLUSTRATIONS CONTAINED IN THIS LEAFLET HAVE BEEN CAREFULLY PREPARED BUT WE RESERVE THE RIGHT TO MAKE CHANGES AND IMPROVEMENTS IN OUR PRODUCTS WHICH MAY AFFECT THE ACCURACY OF THE INFORMATION CONTAINED IN THIS LEAFLET, E + OE ALL RIGHTS RESERVED. NO PART OF THIS DOCUMENT MAY BE REPRODUCED, SAID IN STORAGE SYSTEMS OR TRANSMITTED IN ANY FORM OR BY ANY MEANS, WHETHER ELECTRONIC, MECHANICAL, PHOTOCOPIING, RECORDING OR OTHERS, WITHOUT THE MANUFACTURER'S PRIOR AUTHORIZATION IN WRITING.