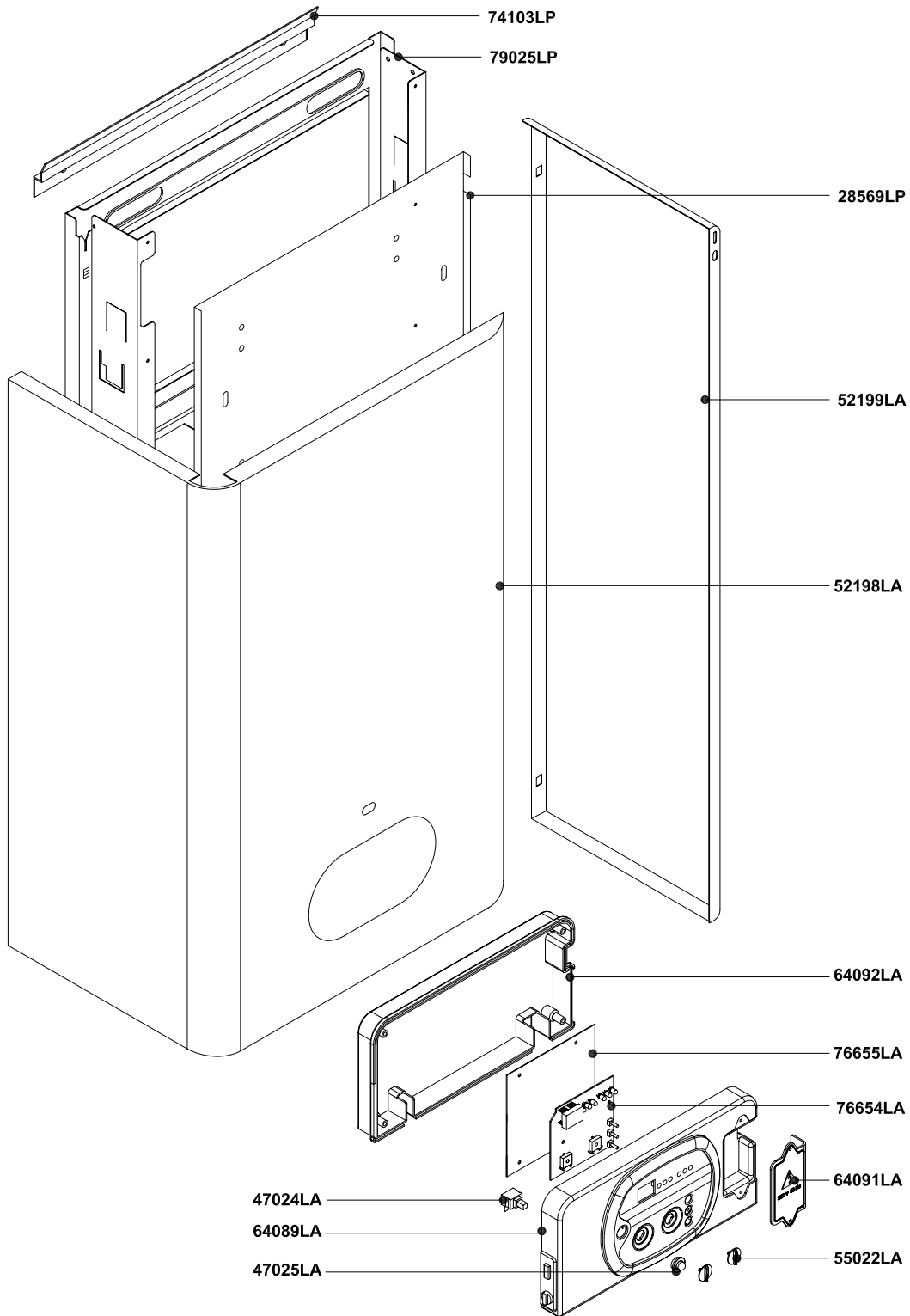

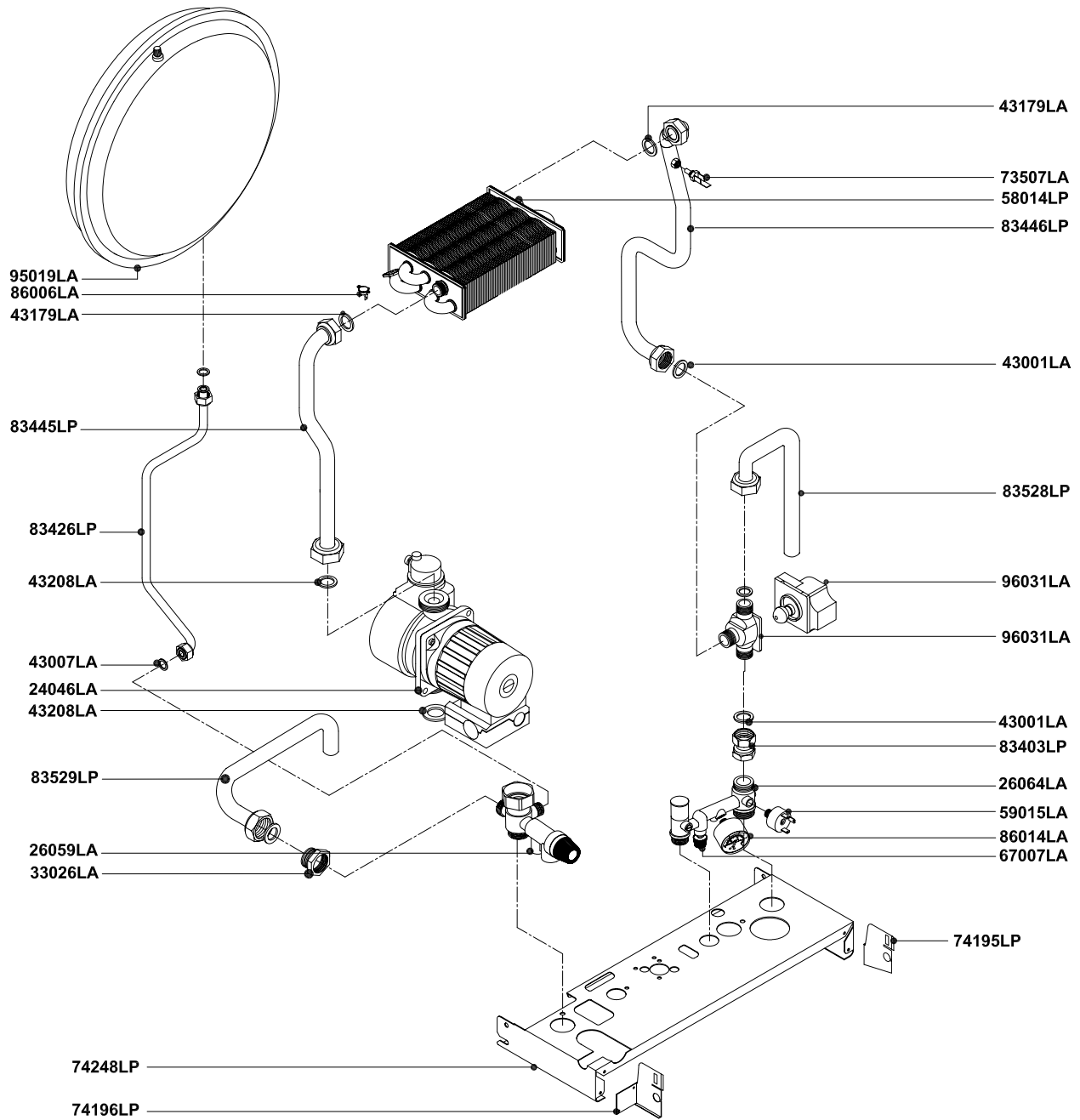


Rev.	Description	Date
------	-------------	------



 RADIANT BRUCIATORI S.p.A.	Pos.	Code	Description:	Date: 08.06.2004	U.M.	Qt.
	Description: Wall hung boiler - Spare parts FRAME and CASING COMPONENTS			Scale: —	A991A711B301	methane
Object / model: mod. R 24 E/B <i>open chamber - electronic ignition</i>			Department: tecnico	A991B711B301	L.P.G.	
			Designed by:		heavy oil	
			Controlled by:			
			Approved by:	Sheet no.: B0395_AE1		
<small>ALL DESCRIPTIONS AND ILLUSTRATIONS CONTAINED IN THIS LEAFLET HAVE BEEN CAREFULLY PREPARED BUT WE RESERVE THE RIGHT TO MAKE CHANGES AND IMPROVEMENTS IN OUR PRODUCTS WHICH MAY AFFECT THE ACCURACY OF THE INFORMATION CONTAINED IN THIS LEAFLET, E + OE ALL RIGHTS RESERVED. NO PART OF THIS DOCUMENT MAY BE REPRODUCED, SAVED IN STORAGE SYSTEMS OR TRANSMITTED IN ANY FORM OR BY ANY MEANS, WHETHER ELECTRONIC, MECHANICAL, PHOTOCOPIING, RECORDING OR OTHERS, WITHOUT THE MANUFACTURERS PRIOR AUTHORISATION IN WRITING.</small>						

Rev.	Description	Date
------	-------------	------

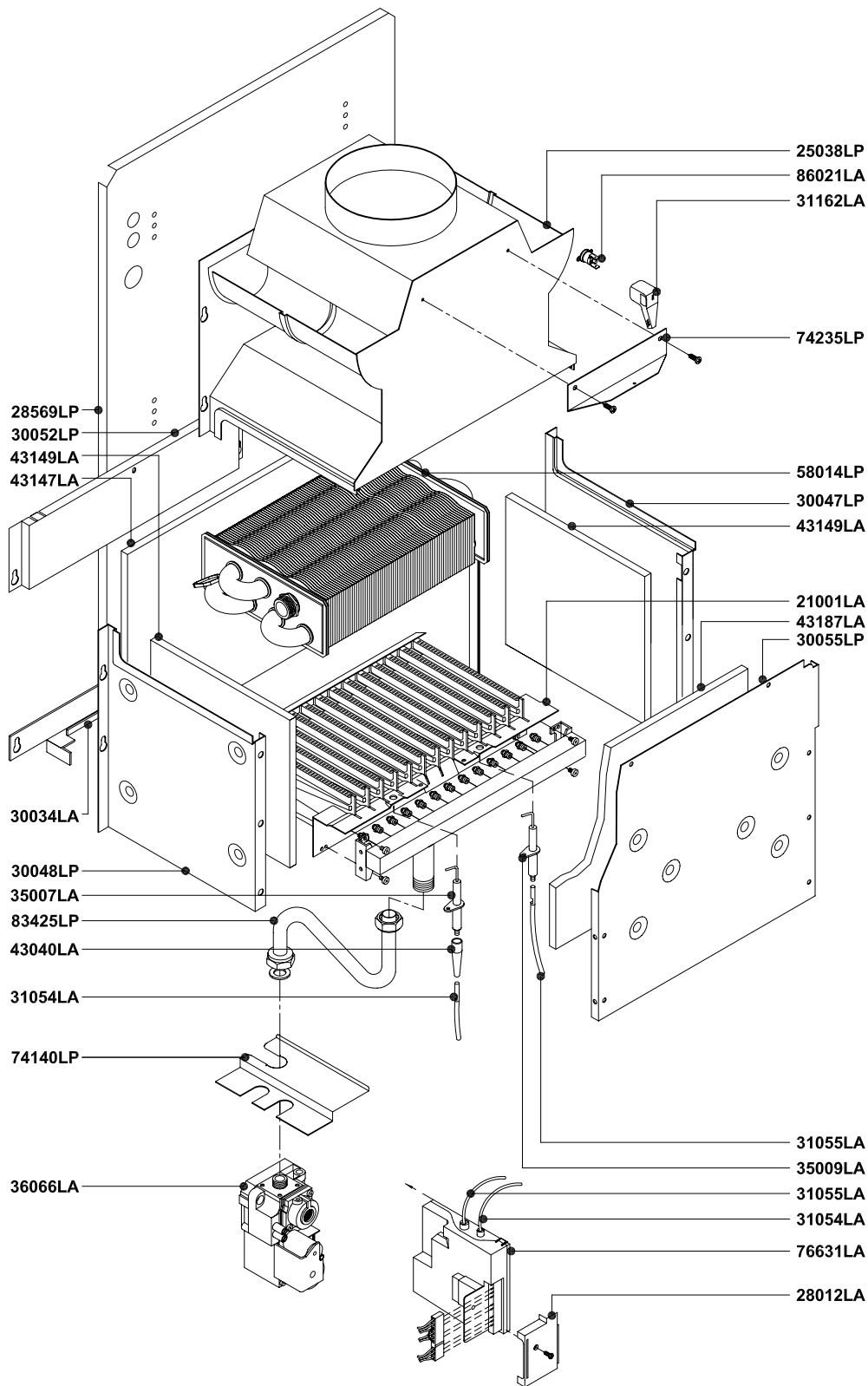


Pos.	Code	Description:	Date:	U.M.	Qt.
		Description: Wall hung boiler - Spare parts HYDRAULIC SYSTEM	08.06.2004	A991A711B301	methane
		Object / model: mod. R 24 E/B <i>open chamber - electronic ignition</i>	Scale: —	A991B711B301	L.P.G.
			Department: tecnico		
			Designed by:		heavy oil
			Controlled by:		
			Approved by:	Sheet no.:	B0396_AE1
<small>ALL DESCRIPTIONS AND ILLUSTRATIONS CONTAINED IN THIS LEAFLET HAVE BEEN CAREFULLY PREPARED BUT WE RESERVE THE RIGHT TO MAKE CHANGES AND IMPROVEMENTS IN OUR PRODUCTS WHICH MAY AFFECT THE ACCURACY OF THE INFORMATION CONTAINED IN THIS LEAFLET, E + OE ALL RIGHTS RESERVED. NO PART OF THIS DOCUMENT MAY BE REPRODUCED, SAVED IN STORAGE SYSTEMS OR TRANSMITTED IN ANY FORM OR BY ANY MEANS, WHETHER ELECTRONIC, MECHANICAL, PHOTOCOPIING, RECORDING OR OTHERS, WITHOUT THE MANUFACTURERS PRIOR AUTHORISATION IN WRITING.</small>					

Rev.

Description

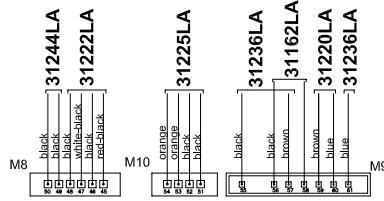
Date



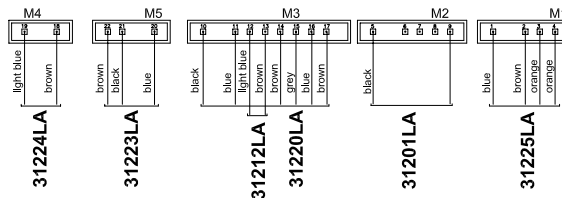
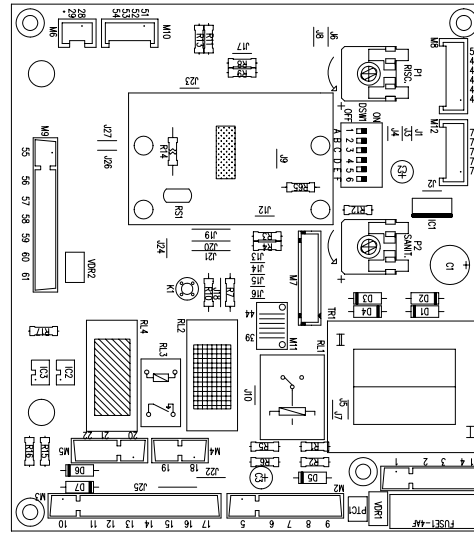
Pos.	Code	Description:		U.M.	Qt.
		Description:	Date: 08.06.2004	A991A711B301	methane
		Wall hung boiler - Spare parts	Scale: —	A991B711B301	L.P.G.
		THERMAL SYSTEM	Department: tecnico		
		Object / model:	Designed by:		heavy oil
		mod. R 24 E/B	Controlled by:		
		open chamber - electronic ignition	Approved by:	Sheet no.:	B0397_AE1
<small>ALL DESCRIPTIONS AND ILLUSTRATIONS CONTAINED IN THIS LEAFLET HAVE BEEN CAREFULLY PREPARED BUT WE RESERVE THE RIGHT TO MAKE CHANGES AND IMPROVEMENTS IN OUR PRODUCTS WHICH MAY AFFECT THE ACCURACY OF THE INFORMATION CONTAINED IN THIS LEAFLET, E + OE ALL RIGHTS RESERVED. NO PART OF THIS DOCUMENT MAY BE REPRODUCED, SAVED IN STORAGE SYSTEMS OR TRANSMITTED IN ANY FORM OR BY ANY MEANS, WHETHER ELECTRONIC, MECHANICAL, PHOTOCOPIING, RECORDING OR OTHERS, WITHOUT THE MANUFACTURER'S PRIOR AUTHORIZATION IN WRITING.</small>					



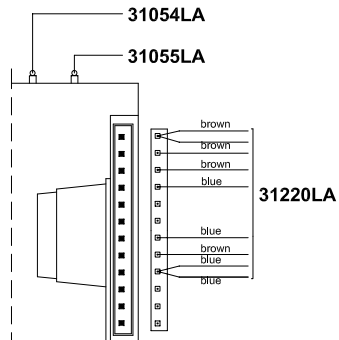
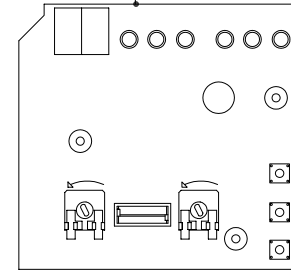
RADIANT BRUCIATORI S.p.A.



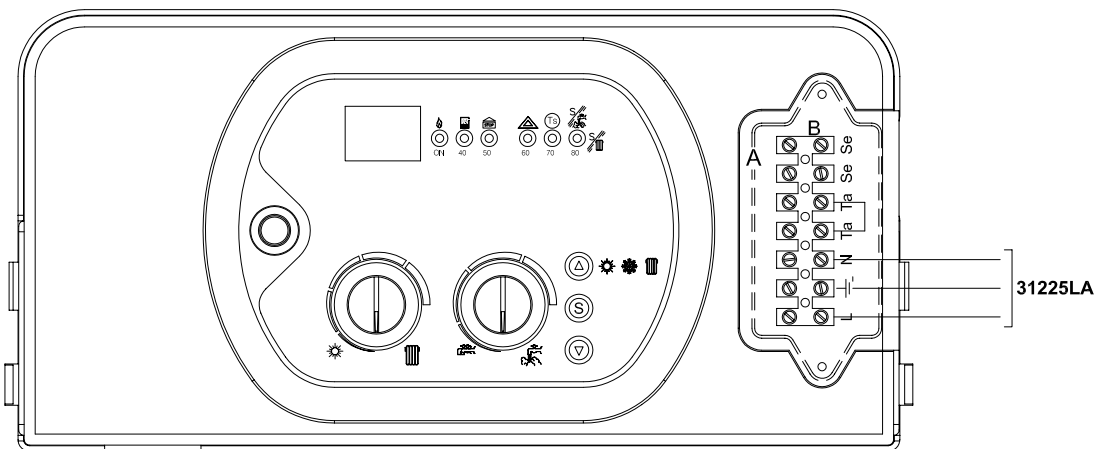
MAIN PRINTED CIRC. BOARD CVI-M SM 20015 COD. 76655LA



DISPLAY DIGITAL BOARD 2000 SKO6206 76654LA



ELECTRONIC IGNITION BOARD S4565QM1012 code 76631LA



Pos.	Code	Description:	U.M.	Qt.
		Description: Wall hung boiler - Spare parts ELECTRIC SYSTEM		
		Object / model: mod. R 24 E/B open chamber - electronic ignition		
		Date: 08.06.2004	A991A711B301	methane
		Scale: --	A991B711B301	L.P.G.
		Department: tecnico		
		Designed by:		heavy oil
		Controlled by:		
		Approved by:	Sheet no.:	B0398_AE1

ALL DESCRIPTIONS AND ILLUSTRATIONS CONTAINED IN THIS LEAFLET HAVE BEEN CAREFULLY PREPARED BUT WE RESERVE THE RIGHT TO MAKE CHANGES AND IMPROVEMENTS IN OUR PRODUCTS WHICH MAY AFFECT THE ACCURACY OF THE INFORMATION CONTAINED IN THIS LEAFLET, E + 0E ALL RIGHTS RESERVED. NO PART OF THIS DOCUMENT MAY BE REPRODUCED, SAID IN STORAGE SYSTEMS OR TRANSMITTED IN ANY FORM OR BY ANY MEANS, WHETHER ELECTRONIC, MECHANICAL, PHOTOCOPIING, RECORDING OR OTHERS, WITHOUT THE MANUFACTURER'S PRIOR AUTHORIZATION IN WRITING.