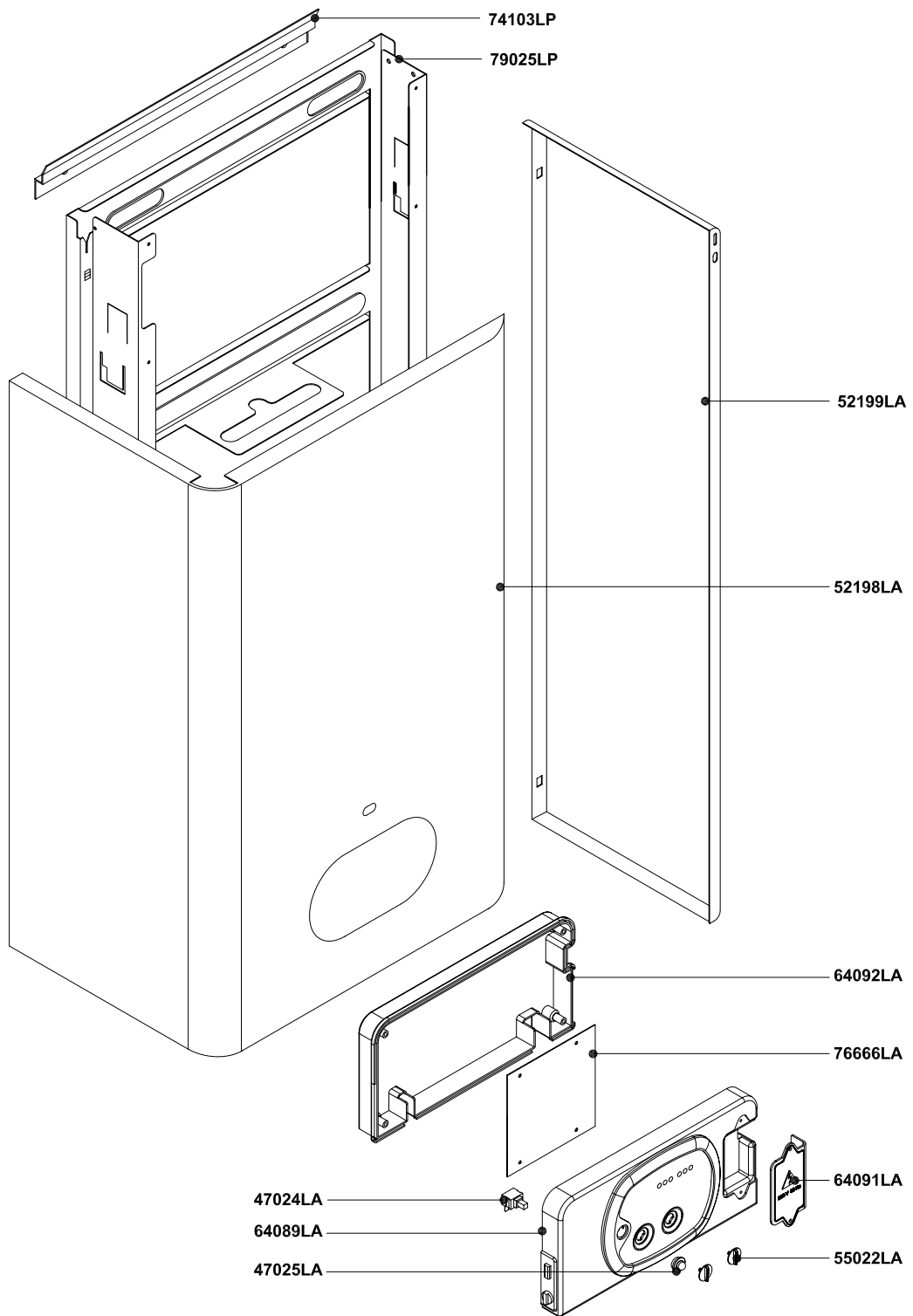


Rev.

Description

Date

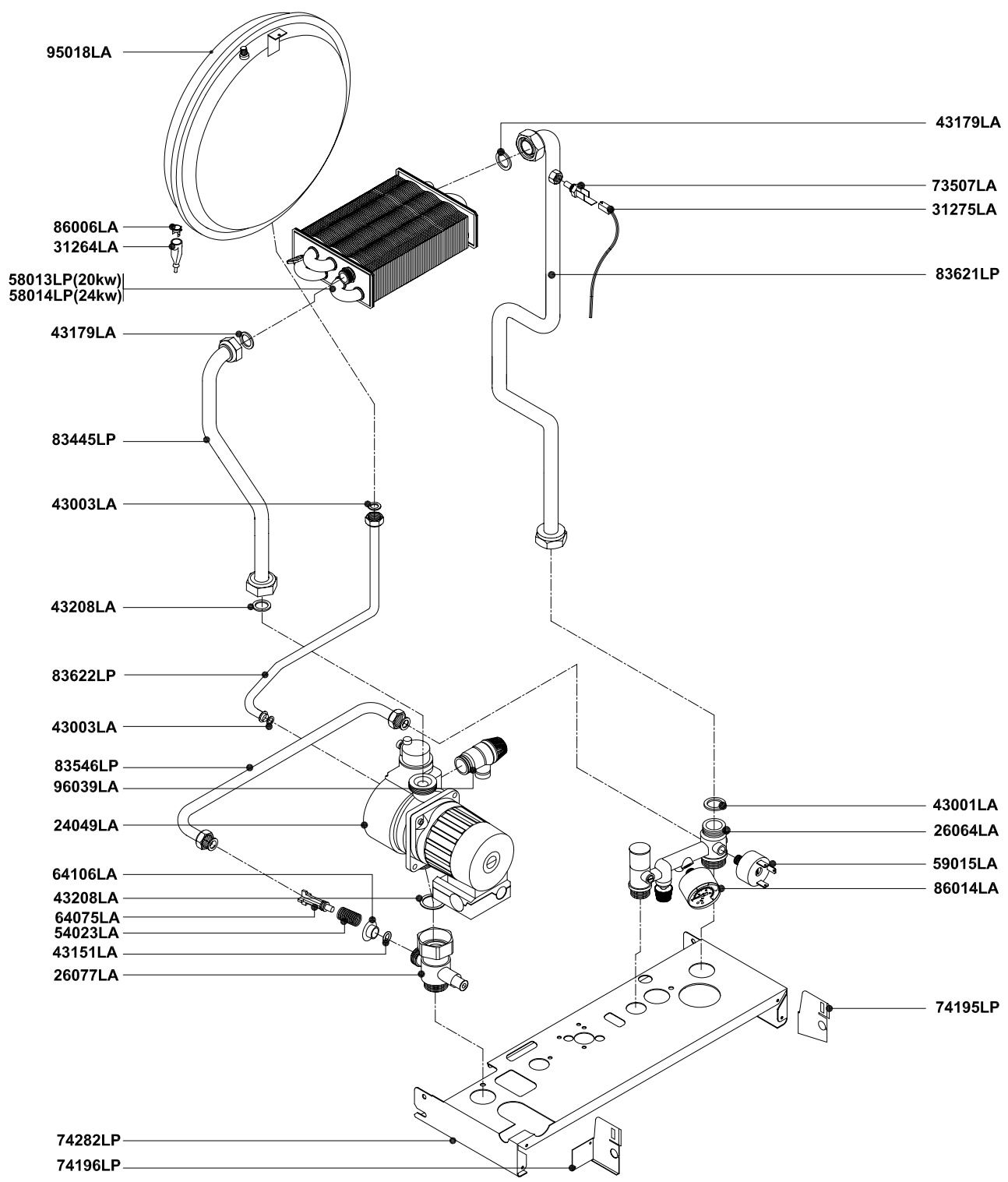


Pos.	Code	Description:		U.M.	Qt.
		Description:	Date: 01.02.2005	A991A111B301	methane
		Only heating wall hung boiler - Spare parts	Scale: —	A991B111B301	L.P.G.
		FRAME and CASING COMPONENTS	Department: tecnico		
		Object / model:	Designed by:		heavy oil
		mod. R 24 E	Controlled by:	Sheet no.: B0411_AE1	
		<i>Only heating</i>	Approved by:		
<small>ALL DESCRIPTIONS AND ILLUSTRATIONS CONTAINED IN THIS LEAFLET HAVE BEEN CAREFULLY PREPARED BUT WE RESERVE THE RIGHT TO MAKE CHANGES AND IMPROVEMENTS IN OUR PRODUCTS WHICH MAY AFFECT THE ACCURACY OF THE INFORMATION CONTAINED IN THIS LEAFLET, E + OE ALL RIGHTS RESERVED. NO PART OF THIS DOCUMENT MAY BE REPRODUCED, SAVED IN STORAGE SYSTEMS OR TRANSMITTED IN ANY FORM OR BY ANY MEANS, WHETHER ELECTRONIC, MECHANICAL, PHOTOCOPIING, RECORDING OR OTHERS, WITHOUT THE MANUFACTURERS PRIOR AUTHORISATION IN WRITING.</small>					



RADIANT BRUCIATORI S.p.A.

Rev.	Description	Date
------	-------------	------



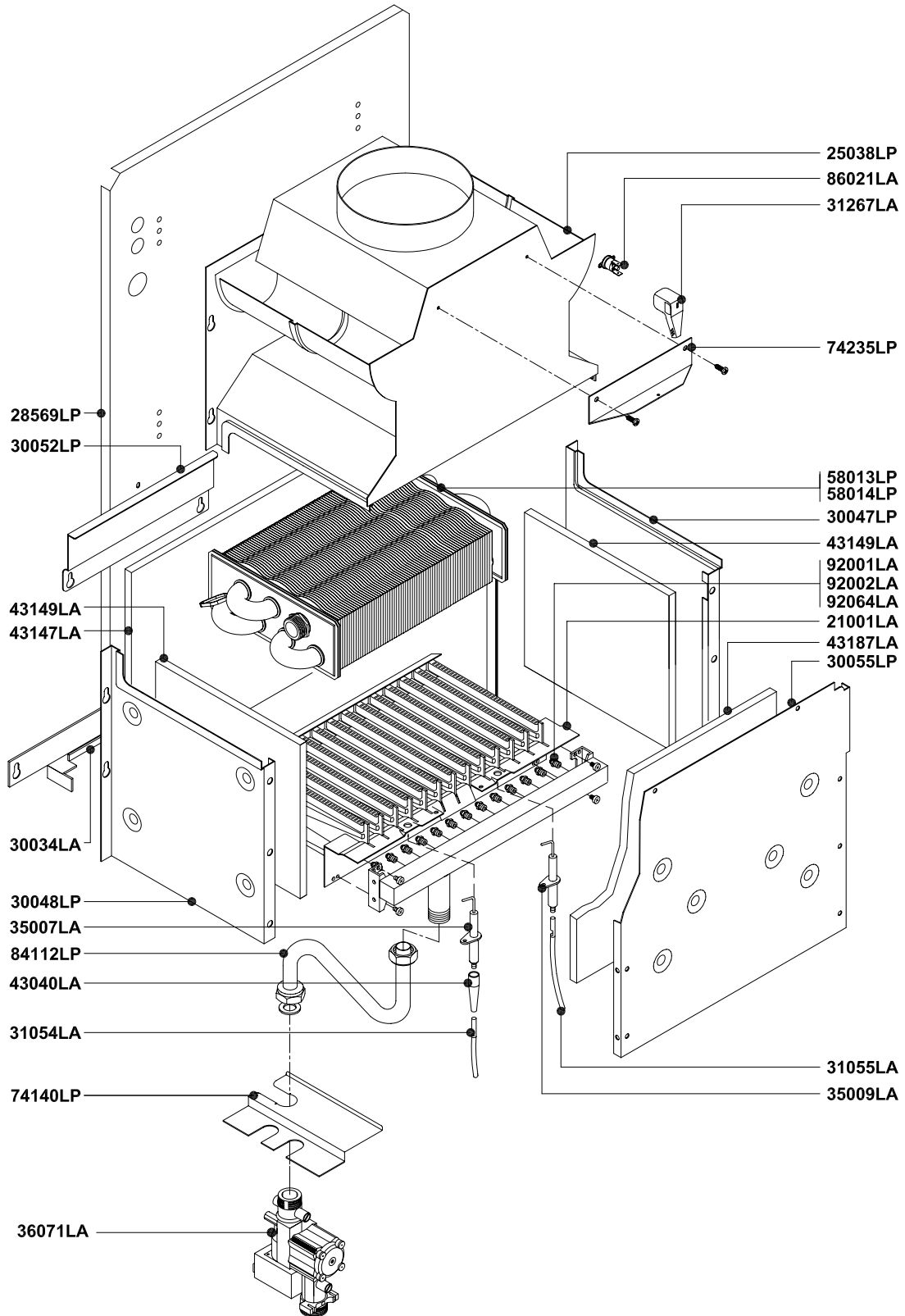
Pos.	Code	Description:		U.M.	Qt.
		Description:	Date: 01.02.2005	A991A111B301	methane
		Only heating wall hung boiler - spare parts	Scale: —	A991B111B301	L.P.G.
		HYDRAULIC SYSTEM	Department: tecnico		
		Object / model:	Designed by:		heavy oil
		mod. R 24 E	Controlled by:		
		<i>Only heating</i>	Approved by:	Sheet no.:	B0412_AE1
<small>ALL DESCRIPTIONS AND ILLUSTRATIONS CONTAINED IN THIS LEAFLET HAVE BEEN CAREFULLY PREPARED BUT WE RESERVE THE RIGHT TO MAKE CHANGES AND IMPROVEMENTS IN OUR PRODUCTS WHICH MAY AFFECT THE ACCURACY OF THE INFORMATION CONTAINED IN THIS LEAFLET. E + OE ALL RIGHTS RESERVED. NO PART OF THIS DOCUMENT MAY BE REPRODUCED, SAVED IN STORAGE SYSTEMS OR TRANSMITTED IN ANY FORM OR BY ANY MEANS, WHETHER ELECTRONIC, MECHANICAL, PHOTOCOPIING, RECORDING OR OTHERS, WITHOUT THE MANUFACTURERS PRIOR AUTHORISATION IN WRITING.</small>					



Rev.

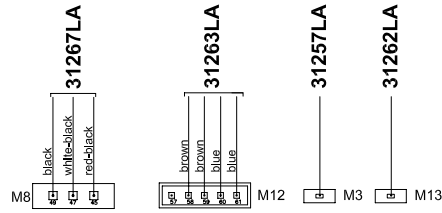
Description

Date

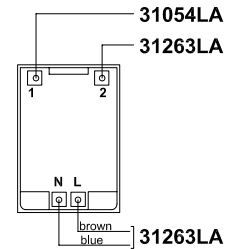
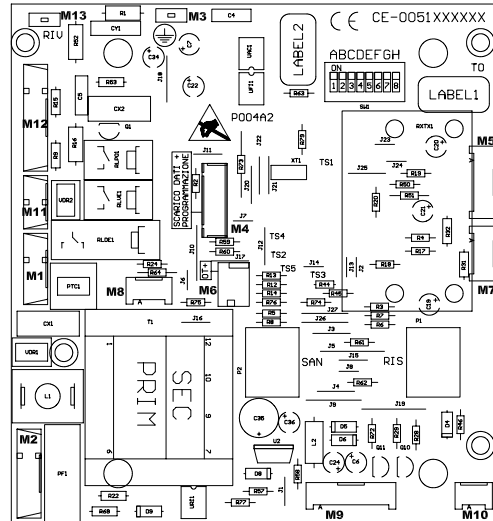


Pos.	Code	Description:		U.M.	Qt.
		Description:	Date: 01.02.2005	A991A111B301	methane
		Only heating wall hung boiler - spare parts	Scale: —	A991B111B301	L.P.G.
		THERMAL SYSTEM	Department: tecnico		
		Object / model:	Designed by:		heavy oil
		mod. R 24 E	Controlled by:		
		<i>Only heating</i>	Approved by:	Sheet no.:	B0413_AE1
<small>ALL DESCRIPTIONS AND ILLUSTRATIONS CONTAINED IN THIS LEAFLET HAVE BEEN CAREFULLY PREPARED BUT WE RESERVE THE RIGHT TO MAKE CHANGES AND IMPROVEMENTS IN OUR PRODUCTS WHICH MAY AFFECT THE ACCURACY OF THE INFORMATION CONTAINED IN THIS LEAFLET. E + OE ALL RIGHTS RESERVED. NO PART OF THIS DOCUMENT MAY BE REPRODUCED, SAVED IN STORAGE SYSTEMS OR TRANSMITTED IN ANY FORM OR BY ANY MEANS, WHETHER ELECTRONIC, MECHANICAL, PHOTOCOPIING, RECORDING OR OTHERS, WITHOUT THE MANUFACTURER'S PRIOR AUTHORISATION IN WRITING.</small>					

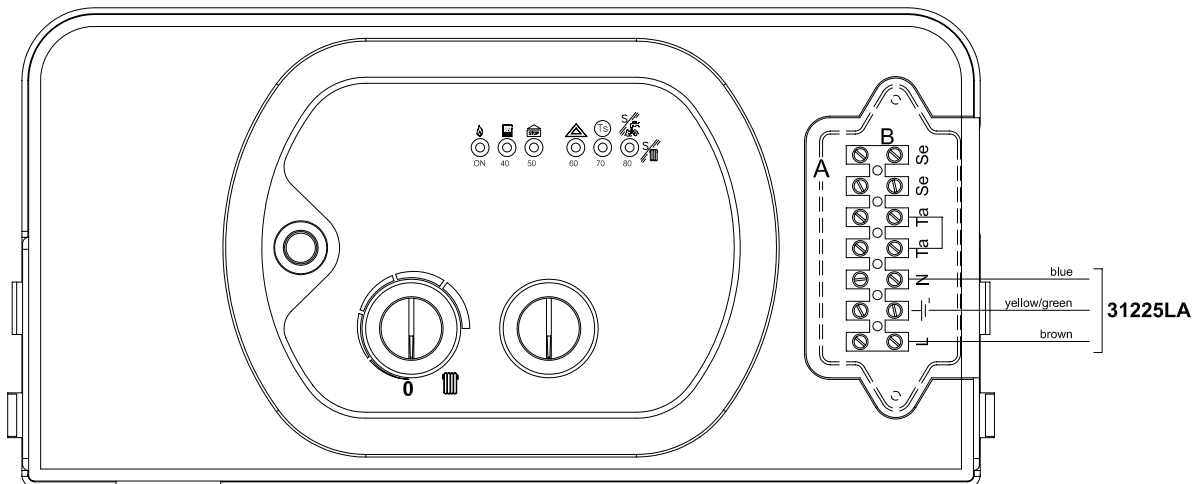
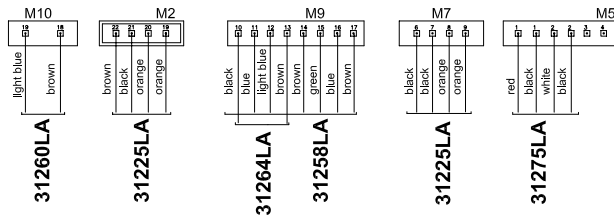




PRINTED CIRCUIT BOARD SM30001 (COD. 76666LA)



**TRANSFORMEN 697250 64
COD. 88018LA**



Pos.	Code	Description:	U.M.	Qt.
		Description: Only heating wall hung boiler - spare parts ELECTRIC SYSTEM		
		Object / model: mod. R 24 E Only heating		
		Date: 01.02.2005	A991A111B301	methane
		Scale: —	A991B111B301	L.P.G.
		Department: tecnico		
		Designed by:		heavy oil
		Controlled by:		
		Approved by:	Sheet no.:	B0414_AE1

ALL DESCRIPTIONS AND ILLUSTRATIONS CONTAINED IN THIS LEAFLET HAVE BEEN CAREFULLY PREPARED BUT WE RESERVE THE RIGHT TO MAKE CHANGES AND IMPROVEMENTS IN OUR PRODUCTS WHICH MAY AFFECT THE ACCURACY OF THE INFORMATION CONTAINED IN THIS LEAFLET. E + OE ALL RIGHTS RESERVED. NO PART OF THIS DOCUMENT MAY BE REPRODUCED, STORED IN STORAGE SYSTEMS OR TRANSMITTED IN ANY FORM OR BY ANY MEANS, WHETHER ELECTRONIC, MECHANICAL, PHOTOCOPIING, RECORDING OR OTHERS, WITHOUT THE MANUFACTURER'S PRIOR AUTHORIZATION IN WRITING.