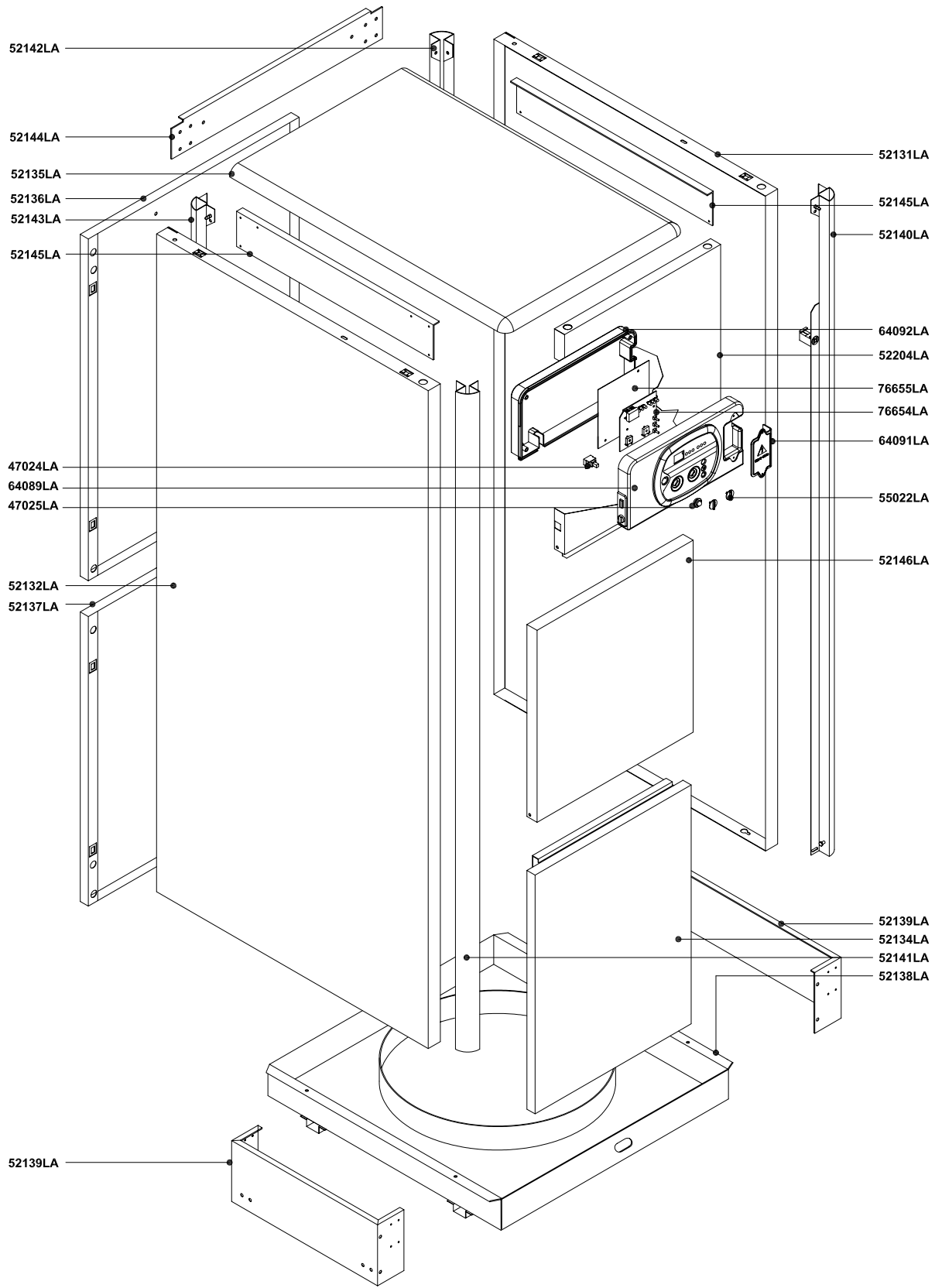


Rev.	Description	Date
------	-------------	------



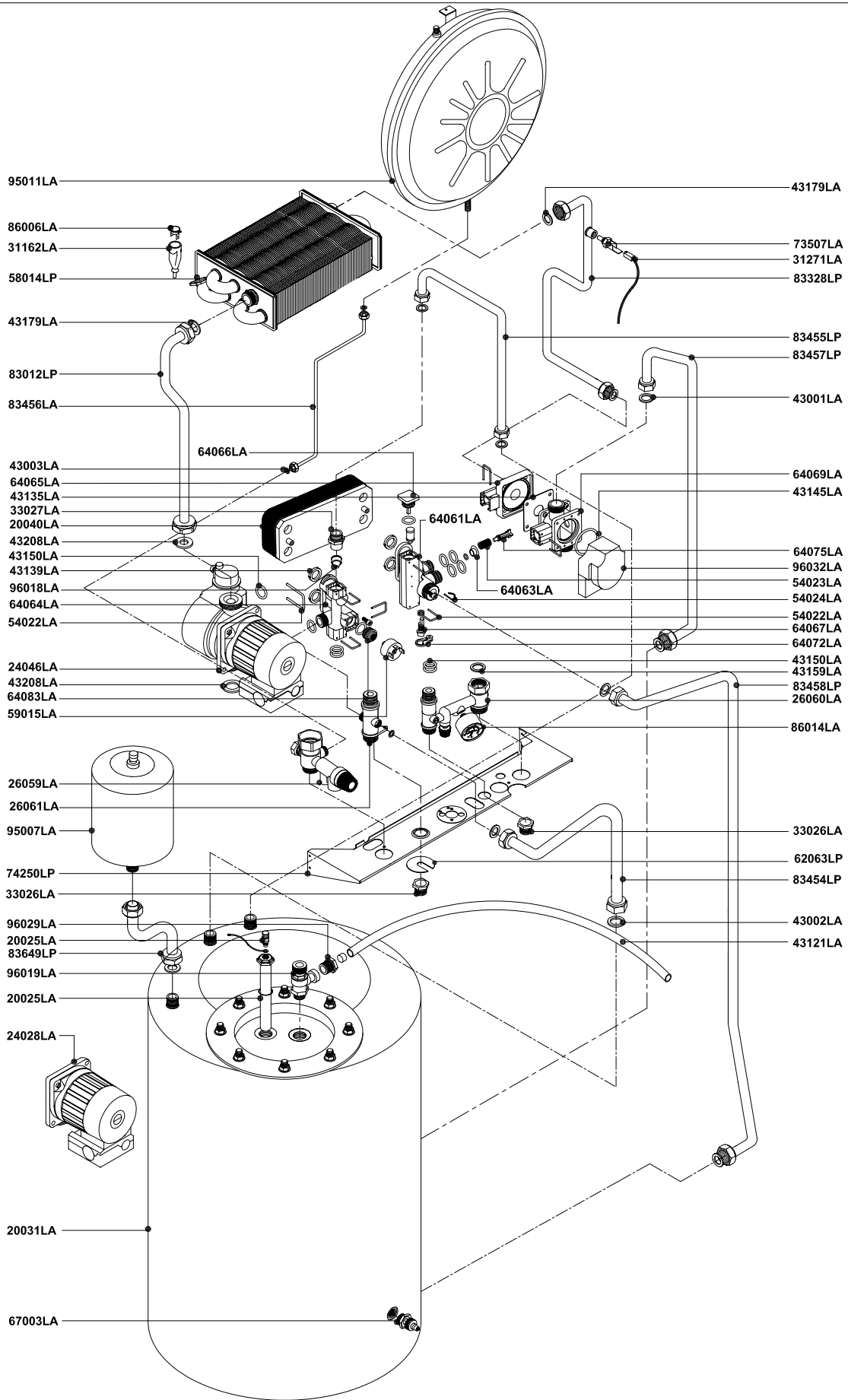
Pos.	Code	Description:		U.M.	Qt.
		Description:	Date: 15.09.2004	A992A412B371	methane
		Wall hung boiler - with D.H.W. storage cylinder spare parts	Scale: ---	A992B412B371	L.P.G.
		FRAME + CASING COMPONENTS	Department: tecnico		
		Object / model:	Designed by:		heavy oil
		mod. RBA CS 100 E	Controlled by:		
		<i>room sealed - electronic ignition</i>	Approved by:	Sheet no.:	B0375_AE1
<small>ALL DESCRIPTIONS AND ILLUSTRATIONS CONTAINED IN THIS LEAFLET HAVE BEEN CAREFULLY PREPARED BUT WE RESERVE THE RIGHT TO MAKE CHANGES AND IMPROVEMENTS IN OUR PRODUCTS WHICH MAY AFFECT THE ACCURACY OF THE INFORMATION CONTAINED IN THIS LEAFLET, E + DE ALL RIGHTS RESERVED. NO PART OF THIS DOCUMENT MAY BE REPRODUCED, SAVED IN STORAGE SYSTEMS OR TRANSMITTED IN ANY FORM OR BY ANY MEANS, WHETHER ELECTRONIC, MECHANICAL, PHOTOCOPIING, RECORDING OR OTHERS, WITHOUT THE MANUFACTURERS PRIOR AUTHORISATION IN WRITING.</small>					




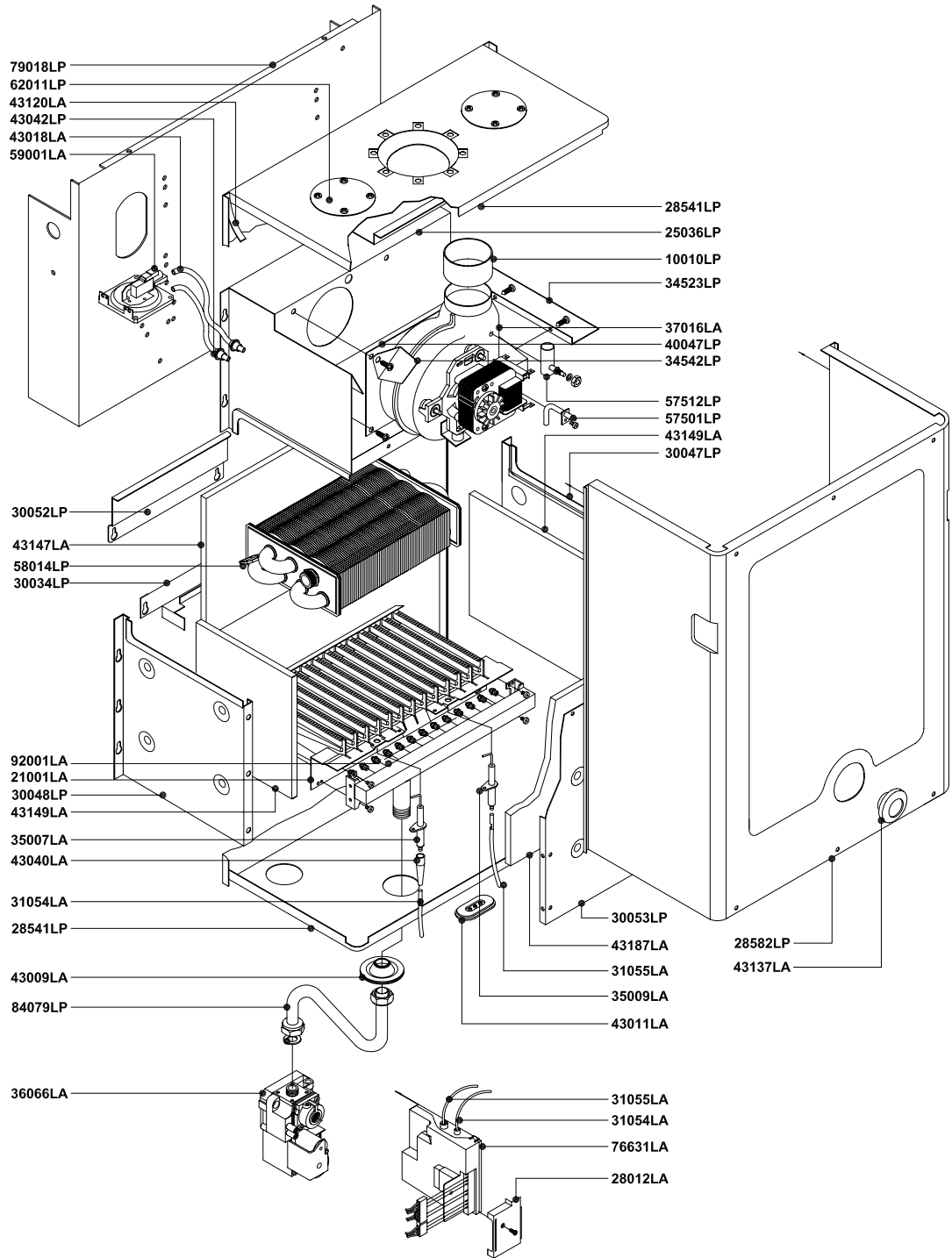
Rev.

Description

Date

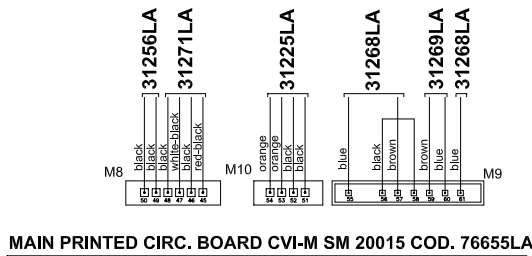


Pos.	Code	Description:	U.M.	Qt.
		Date: 15.09.2004	A992A412B371	methane
		Scale: ---	A992B412B371	L.P.G.
		Department: tecnico		
		Designed by:		heavy oil
		Controlled by:		
		Approved by:	Sheet no.:	B0376_AE1
 RADIANT <small>RADIANT BRUCIATORI S.p.A.</small>				
Description: Wall hung boiler - with D.H.W. storage cylinder spare parts HYDRAULIC SYSTEM Object / model: mod. RBA CS 100 E <i>room sealed - electronic ignition</i>				
<small>ALL DESCRIPTIONS AND ILLUSTRATIONS CONTAINED IN THIS LEAFLET HAVE BEEN CAREFULLY PREPARED BUT WE RESERVE THE RIGHT TO MAKE CHANGES AND IMPROVEMENTS IN OUR PRODUCTS WHICH MAY AFFECT THE ACCURACY OF THE INFORMATION CONTAINED IN THIS LEAFLET, E + 0E ALL RIGHTS RESERVED. NO PART OF THIS DOCUMENT MAY BE REPRODUCED, STORED IN STORAGE SYSTEMS OR TRANSMITTED IN ANY FORM OR BY ANY MEANS, WHETHER ELECTRONIC, MECHANICAL, PHOTOCOPIING, RECORDING OR OTHERS, WITHOUT THE MANUFACTURER'S PRIOR AUTHORISATION IN WRITING.</small>				

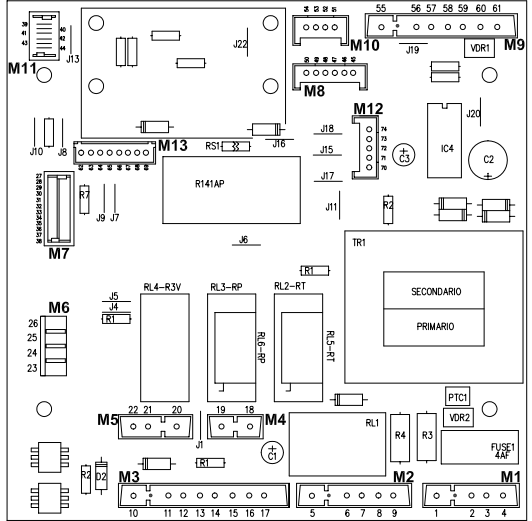


Pos.	Code	Description:		U.M.	Qt.
		Description:	Date: 15.09.2004	A992A412B371	methane
		Wall hung boiler - with D.H.W. storage cylinder spare parts	Scale: ---	A992B412B371	L.P.G.
		THERMAL SYSTEM	Department: tecnico		
		Object / model:	Designed by:		heavy oil
		mod. RBA CS 100 E	Controlled by:		
		<i>room sealed - electronic ignition</i>	Approved by:	Sheet no.:	B0377_AE1
<small>ALL DESCRIPTIONS AND ILLUSTRATIONS CONTAINED IN THIS LEAFLET HAVE BEEN CAREFULLY PREPARED BUT WE RESERVE THE RIGHT TO MAKE CHANGES AND IMPROVEMENTS IN OUR PRODUCTS WHICH MAY AFFECT THE ACCURACY OF THE INFORMATION CONTAINED IN THIS LEAFLET, E + OE ALL RIGHTS RESERVED. NO PART OF THIS DOCUMENT MAY BE REPRODUCED, SAVED IN STORAGE SYSTEMS OR TRANSMITTED IN ANY FORM OR BY ANY MEANS, WHETHER ELECTRONIC, MECHANICAL, PHOTOCOPIING, RECORDING OR OTHERS, WITHOUT THE MANUFACTURERS PRIOR AUTHORISATION IN WRITING.</small>					

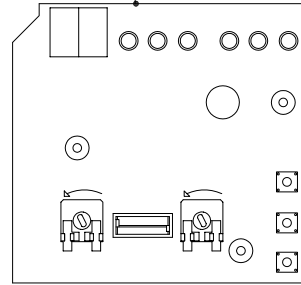




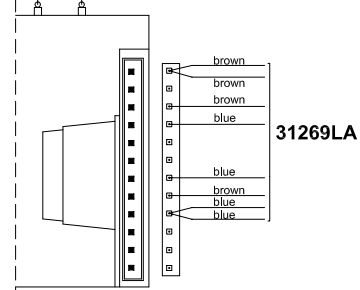
MAIN PRINTED CIRC. BOARD CVI-M SM 20015 COD. 76655LA



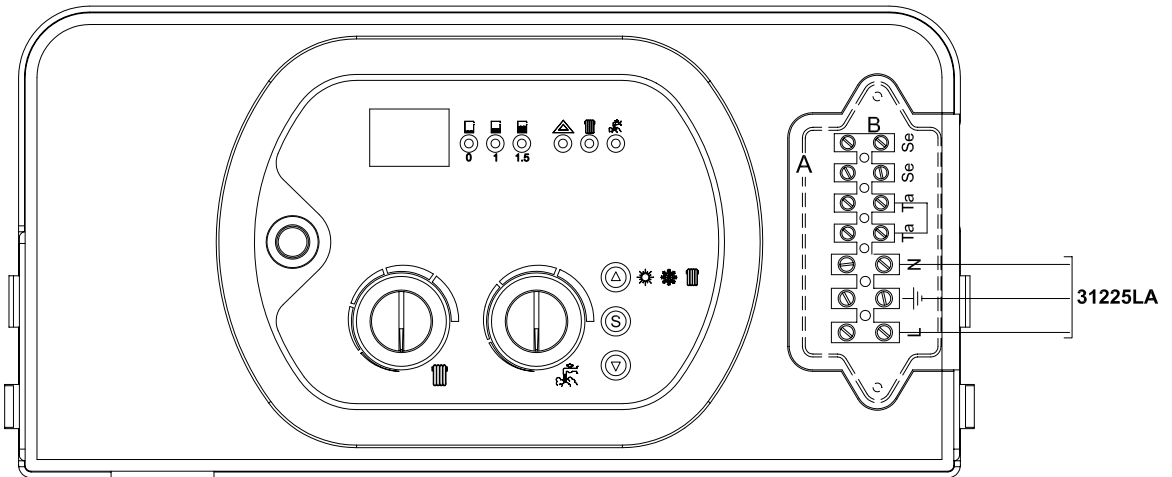
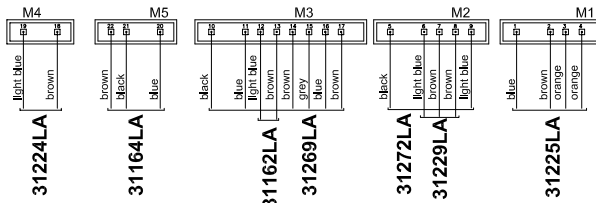
DISPLAY DIGITAL BOARD 2000 SKO6206
76654LA



31054LA
31055LA



ELECTRONIC IGNITION BOARD
S4565QM1012 code 76631LA



Pos.	Code	Description:	U.M.	Qt.
		Description: Wall hung boiler - with D.H.W. storage cylinder spare parts ELECTRIC SYSTEM		
		Object / model: mod. RBA CS 100 E <i>room sealed - electronic ignition</i>		
		Date: 15.09.2004	A992A412B371	methane
		Scale: —	A992B412B371	L.P.G.
		Department: tecnico		
		Designed by:		heavy oil
		Controlled by:		
		Approved by:	Sheet no.:	B0378_AE1

ALL DESCRIPTIONS AND ILLUSTRATIONS CONTAINED IN THIS LEAFLET HAVE BEEN CAREFULLY PREPARED BUT WE RESERVE THE RIGHT TO MAKE CHANGES AND IMPROVEMENTS IN OUR PRODUCTS WHICH MAY AFFECT THE ACCURACY OF THE INFORMATION CONTAINED IN THIS LEAFLET, E + OE ALL RIGHTS RESERVED. NO PART OF THIS DOCUMENT MAY BE REPRODUCED, STORED IN STORAGE SYSTEMS OR TRANSMITTED IN ANY FORM OR BY ANY MEANS, WHETHER ELECTRONIC, MECHANICAL, PHOTOCOPIING, RECORDING OR OTHERS, WITHOUT THE MANUFACTURER'S PRIOR AUTHORIZATION IN WRITING.