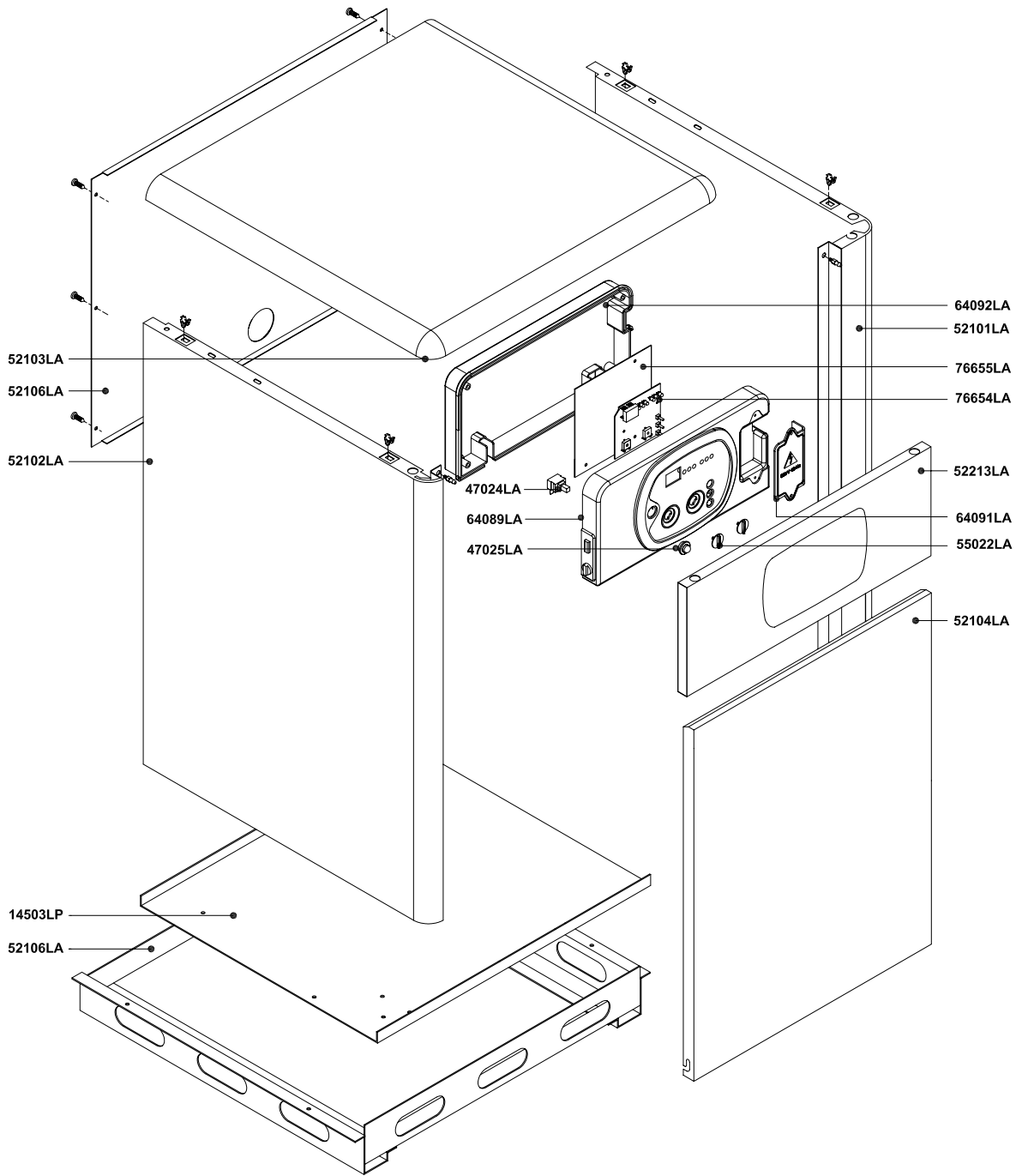
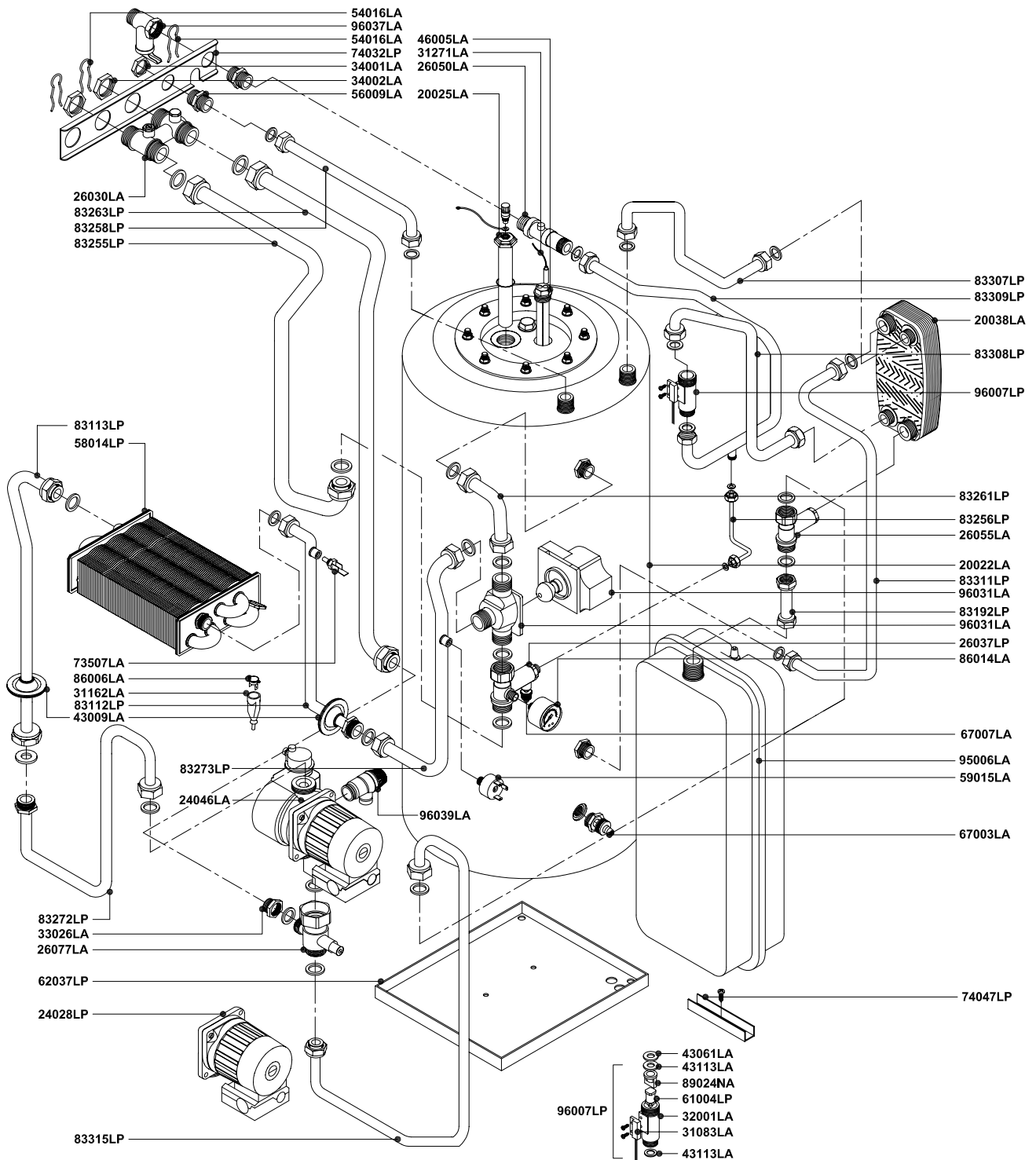


Rev.	Description	Date
------	-------------	------



Pos.	Code	Description:	Date:	U.M.	Qt.
		Description: Wall hung boiler - with D.H.W. storage cylinder spare parts FRAME + CASING COMPONENTS	15.09.2004	A992A412B351	methane
		Object / model: mod. RBA CS 24 E <i>room sealed - electronic ignition</i>	Scale: ---	A992B412B351	L.P.G.
			Department: tecnico		
			Designed by:		heavy oil
			Controlled by:		
			Approved by:	Sheet no.:	B0367_AE1
<small>ALL DESCRIPTIONS AND ILLUSTRATIONS CONTAINED IN THIS LEAFLET HAVE BEEN CAREFULLY PREPARED BUT WE RESERVE THE RIGHT TO MAKE CHANGES AND IMPROVEMENTS IN OUR PRODUCTS WHICH MAY AFFECT THE ACCURACY OF THE INFORMATION CONTAINED IN THIS LEAFLET, E + OE ALL RIGHTS RESERVED. NO PART OF THIS DOCUMENT MAY BE REPRODUCED, SAVED IN STORAGE SYSTEMS OR TRANSMITTED IN ANY FORM OR BY ANY MEANS, WHETHER ELECTRONIC, MECHANICAL, PHOTOCOPIING, RECORDING OR OTHERS, WITHOUT THE MANUFACTURERS PRIOR AUTHORIZATION IN WRITING.</small>					



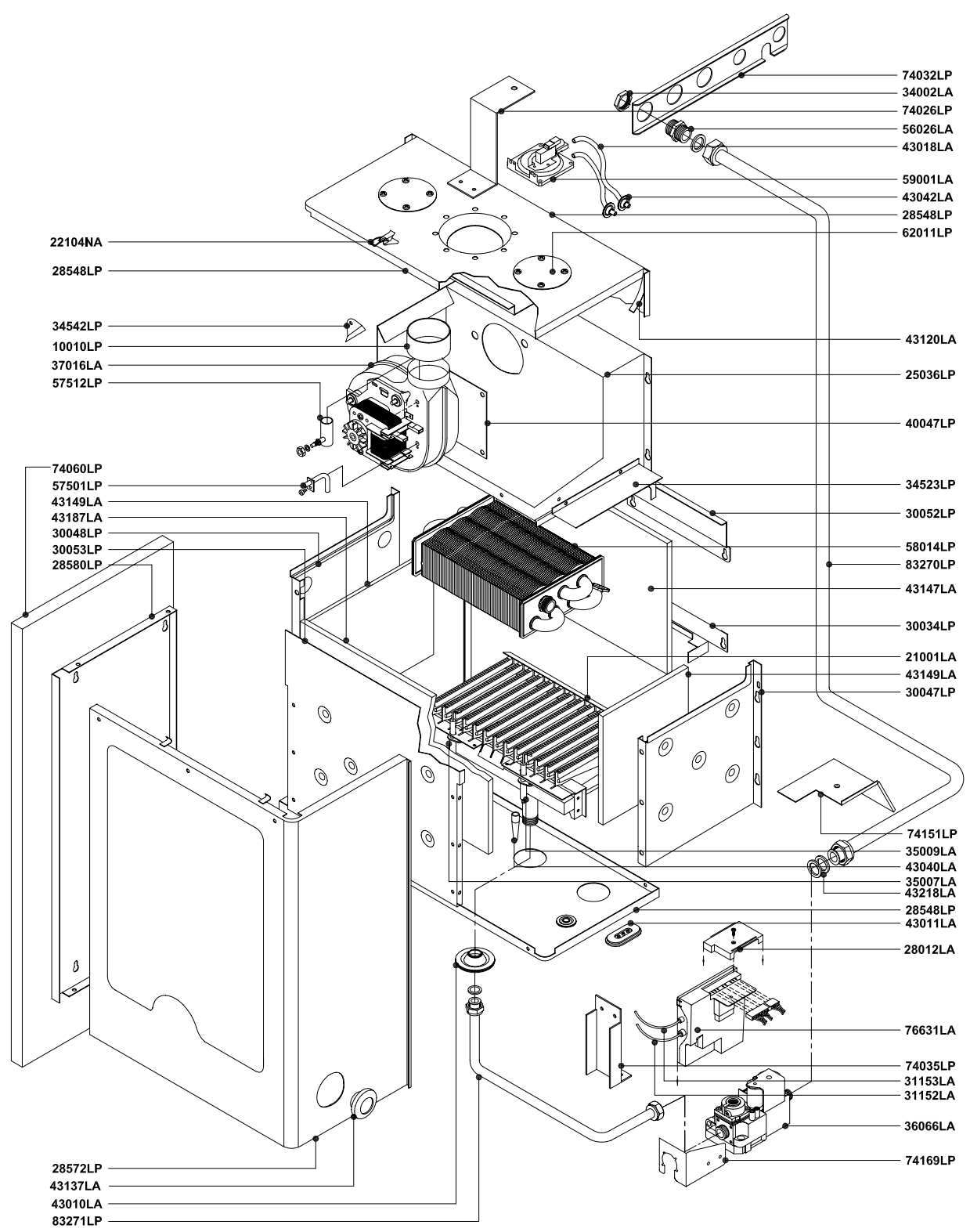


Pos.	Code	Description:	U.M.	Qt.
		Description:	Date: 15.02.2005	A992A412B351 methane
		Wall hung boiler - with D.H.W. storage cylinder spare parts	Scale: ---	A992B412B351 L.P.G.
		HYDRAULIC SYSTEM	Department: tecnico	
		Object / model:	Designed by:	heavy oil
		mod. RBA CS 24 E	Controlled by:	
		<i>room sealed - electronic ignition</i>	Approved by:	Sheet no.: B0368_AE1
<small>ALL DESCRIPTIONS AND ILLUSTRATIONS CONTAINED IN THIS LEAFLET HAVE BEEN CAREFULLY PREPARED BUT WE RESERVE THE RIGHT TO MAKE CHANGES AND IMPROVEMENTS IN OUR PRODUCTS WHICH MAY AFFECT THE ACCURACY OF THE INFORMATION CONTAINED IN THIS LEAFLET, E + OE ALL RIGHTS RESERVED. NO PART OF THIS DOCUMENT MAY BE REPRODUCED, SAVED IN STORAGE SYSTEMS OR TRANSMITTED IN ANY FORM OR BY ANY MEANS, WHETHER ELECTRONIC, MECHANICAL, PHOTOCOPIING, RECORDING OR OTHERS, WITHOUT THE MANUFACTURERS PRIOR AUTHORISATION IN WRITING.</small>				



RADIANT BRUCIATORI S.p.A.

Rev.	Description	Date
------	-------------	------

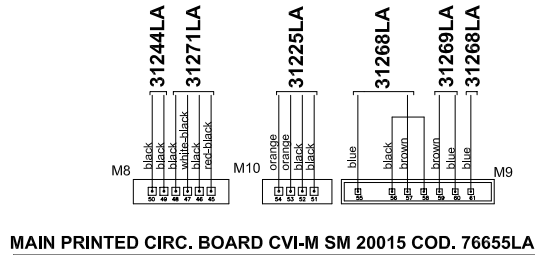


- 22104NA
- 28548LP
- 34542LP
- 10010LP
- 37016LA
- 57512LP
- 74060LP
- 57501LP
- 43149LA
- 43187LA
- 30048LP
- 30053LP
- 28580LP
- 28572LP
- 43137LA
- 43010LA
- 83271LP

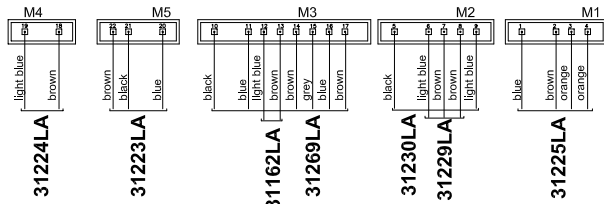
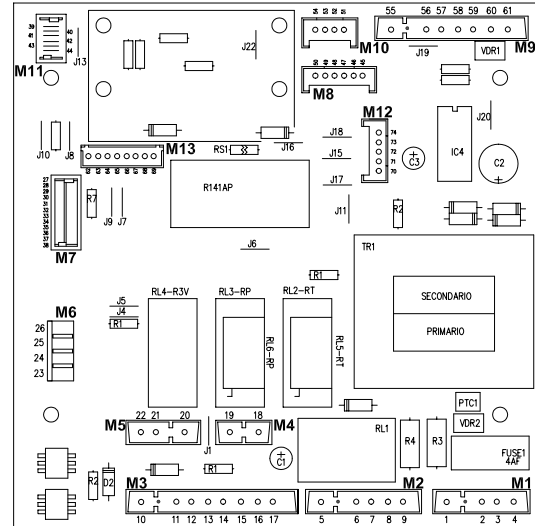
- 74032LP
- 34002LA
- 74026LP
- 56026LA
- 43018LA
- 59001LA
- 43042LA
- 28548LP
- 62011LP
- 43120LA
- 25036LP
- 40047LP
- 34523LP
- 30052LP
- 58014LP
- 83270LP
- 43147LA
- 30034LP
- 21001LA
- 43149LA
- 30047LP
- 74151LP
- 35009LA
- 43040LA
- 35007LA
- 43218LA
- 28548LP
- 43011LA
- 28012LA
- 76631LA
- 74035LP
- 31153LA
- 31152LA
- 36066LA
- 74169LP

Pos.	Code	Description:	U.M.	Qt.
		Description: Wall hung boiler - with D.H.W. storage cylinder spare parts THERMAL SYSTEM		
		Object / model: mod. RBA CS 24 E <i>room sealed - electronic ignition</i>		
		Date: 15.09.2004	A992A412B351	methane
		Scale: —	A992B412B351	L.P.G.
		Department: tecnico		
		Designed by:		heavy oil
		Controlled by:		
		Approved by:	Sheet no.:	B0369_AE1

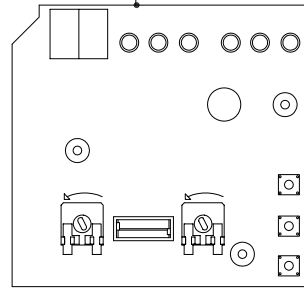
ALL DESCRIPTIONS AND ILLUSTRATIONS CONTAINED IN THIS LEAFLET HAVE BEEN CAREFULLY PREPARED BUT WE RESERVE THE RIGHT TO MAKE CHANGES AND IMPROVEMENTS IN OUR PRODUCTS WHICH MAY AFFECT THE ACCURACY OF THE INFORMATION CONTAINED IN THIS LEAFLET. E + OE ALL RIGHTS RESERVED. NO PART OF THIS DOCUMENT MAY BE REPRODUCED, SAVED IN STORAGE SYSTEMS OR TRANSMITTED IN ANY FORM OR BY ANY MEANS, WHETHER ELECTRONIC, MECHANICAL, PHOTOCOPIING, RECORDING OR OTHERS, WITHOUT THE MANUFACTURERS PRIOR AUTHORISATION IN WRITING.



MAIN PRINTED CIRC. BOARD CVI-M SM 20015 COD. 76655LA

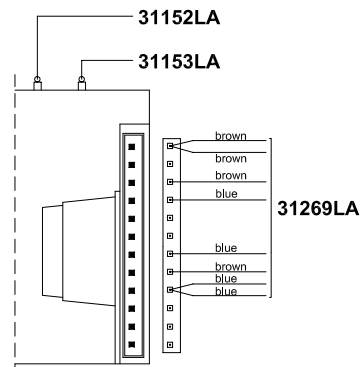


DISPLAY DIGITAL BOARD 2000 SKO6206
76654LA

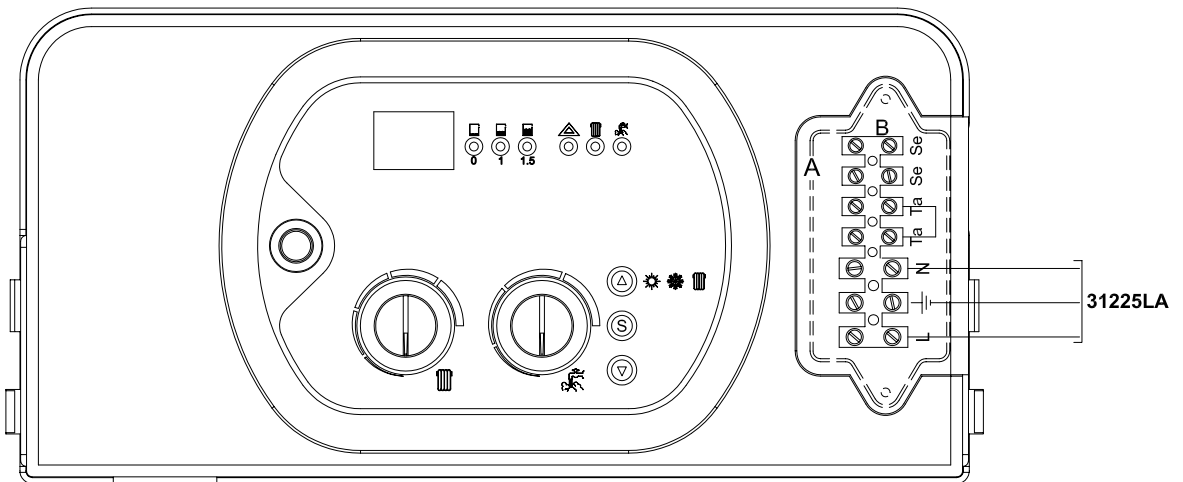


31152LA

31153LA



ELECTRONIC IGNITION BOARD
S4565QM1012 code 76631LA



Pos.	Code	Description:	U.M.	Qt.
		Description: Wall hung boiler - with D.H.W. storage cylinder spare parts ELECTRIC SYSTEM		
		Object / model: mod. RBA CS 24 E <i>room sealed - electronic ignition</i>		
		Date: 15.09.2004	A992A412B351	methane
		Scale: —	A992B412B351	L.P.G.
		Department: tecnico		
		Designed by:		heavy oil
		Controlled by:		
		Approved by:	Sheet no.:	B0370_AE1

ALL DESCRIPTIONS AND ILLUSTRATIONS CONTAINED IN THIS LEAFLET HAVE BEEN CAREFULLY PREPARED BUT WE RESERVE THE RIGHT TO MAKE CHANGES AND IMPROVEMENTS IN OUR PRODUCTS WHICH MAY AFFECT THE ACCURACY OF THE INFORMATION CONTAINED IN THIS LEAFLET, E + OE ALL RIGHTS RESERVED. NO PART OF THIS DOCUMENT MAY BE REPRODUCED, STORED IN STORAGE SYSTEMS OR TRANSMITTED IN ANY FORM OR BY ANY MEANS, WHETHER ELECTRONIC, MECHANICAL, PHOTOCOPIING, RECORDING OR OTHERWISE, WITHOUT THE MANUFACTURER'S PRIOR AUTHORIZATION IN WRITING.

