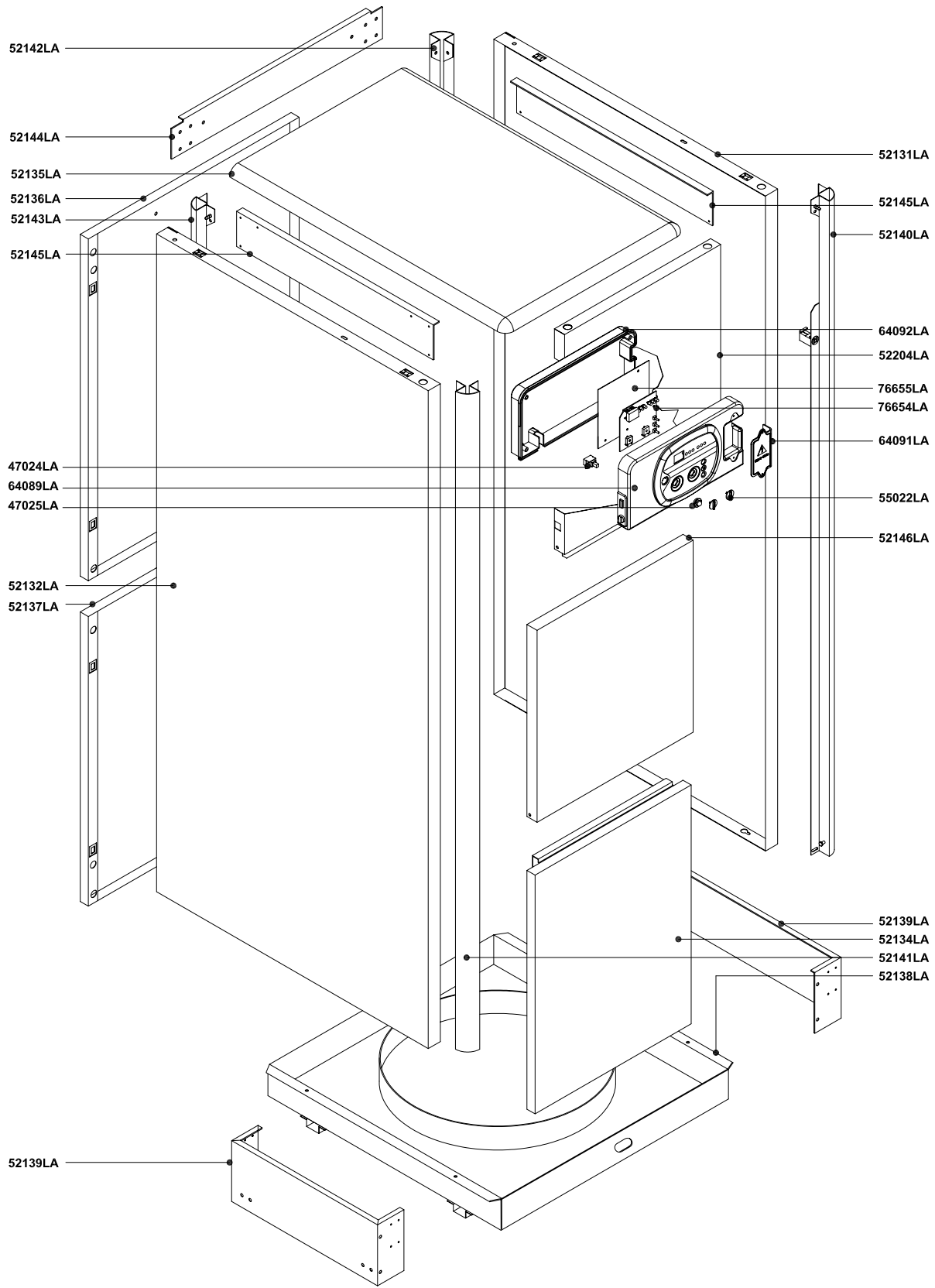


Rev.	Description	Date
------	-------------	------

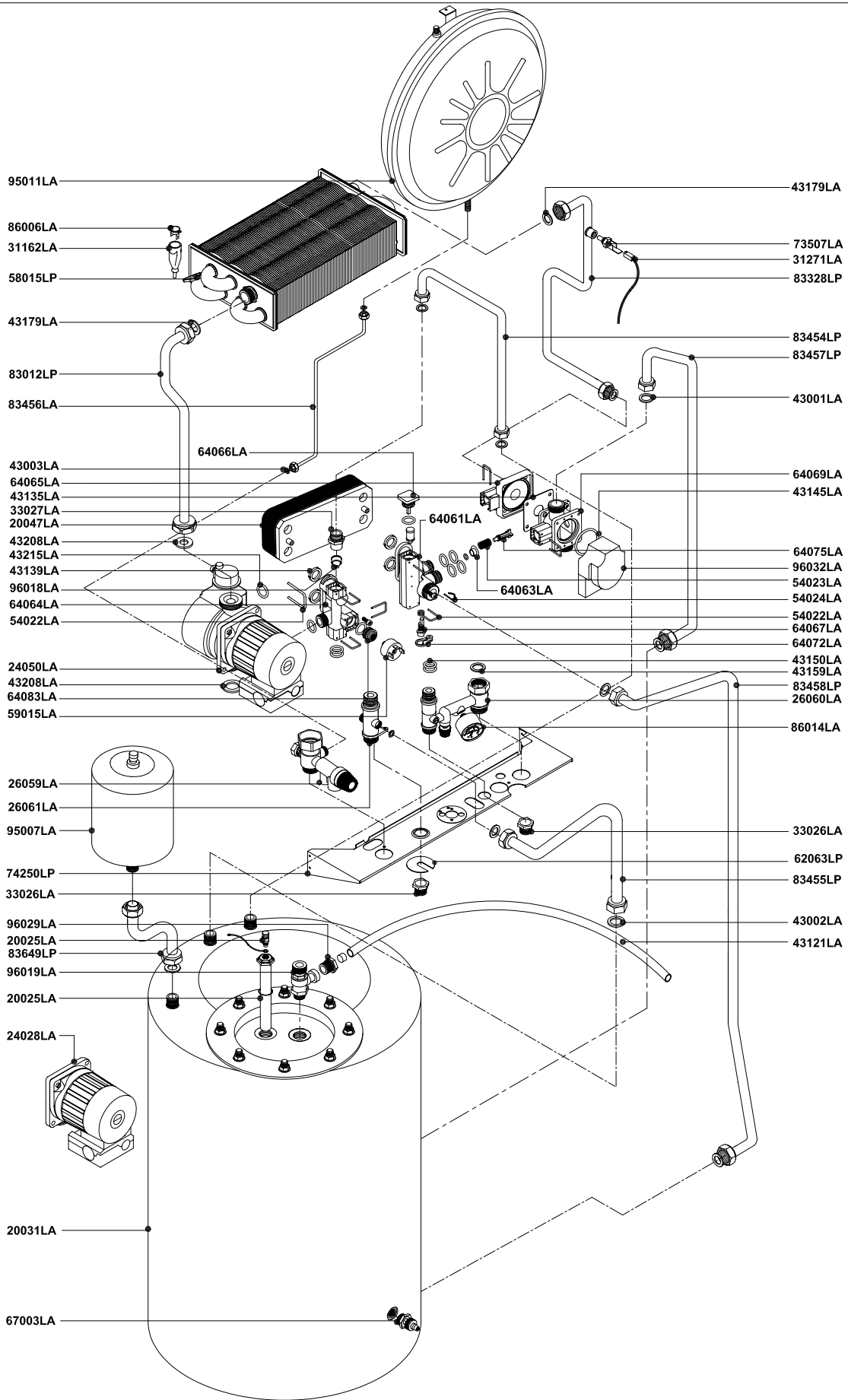


Pos.	Code	Description:	U.M.	Qt.
		Date: 15.09.2004	A992A412B471	methane
		Scale: ---	A992B412B471	L.P.G.
		Department: tecnico		
		Designed by:		heavy oil
		Controlled by:		
		Approved by:	Sheet no.:	<b>B0379_AE1</b>
 <b>RADIANT BRUCIATORI S.p.A.</b> Object / model: <b>mod. RBA CS 30/100</b> <i>room sealed - electronic ignition</i>				
<small>ALL DESCRIPTIONS AND ILLUSTRATIONS CONTAINED IN THIS LEAFLET HAVE BEEN CAREFULLY PREPARED BUT WE RESERVE THE RIGHT TO MAKE CHANGES AND IMPROVEMENTS IN OUR PRODUCTS WHICH MAY AFFECT THE ACCURACY OF THE INFORMATION CONTAINED IN THIS LEAFLET, E + OE ALL RIGHTS RESERVED. NO PART OF THIS DOCUMENT MAY BE REPRODUCED, SAVED IN STORAGE SYSTEMS OR TRANSMITTED IN ANY FORM OR BY ANY MEANS, WHETHER ELECTRONIC, MECHANICAL, PHOTOCOPIING, RECORDING OR OTHERS, WITHOUT THE MANUFACTURERS PRIOR AUTHORISATION IN WRITING.</small>				

Rev.

Description

Date



Pos.	Code	Description:	U.M.	Qt.
		Date: 15.09.2004	A992A412B471	methane
		Scale: ---	A992B412B471	L.P.G.
		Department: tecnico		
		Designed by:		heavy oil
		Controlled by:		
		Approved by:	Sheet no.:	<b>B0380_AE1</b>
<p>ALL DESCRIPTIONS AND ILLUSTRATIONS CONTAINED IN THIS LEAFLET HAVE BEEN CAREFULLY PREPARED BUT WE RESERVE THE RIGHT TO MAKE CHANGES AND IMPROVEMENTS IN OUR PRODUCTS WHICH MAY AFFECT THE ACCURACY OF THE INFORMATION CONTAINED IN THIS LEAFLET, E + 0E ALL RIGHTS RESERVED. NO PART OF THIS DOCUMENT MAY BE REPRODUCED, STORED IN STORAGE SYSTEMS OR TRANSMITTED IN ANY FORM OR BY ANY MEANS, WHETHER ELECTRONIC, MECHANICAL, PHOTOCOPIING, RECORDING OR OTHERWISE, WITHOUT THE MANUFACTURER'S PRIOR AUTHORISATION IN WRITING.</p>				



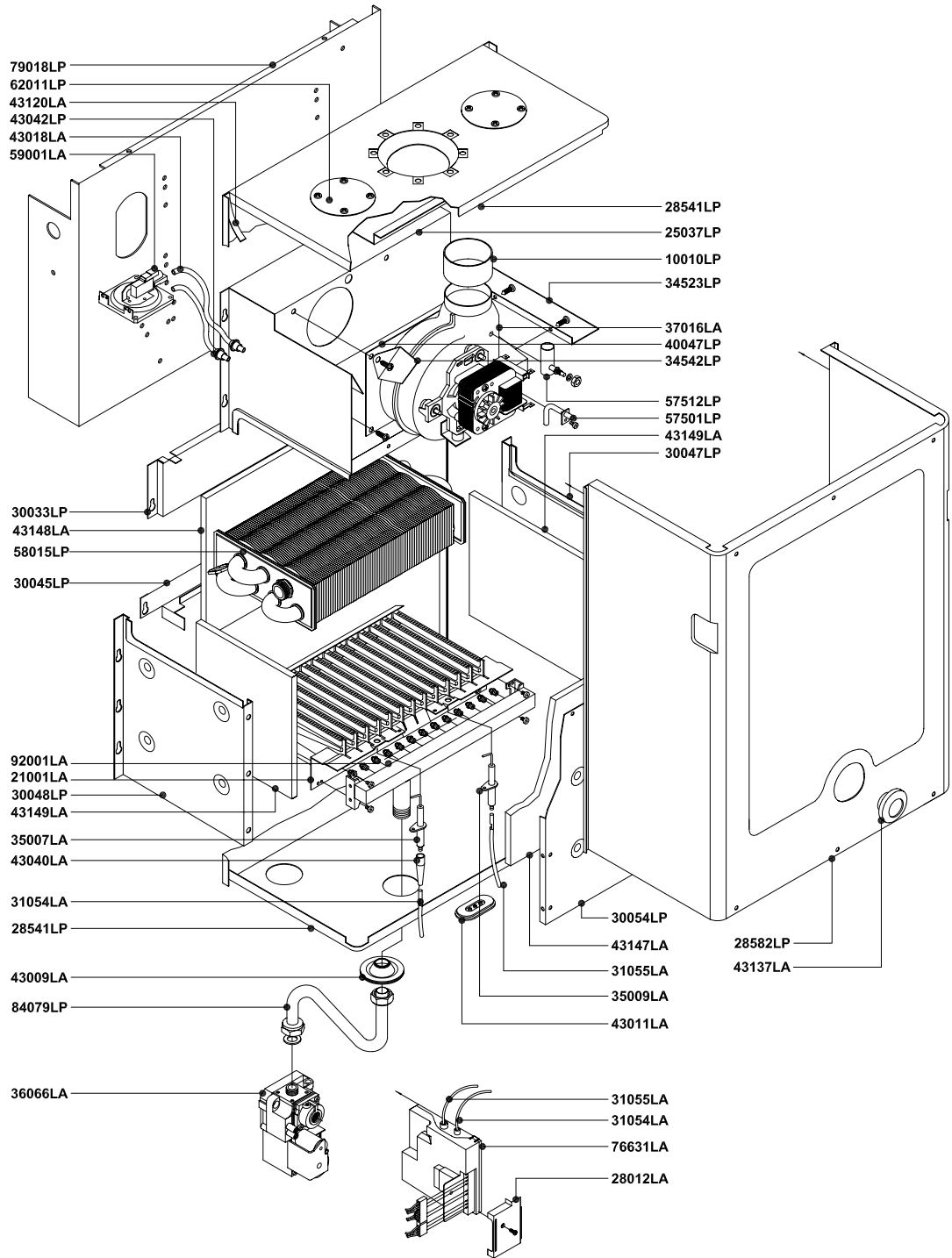
RADIANT BRUCIATORI S.p.A.

Description:  
**Wall hung boiler - with D.H.W. storage cylinder spare parts**  
**HYDRAULIC SYSTEM**  
 Object / model:  
**mod. RBA CS 30/100**  
*room sealed - electronic ignition*

Code no.:

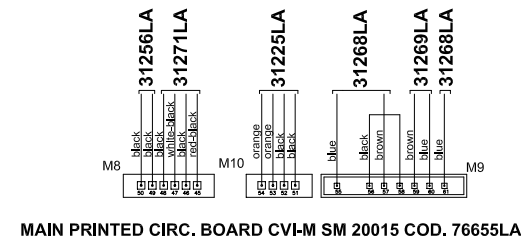
Sheet no.:

**B0380\_AE1**

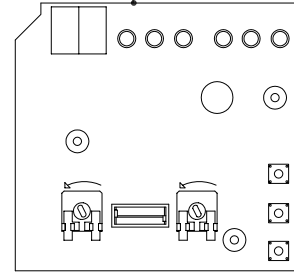


Pos.	Code	Description:		U.M.	Qt.
		Description:	Date: 15.09.2004	A992A412B471	methane
		<b>Wall hung boiler - with D.H.W. storage cylinder spare parts</b>	Scale: ---	A992B412B471	L.P.G.
		<b>THERMAL SYSTEM</b>	Department: tecnico		
		Object / model:	Designed by:		heavy oil
		<b>mod. RBA CS 30/100</b>	Controlled by:		
		<i>room sealed - electronic ignition</i>	Approved by:	Sheet no.:	<b>B0381_AE1</b>
<small>ALL DESCRIPTIONS AND ILLUSTRATIONS CONTAINED IN THIS LEAFLET HAVE BEEN CAREFULLY PREPARED BUT WE RESERVE THE RIGHT TO MAKE CHANGES AND IMPROVEMENTS IN OUR PRODUCTS WHICH MAY AFFECT THE ACCURACY OF THE INFORMATION CONTAINED IN THIS LEAFLET, E + OE ALL RIGHTS RESERVED. NO PART OF THIS DOCUMENT MAY BE REPRODUCED, SAVED IN STORAGE SYSTEMS OR TRANSMITTED IN ANY FORM OR BY ANY MEANS, WHETHER ELECTRONIC, MECHANICAL, PHOTOCOPIING, RECORDING OR OTHERS, WITHOUT THE MANUFACTURERS PRIOR AUTHORISATION IN WRITING.</small>					

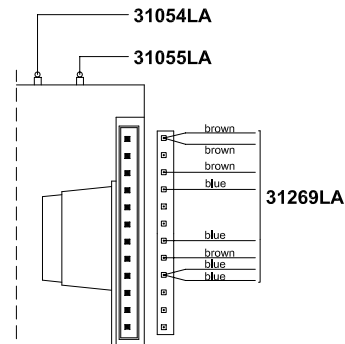
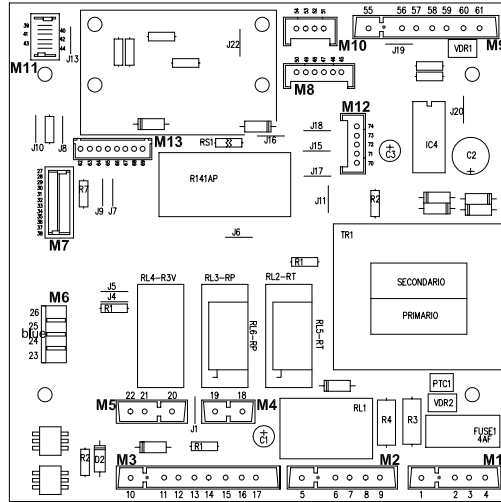




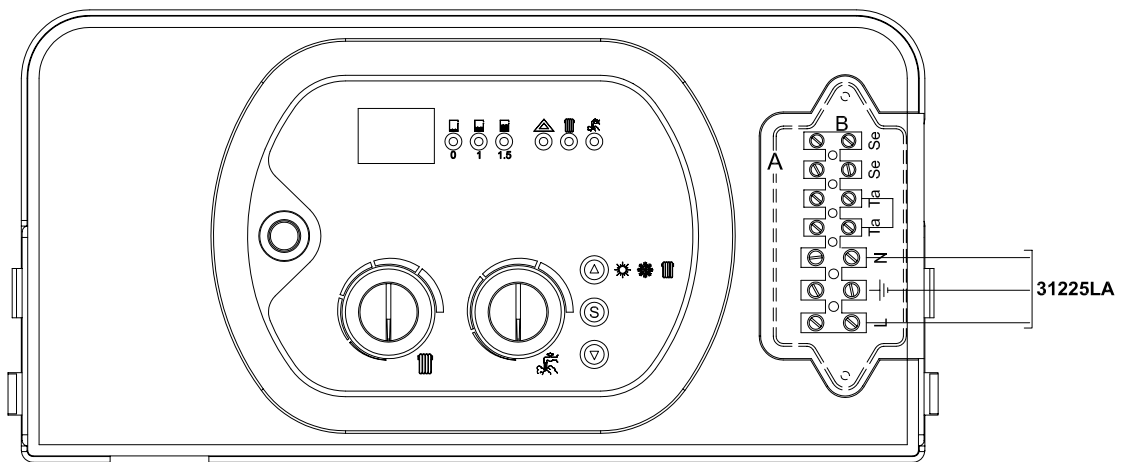
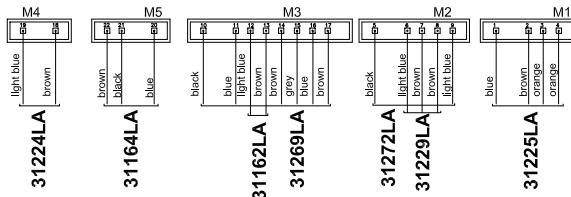
DISPLAY DIGITAL BOARD 2000 SKO6206  
76654LA



MAIN PRINTED CIRC. BOARD CVI-M SM 20015 COD. 76655LA



ELECTRONIC IGNITION BOARD  
S4565QM1012 code 76631LA



Pos.	Code	Description:	U.M.	Qt.
		Description: <b>Wall hung boiler - with D.H.W. storage cylinder spare parts</b> <b>ELECTRIC SYSTEM</b>		
		Object / model: <b>mod. RBA CS 30/100</b> room sealed - electronic ignition		
		Date: 15.09.2004	A992A412B471	methane
		Scale: ---	A992B412B471	L.P.G.
		Department: tecnico		
		Designed by:		heavy oil
		Controlled by:		
		Approved by:	Sheet no.:	<b>B0382_AE1</b>

ALL DESCRIPTIONS AND ILLUSTRATIONS CONTAINED IN THIS LEAFLET HAVE BEEN CAREFULLY PREPARED BUT WE RESERVE THE RIGHT TO MAKE CHANGES AND IMPROVEMENTS IN OUR PRODUCTS WHICH MAY AFFECT THE ACCURACY OF THE INFORMATION CONTAINED IN THIS LEAFLET, E + OE ALL RIGHTS RESERVED. NO PART OF THIS DOCUMENT MAY BE REPRODUCED, SAVED IN STORAGE SYSTEMS OR TRANSMITTED IN ANY FORM OR BY ANY MEANS, WHETHER ELECTRONIC, MECHANICAL, PHOTOCOPIING, RECORDING OR OTHERWISE, WITHOUT THE MANUFACTURER'S PRIOR AUTHORIZATION IN WRITING.