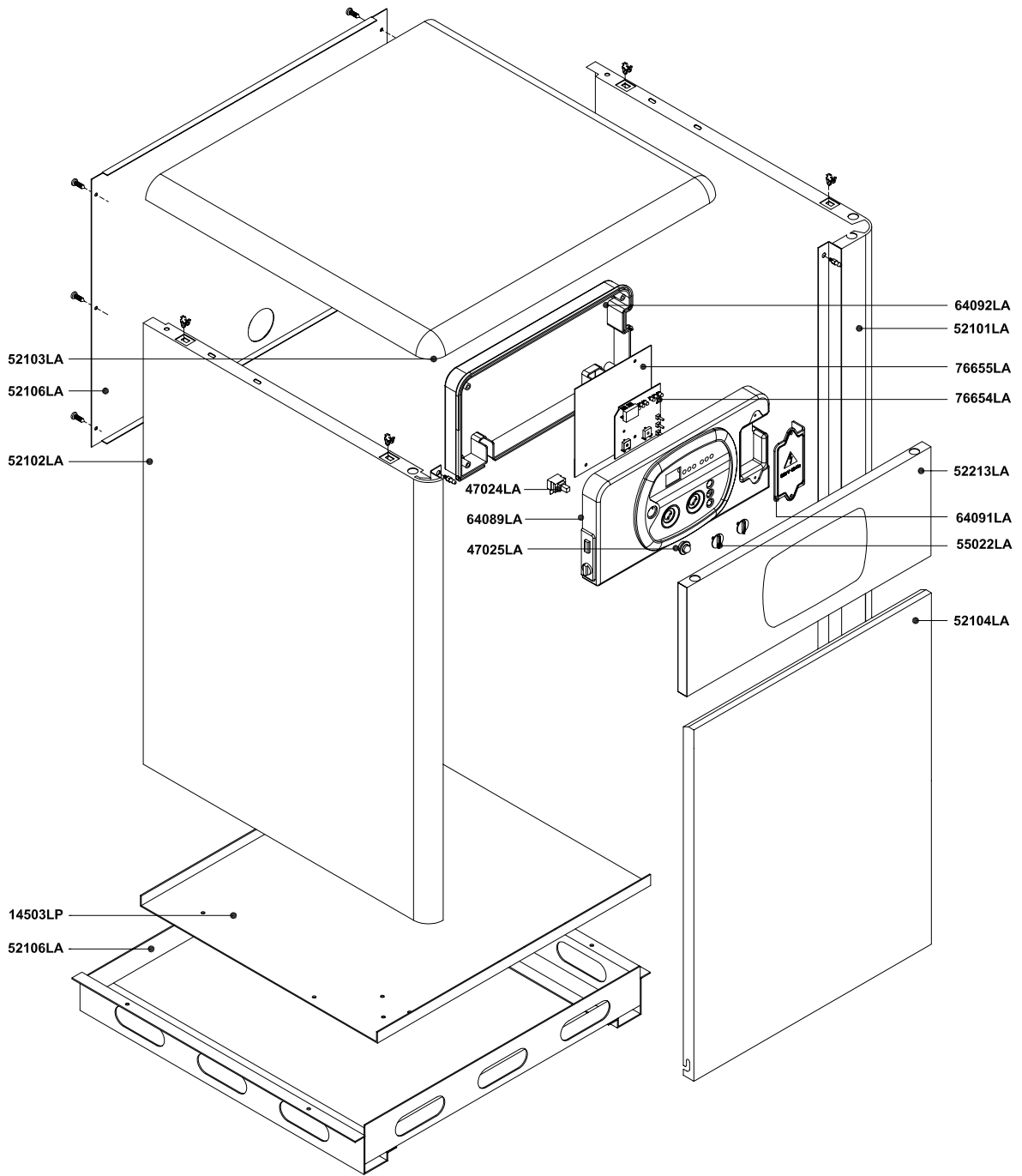
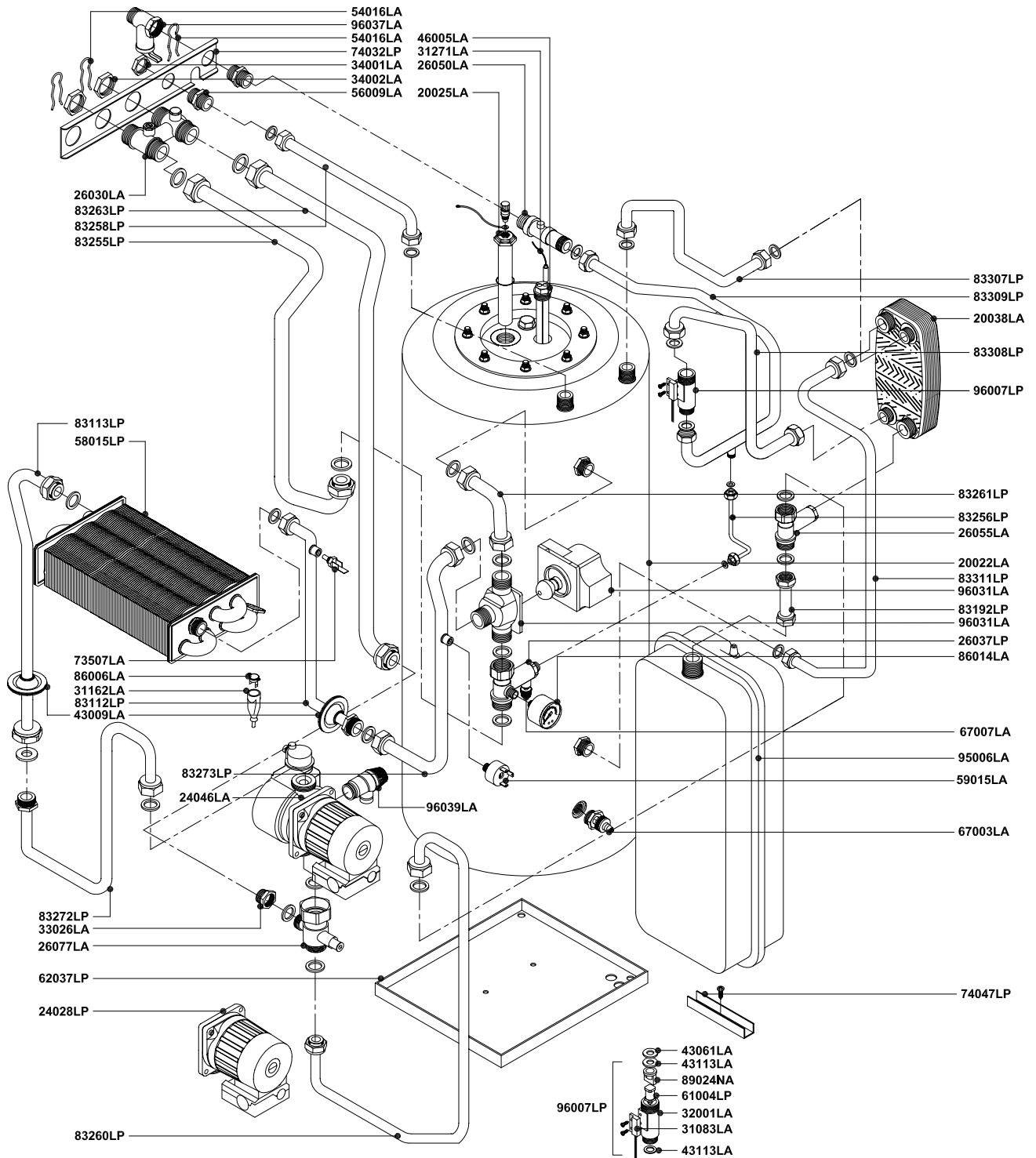


Rev.	Description	Date
------	-------------	------



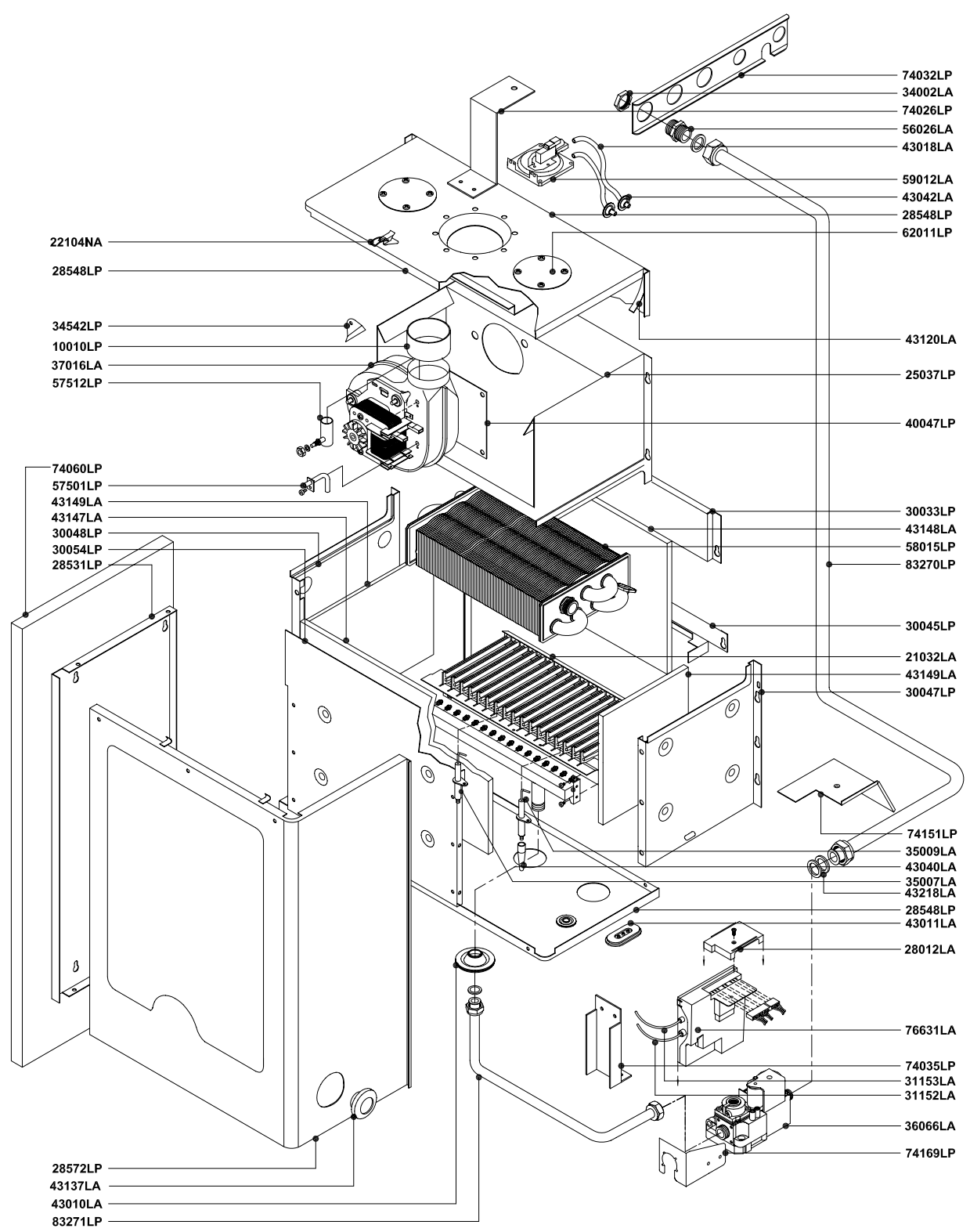
Pos.	Code	Description:		U.M.	Qt.
		Description:	Date: 15.09.2004	A992A412B451	methane
		<b>Wall hung boiler - with D.H.W. storage cylinder spare parts</b>	Scale: —	A992B412B451	L.P.G.
		<b>FRAME + CASING COMPONENTS</b>	Department: tecnico		
		Object / model:	Designed by:		heavy oil
		<b>mod. RBA CS 30</b>	Controlled by:		
		<i>room sealed - electronic ignition</i>	Approved by:	Sheet no.:	<b>B0371_AE1</b>
<small>ALL DESCRIPTIONS AND ILLUSTRATIONS CONTAINED IN THIS LEAFLET HAVE BEEN CAREFULLY PREPARED BUT WE RESERVE THE RIGHT TO MAKE CHANGES AND IMPROVEMENTS IN OUR PRODUCTS WHICH MAY AFFECT THE ACCURACY OF THE INFORMATION CONTAINED IN THIS LEAFLET, E + OE ALL RIGHTS RESERVED. NO PART OF THIS DOCUMENT MAY BE REPRODUCED, SAVED IN STORAGE SYSTEMS OR TRANSMITTED IN ANY FORM OR BY ANY MEANS, WHETHER ELECTRONIC, MECHANICAL, PHOTOCOPIING, RECORDING OR OTHERS, WITHOUT THE MANUFACTURERS PRIOR AUTHORISATION IN WRITING.</small>					





Pos.	Code	Description:	U.M.	Qt.
		Description:	Date: 15.02.2005	A992A412B451 methane
		<b>Wall hung boiler - with D.H.W. storage cylinder spare parts</b>	Scale: —	A992B412B451 L.P.G.
		<b>HYDRAULIC SYSTEM</b>	Department: tecnico	
		Object / model:	Designed by:	heavy oil
		<b>mod. RBA CS 30</b>	Controlled by:	
		<i>room sealed - electronic ignition</i>	Approved by:	Sheet no.: <b>B0372_AE1</b>
<b>RADIANT</b> <small>RADIANT BRUCIATORI S.p.A.</small>				
<small>ALL DESCRIPTIONS AND ILLUSTRATIONS CONTAINED IN THIS LEAFLET HAVE BEEN CAREFULLY PREPARED BUT WE RESERVE THE RIGHT TO MAKE CHANGES AND IMPROVEMENTS IN OUR PRODUCTS WHICH MAY AFFECT THE ACCURACY OF THE INFORMATION CONTAINED IN THIS LEAFLET, E + OE ALL RIGHTS RESERVED. NO PART OF THIS DOCUMENT MAY BE REPRODUCED, SAVED IN STORAGE SYSTEMS OR TRANSMITTED IN ANY FORM OR BY ANY MEANS, WHETHER ELECTRONIC, MECHANICAL, PHOTOCOPIING, RECORDING OR OTHERS, WITHOUT THE MANUFACTURERS PRIOR AUTHORISATION IN WRITING.</small>				

Rev.	Description	Date
------	-------------	------

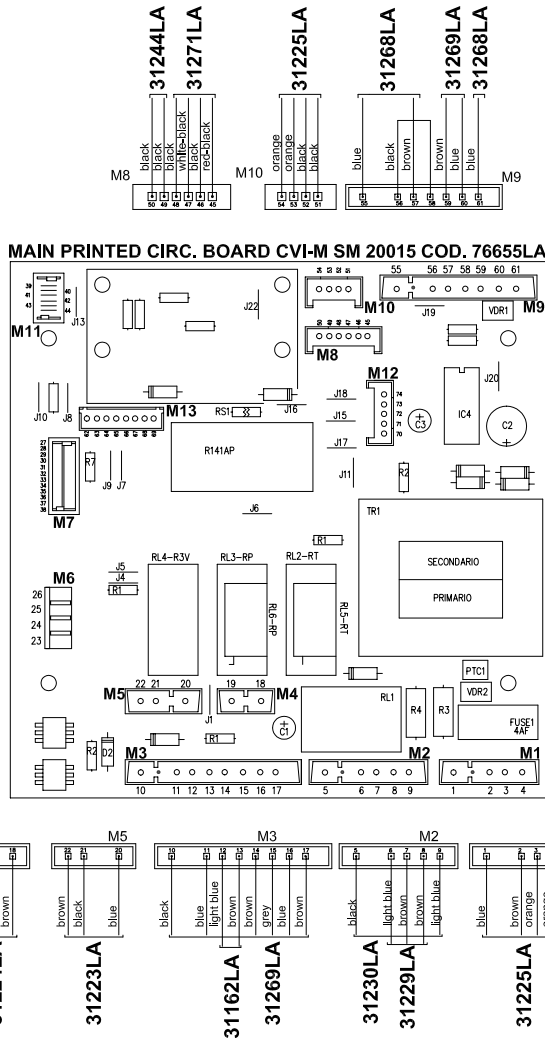


- 22104NA
- 28548LP
- 34542LP
- 10010LP
- 37016LA
- 57512LP
- 74060LP
- 57501LP
- 43149LA
- 43147LA
- 30048LP
- 30054LP
- 28531LP
- 28572LP
- 43137LA
- 43010LA
- 83271LP

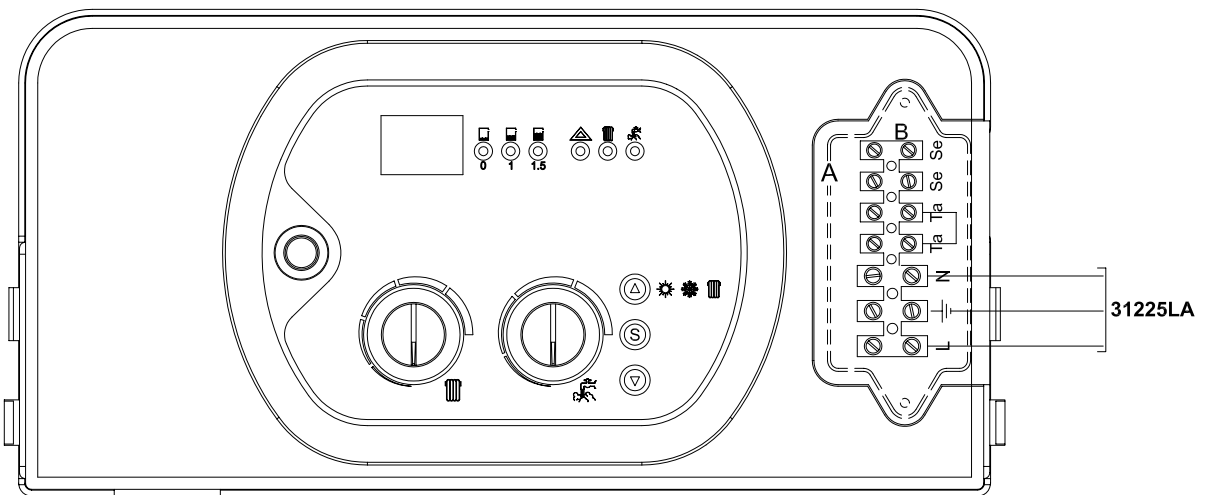
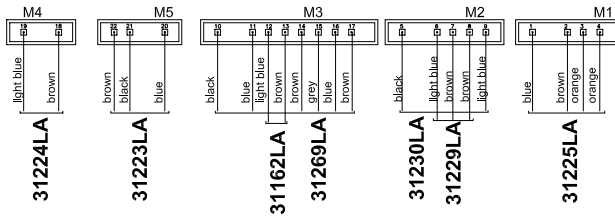
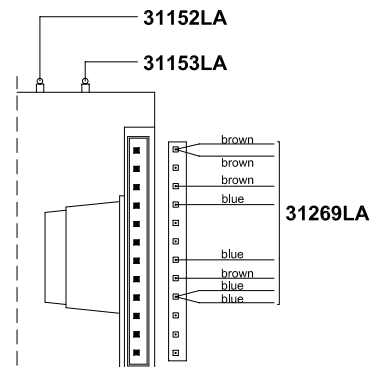
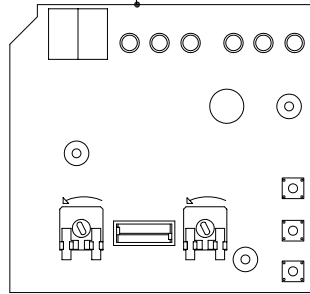
- 74032LP
- 34002LA
- 74026LP
- 56026LA
- 43018LA
- 59012LA
- 43042LA
- 28548LP
- 62011LP
- 43120LA
- 25037LP
- 40047LP
- 30033LP
- 43148LA
- 58015LP
- 83270LP
- 30045LP
- 21032LA
- 43149LA
- 30047LP
- 74151LP
- 35009LA
- 43040LA
- 35007LA
- 43218LA
- 28548LP
- 43011LA
- 28012LA
- 76631LA
- 74035LP
- 31153LA
- 31152LA
- 36066LA
- 74169LP

Pos.	Code	Description:	U.M.	Qt.
		Description: <b>Wall hung boiler - with D.H.W. storage cylinder spare parts</b> <b>THERMAL SYSTEM</b>		
		Object / model: <b>mod. RBA CS 30</b> <i>room sealed - electronic ignition</i>		
		Date: 15.09.2004	A992A412B451	methane
		Scale: —	A992B412B451	L.P.G.
		Department: tecnico		
		Designed by:		heavy oil
		Controlled by:		
		Approved by:	Sheet no.:	<b>B0373_AE1</b>

ALL DESCRIPTIONS AND ILLUSTRATIONS CONTAINED IN THIS LEAFLET HAVE BEEN CAREFULLY PREPARED BUT WE RESERVE THE RIGHT TO MAKE CHANGES AND IMPROVEMENTS IN OUR PRODUCTS WHICH MAY AFFECT THE ACCURACY OF THE INFORMATION CONTAINED IN THIS LEAFLET. E + OE ALL RIGHTS RESERVED. NO PART OF THIS DOCUMENT MAY BE REPRODUCED, SAVED IN STORAGE SYSTEMS OR TRANSMITTED IN ANY FORM OR BY ANY MEANS, WHETHER ELECTRONIC, MECHANICAL, PHOTOCOPIING, RECORDING OR OTHERS, WITHOUT THE MANUFACTURER'S PRIOR AUTHORISATION IN WRITING.



DISPLAY DIGITAL BOARD 2000 SKO6206  
76654LA



Pos.	Code	Description:	U.M.	Qt.
		Description: <b>Wall hung boiler - with D.H.W. storage cylinder spare parts</b> <b>ELECTRIC SYSTEM</b>		
		Object / model: <b>mod. RBA CS 30</b> <i>room sealed - electronic ignition</i>		
		Date: 15.09.2004	A992A412B451	methane
		Scale: —	A992B412B451	L.P.G.
		Department: tecnico		
		Designed by:		heavy oil
		Controlled by:		
		Approved by:	Sheet no.:	<b>B0374_AE1</b>
<small>ALL DESCRIPTIONS AND ILLUSTRATIONS CONTAINED IN THIS LEAFLET HAVE BEEN CAREFULLY PREPARED BUT WE RESERVE THE RIGHT TO MAKE CHANGES AND IMPROVEMENTS IN OUR PRODUCTS WHICH MAY AFFECT THE ACCURACY OF THE INFORMATION CONTAINED IN THIS LEAFLET, E + OE ALL RIGHTS RESERVED. NO PART OF THIS DOCUMENT MAY BE REPRODUCED, SAVED IN STORAGE SYSTEMS OR TRANSMITTED IN ANY FORM OR BY ANY MEANS, WHETHER ELECTRONIC, MECHANICAL, PHOTOCOPIING, RECORDING OR OTHERS, WITHOUT THE MANUFACTURER'S PRIOR AUTHORIZATION IN WRITING.</small>				

