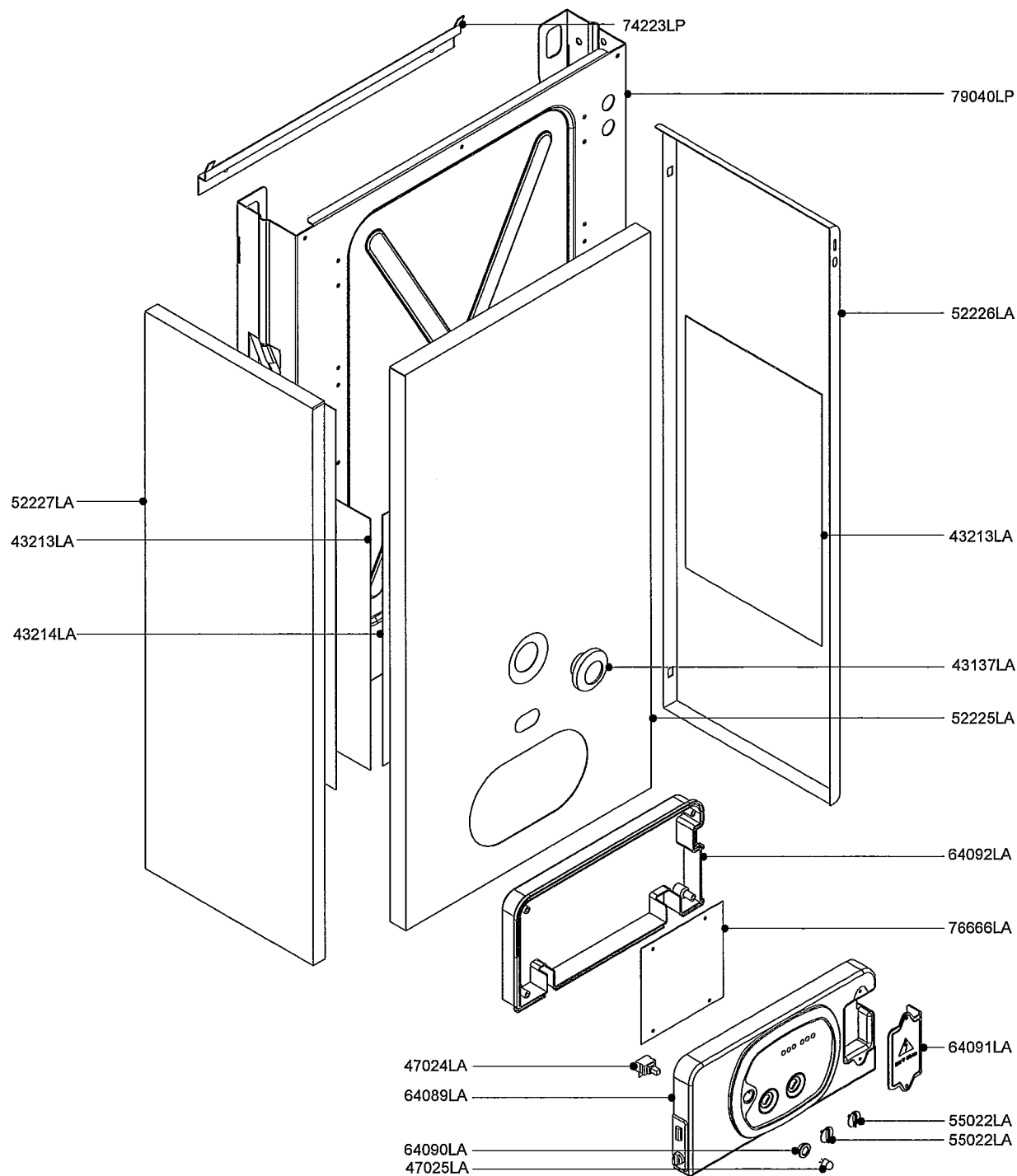

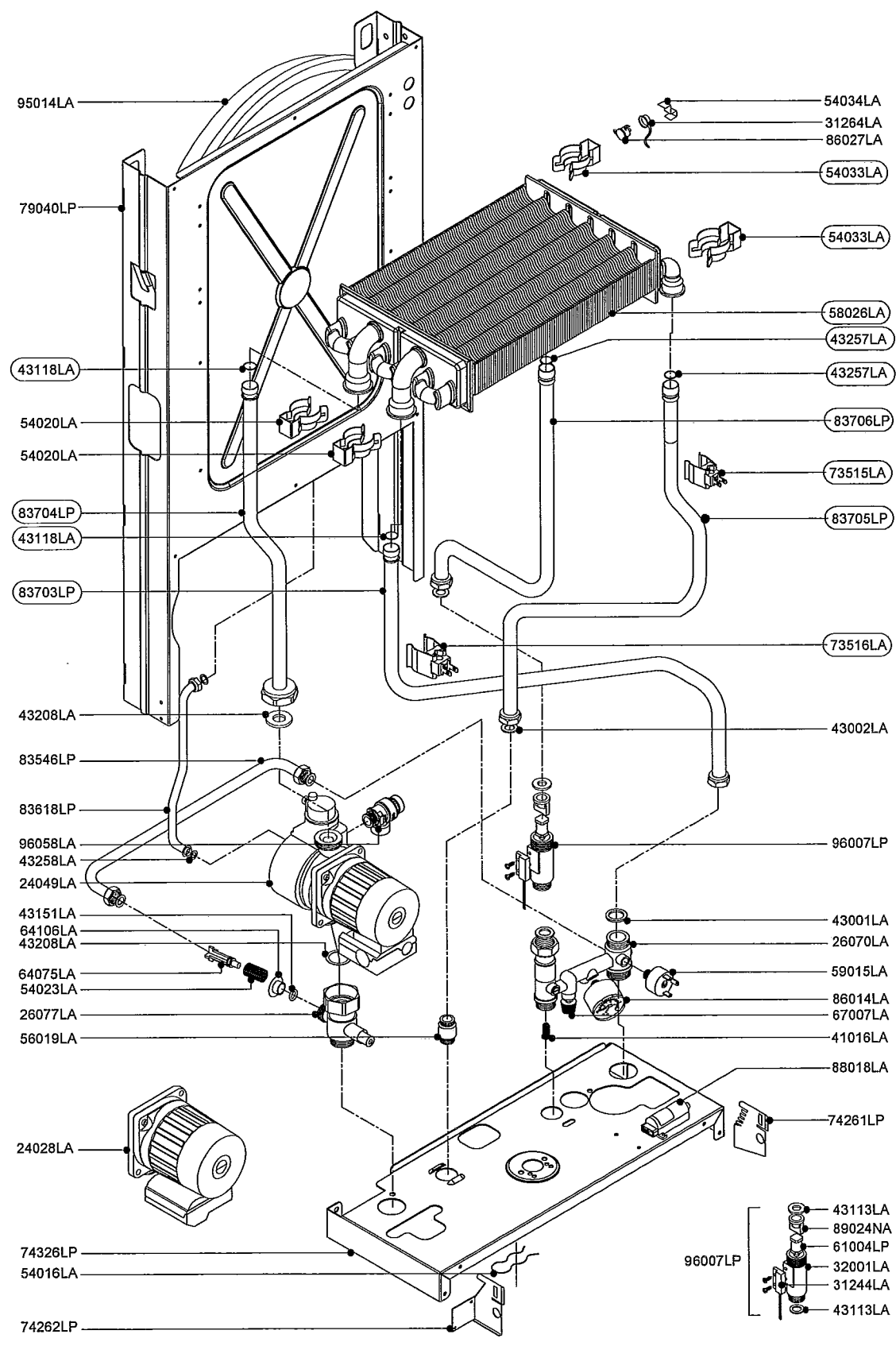


Rev.	Description	Date
------	-------------	------



Pos.	Code	Description:	U.M.	Qt.
 RADIANT BRUCIATORI S.p.A.		Description: Wall hung boiler - spare parts FRAME and CASING COMPONENTS	Date: 06.11.2006	A991A311D101 methane
		Object / model: mod. RBC 24 <i>open combustion chamber - electronic ignition</i>	Scale: ---	A991B311D101 L.P.G.
			Department: tecnico	
			Designed by:	
			Controlled by:	
			Approved by:	heavy oil
			Code no.:	
			Sheet no.:	B0505_AE1
<small>ALL DESCRIPTIONS AND ILLUSTRATIONS CONTAINED IN THIS LEAFLET HAVE BEEN CAREFULLY PREPARED BUT WE RESERVE THE RIGHT TO MAKE CHANGES AND IMPROVEMENTS IN OUR PRODUCTS WHICH MAY AFFECT THE ACCURACY OF THE INFORMATION CONTAINED IN THIS LEAFLET. E + OE ALL RIGHTS RESERVED. NO PART OF THIS DOCUMENT MAY BE REPRODUCED, STORED IN RETRIEVAL SYSTEMS OR TRANSMITTED IN ANY FORM OR BY ANY MEANS, WHETHER ELECTRONIC, MECHANICAL, PHOTOCOPYING, RECORDING OR OTHERWISE, WITHOUT THE MANUFACTURER'S PRIOR AUTHORIZATION IN WRITING.</small>				

Rev.	Description	Date
------	-------------	------

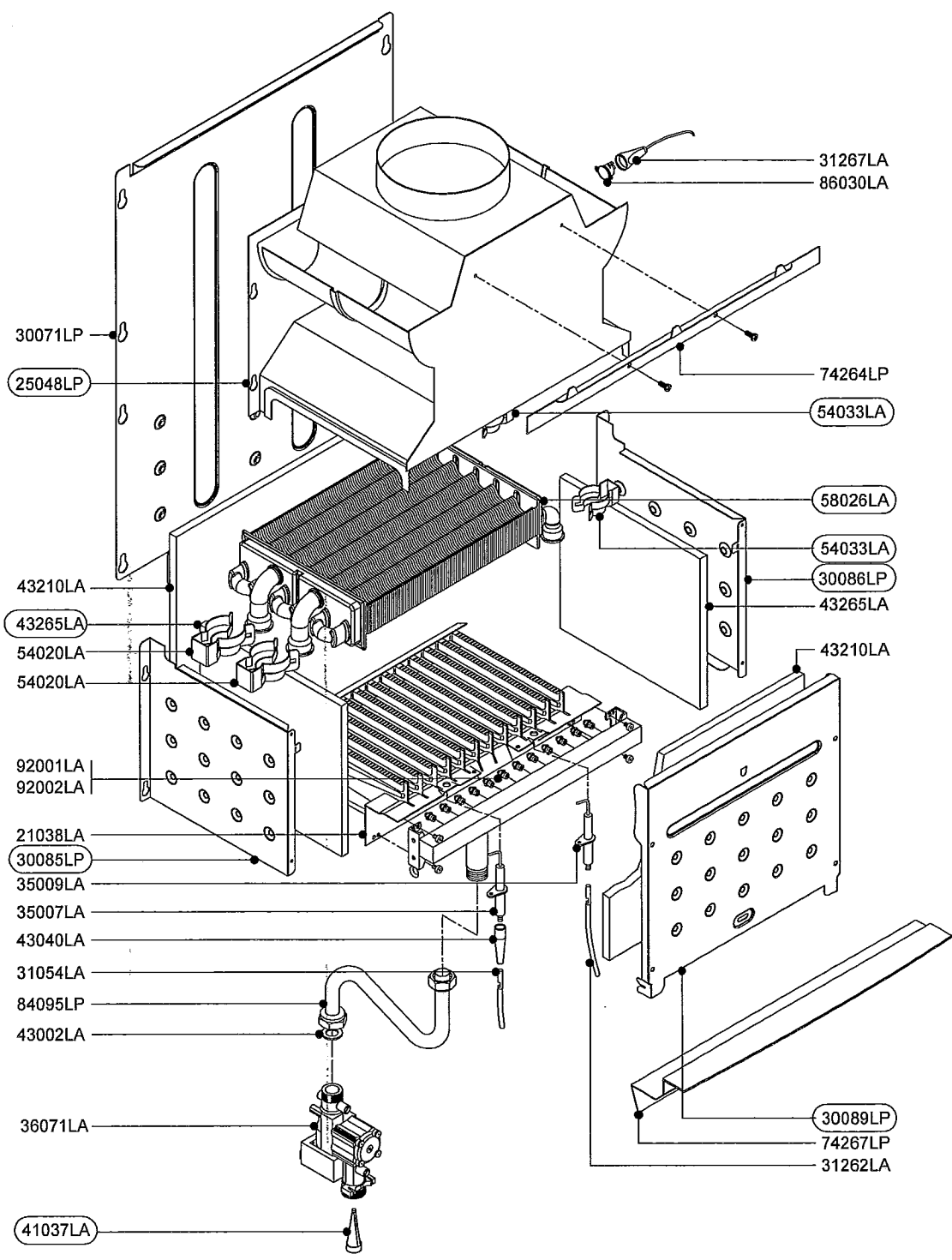


Pos.	Code	Description:	U.M.	Qt.
		Description: Wall hung boiler - spare parts HYDRAULIC SYSTEM		
		Object / model: mod. RBC 24 open combustion chamber - electronic ignition		
			A991A311D101	methane
			A991B311D101	L.P.G.
				heavy oil
			B0506_AE1	

Date: 06.11.2006
 Scale: ----
 Department: **tecnico**
 Designed by:
 Controlled by:
 Approved by:

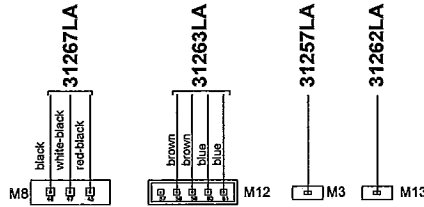
Code no.:
 Sheet no.:

ALL DESCRIPTIONS AND ILLUSTRATIONS CONTAINED IN THIS LEAFLET HAVE BEEN CAREFULLY PREPARED BUT WE RESERVE THE RIGHT TO MAKE CHANGES AND IMPROVEMENTS IN OUR PRODUCTS WHICH MAY AFFECT THE ACCURACY OF THE INFORMATION CONTAINED IN THIS LEAFLET. E + IE
 ALL RIGHTS RESERVED. NO PART OF THIS DOCUMENT MAY BE REPRODUCED, STORED IN RETRIEVAL SYSTEMS OR TRANSMITTED IN ANY FORM OR BY ANY MEANS, WHETHER ELECTRONIC, MECHANICAL, PHOTOCOPIING, RECORDING OR OTHERWISE, WITHOUT THE WRITTEN PERMISSION OF THE MANUFACTURER.

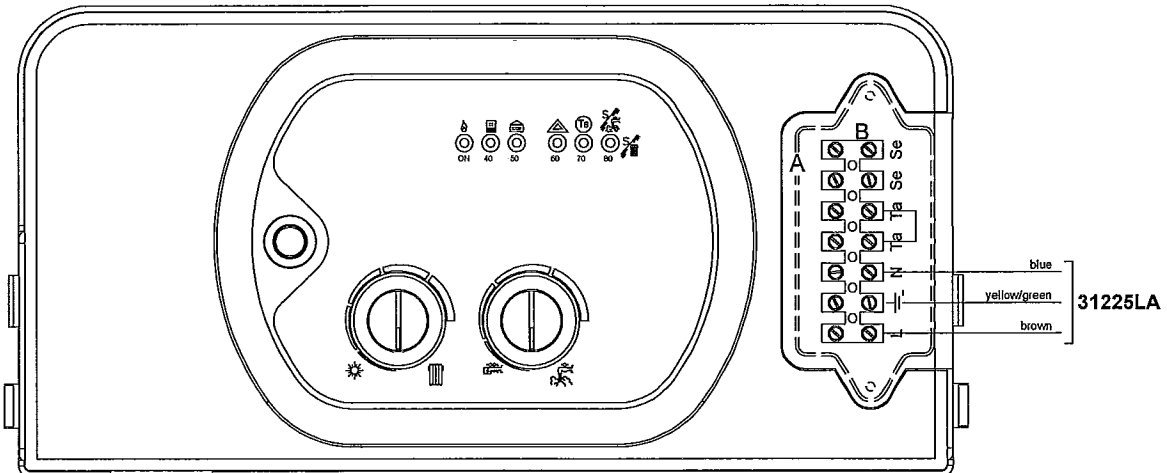
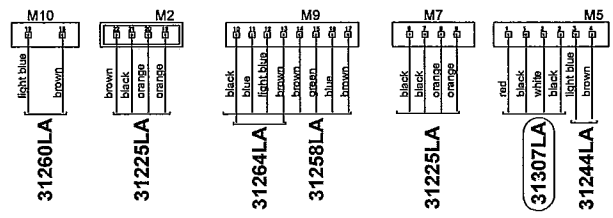
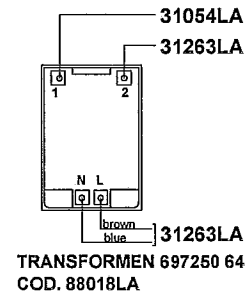
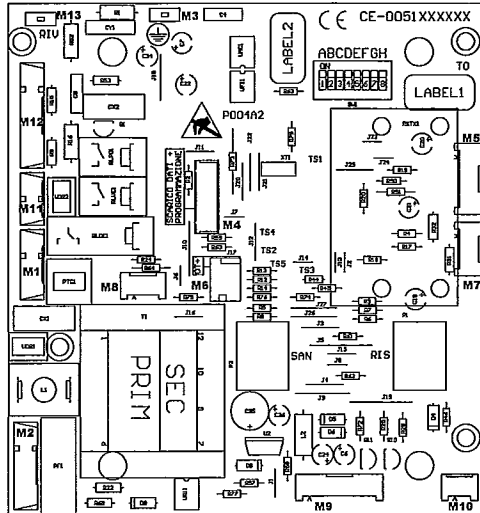


Pos.	Code	Description:		U.M.	Qt.	
		 RADIANT BRUCIATORI S.p.A.	Description: Wall hung boiler - spare parts THERMAL SYSTEM		Date: 06.11.2006	A991A311D101 methane
			Object / model: mod. RBC 24 <i>open combustion chamber - electronic ignition</i>		Scale: ---	A991B311D101 L.P.G.
				Department: tecnico		
				Designed by:		heavy oil
				Controlled by:		
				Approved by:		
				Code no.:		
				Sheet no.:	B0507_AE1	
<small>ALL DESCRIPTIONS AND ILLUSTRATIONS CONTAINED IN THIS LEAFLET HAVE BEEN CAREFULLY PREPARED BUT WE RESERVE THE RIGHT TO MAKE CHANGES AND IMPROVEMENTS IN OUR PRODUCTS WHICH MAY AFFECT THE ACCURACY OF THE INFORMATION CONTAINED IN THIS LEAFLET. E + OE ALL RIGHTS RESERVED. NO PART OF THIS DOCUMENT MAY BE REPRODUCED, SAVED IN STORAGE SYSTEMS OR TRANSMITTED IN ANY FORM OR BY ANY MEANS, WHETHER ELECTRONIC, MECHANICAL, PHOTOCOPIING, RECORDING OR OTHERWISE, WITHOUT THE WRITTEN PERMISSION IN WRITING.</small>						

Rev.	Description	Date
------	-------------	------



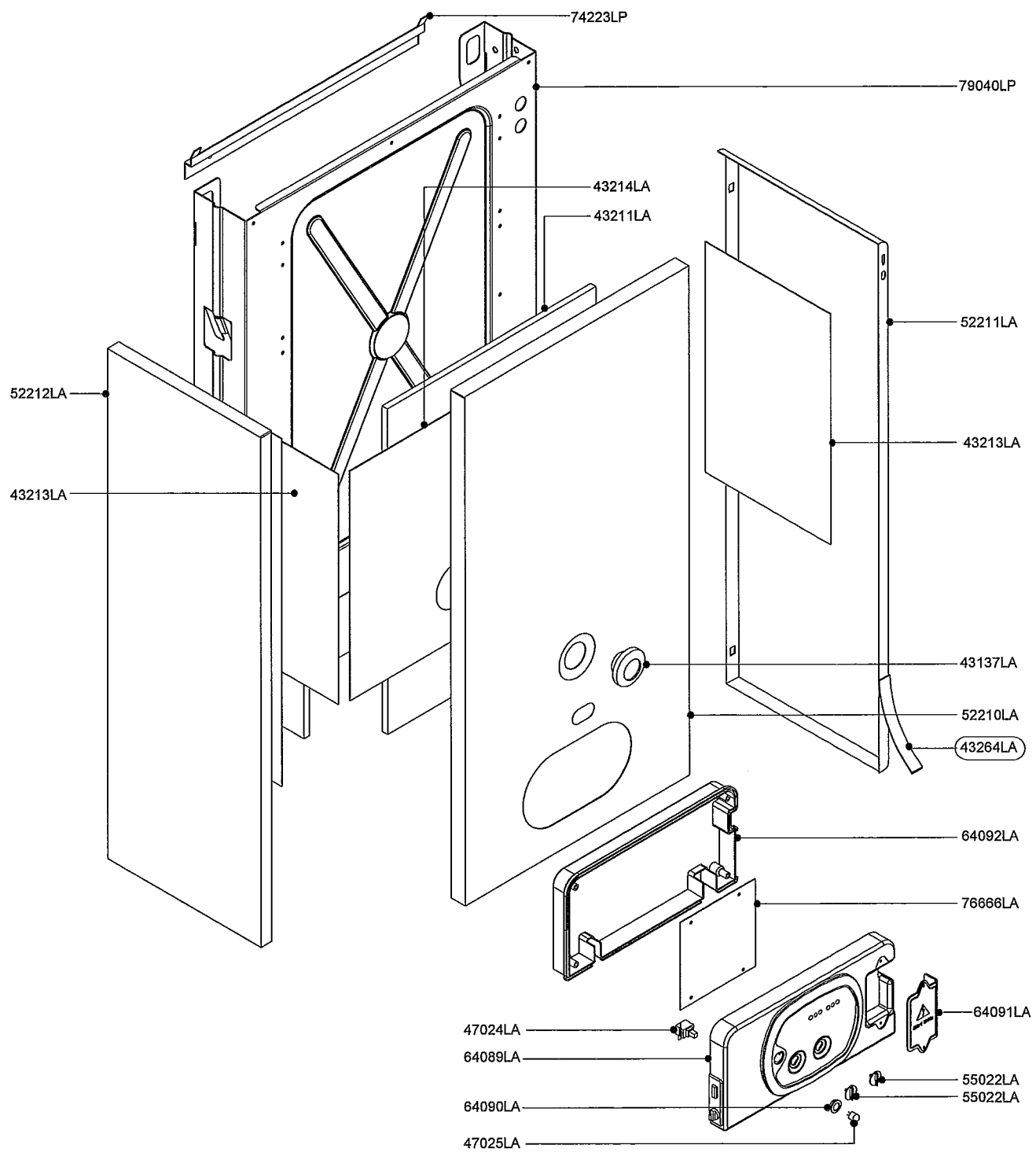
PRINTED CIRCUIT BOARD SM30001 (COD. 76666LA)



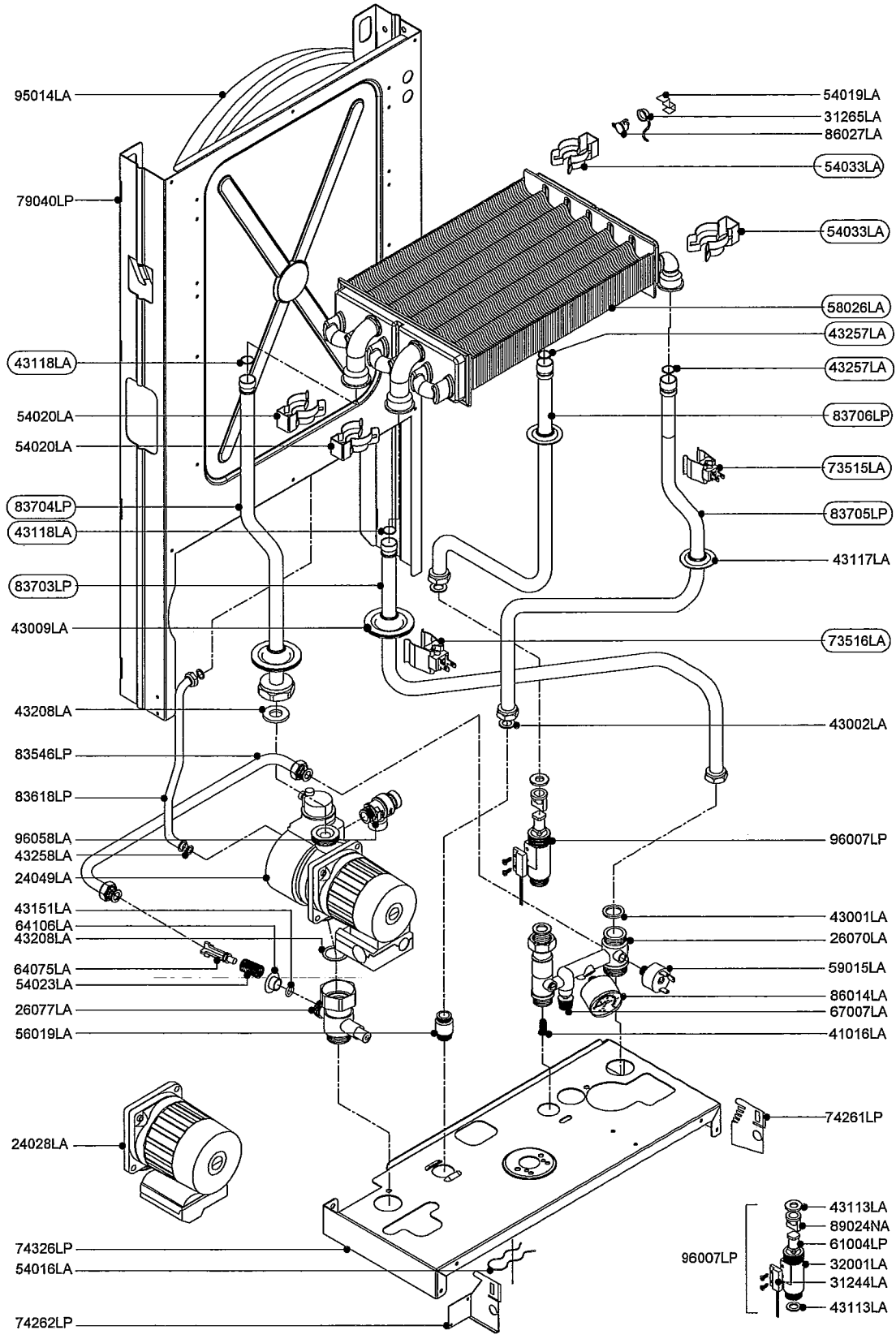
 RADIANT BRUCIATORI s.p.a.	Pos.	Code	Description:	U.M.	Qt.	
			Description: Wall hung boiler - spare parts ELECTRIC SYSTEM	Date: 06.11.2006	A991A311D101	methane
			Object / model: mod. RBC 24 open combustion chamber - electronic ignition	Scale: ---	A991B311D101	LP.G.
				Department: tecnico		
				Designed by:		heavy oil
			Controlled by:			
			Approved by:	Sheet no.:	B0508_AE1	

ALL DESCRIPTIONS AND ILLUSTRATIONS CONTAINED IN THIS LEAFLET HAVE BEEN CAREFULLY PREPARED BUT WE RESERVE THE RIGHT TO MAKE CHANGES AND IMPROVEMENTS IN OUR PRODUCTS WHICH MAY AFFECT THE ACCURACY OF THE INFORMATION CONTAINED IN THIS LEAFLET. E + OE ALL RIGHTS RESERVED. NO PART OF THIS DOCUMENT MAY BE REPRODUCED, STORED IN RETRIEVAL SYSTEMS OR TRANSMITTED IN ANY FORM OR BY ANY MEANS, WHETHER ELECTRONIC, MECHANICAL, PHOTOCOPIING, RECORDING OR OTHERWISE, WITHOUT THE MANUFACTURER'S PRIOR AUTHORIZATION IN WRITING.

Rev.	Description	Date
------	-------------	------

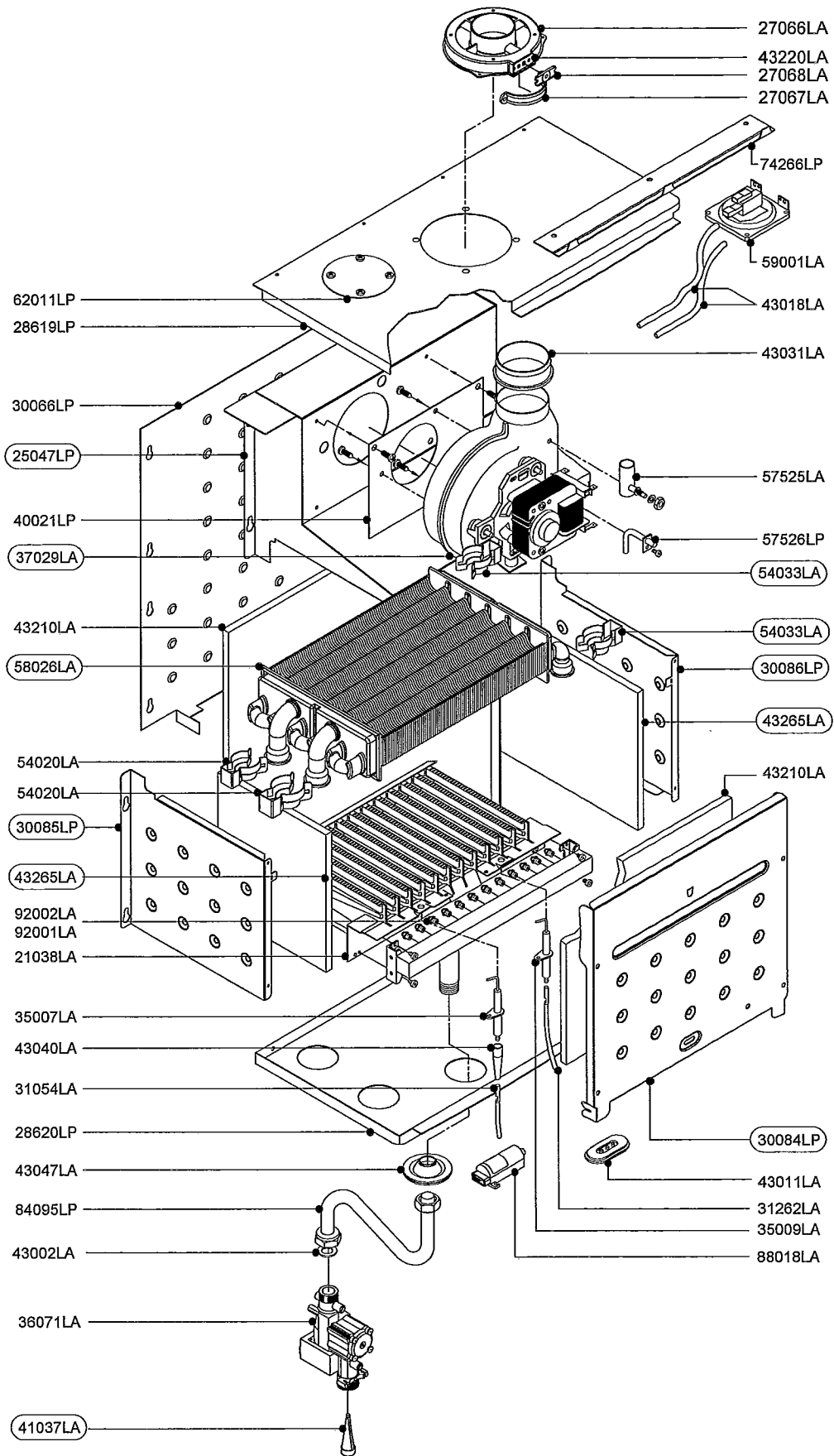


Pos.	Code	Description:	U.M.	Qt.
		Description: Wall hung boiler - spare parts FRAME and CASING COMPONENTS		
		Object / model: mod. RBS 24 <i>room sealed - electronic ignition</i>		
		Date: 06.06.2006	A991A312D101	methane
		Scale: ---	A991B312D101	L.P.G.
		Department: tecnico		
		Designed by:		heavy oil
		Controlled by:		
		Approved by:	Sheet no.:	B0497_AE1
<small>ALL DESCRIPTIONS AND ILLUSTRATIONS CONTAINED IN THIS LEAFLET HAVE BEEN CAREFULLY PREPARED BUT WE RESERVE THE RIGHT TO MAKE CHANGES AND IMPROVEMENTS IN OUR PRODUCTS WHICH MAY AFFECT THE ACCURACY OF THE INFORMATION CONTAINED IN THIS LEAFLET. © 4 OF ALL RIGHTS RESERVED. NO PART OF THIS DOCUMENT MAY BE REPRODUCED, STORED IN RETRIEVAL SYSTEMS OR TRANSMITTED IN ANY FORM OR BY ANY MEANS, WHETHER ELECTRONIC, MECHANICAL, PHOTOCOPIING, RECORDING OR OTHERWISE, WITHOUT THE WRITTEN PERMISSION OF RADIANT BRUCIATORI S.p.A.</small>				



Pos.	Code	Description:		U.M.	Qt.
		WALL HUNG BOILER - SPARE PARTS HYDRAULIC SYSTEM	Date: 06.06.2006	A991A312D101	methane
			Scale: ---	A991B312D101	L.P.G.
		Object / model:	Department: tecnico		
		mod. RBS 24	Designed by:		
		room sealed - electronic ignition	Controlled by:		
			Approved by:		
			Sheet no.:	B0498_AE1	
ALL DESCRIPTIONS AND ILLUSTRATIONS CONTAINED IN THIS LEAFLET HAVE BEEN CAREFULLY PREPARED BUT WE RESERVE THE RIGHT TO MAKE CHANGES AND IMPROVEMENTS IN OUR PRODUCTS WHICH MAY AFFECT THE ACCURACY OF THE INFORMATION CONTAINED IN THIS LEAFLET. E + OE ALL RIGHTS RESERVED. NO PART OF THIS DOCUMENT MAY BE REPRODUCED, SAID IN STORAGE SYSTEMS OR TRANSMITTED IN ANY FORM OR BY ANY MEANS, WHETHER ELECTRONIC, MECHANICAL, PHOTOCOPIING, RECORDING OR OTHERWISE, WITHOUT THE MANUFACTURER'S PRIOR AUTHORIZATION IN WRITING.					

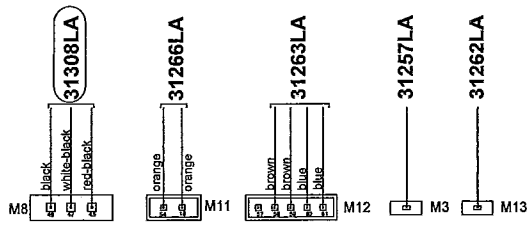
Rev.	Description	Date
------	-------------	------



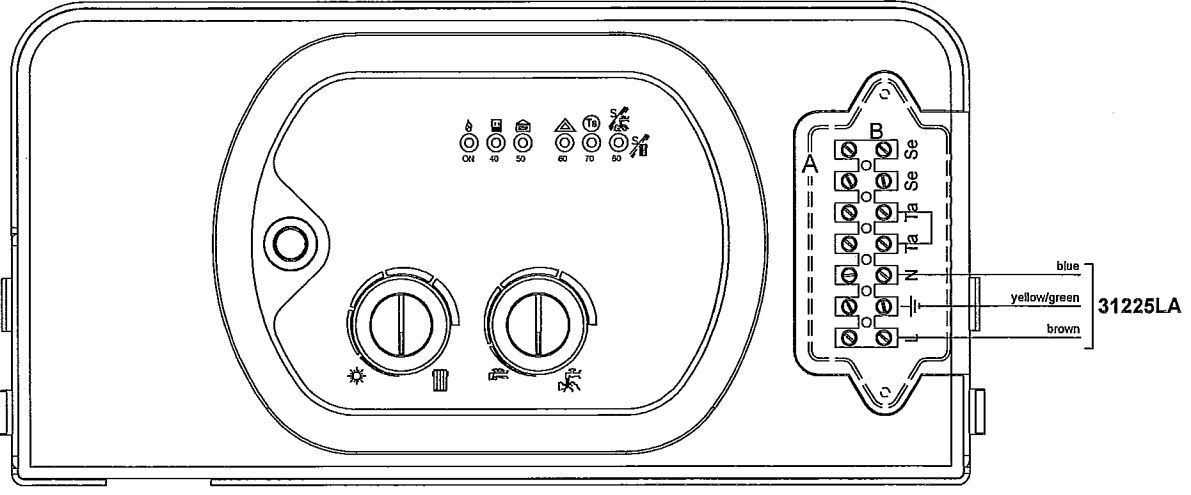
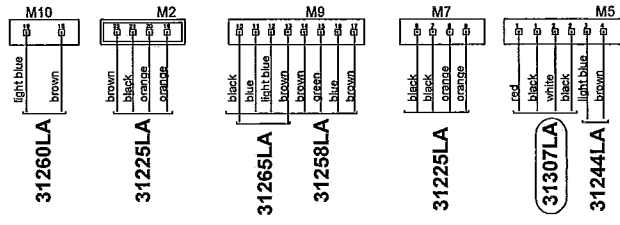
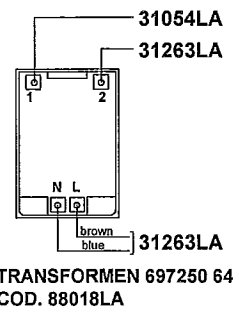
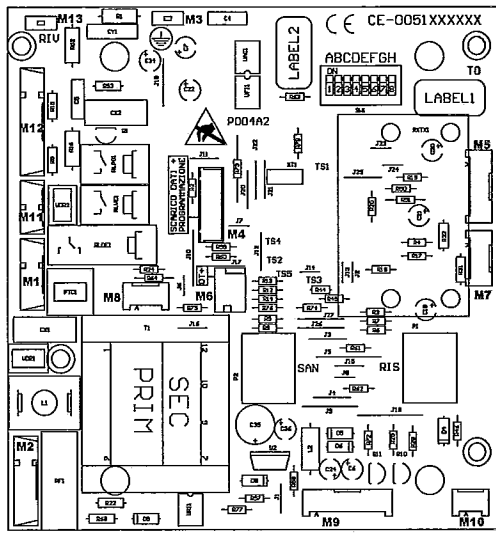
Pos.	Code	Description:	U.M.	Qt.
		Description: Wall hung boiler - spare parts THERMAL SYSTEM		
		Object / model: mod. RBS 24 <i>room sealed - electronic ignition</i>		
		Date: 06.06.2006	A991A312D101	methane
		Scale: ---	A991B312D101	L.P.G.
		Department: tecnico		
		Designed by:		heavy oil
		Controlled by:		
		Approved by:	Sheet no.:	B0499_AE1

ALL DESCRIPTIONS AND ILLUSTRATIONS CONTAINED IN THIS LEAFLET HAVE BEEN CAREFULLY PREPARED BUT WE RESERVE THE RIGHT TO MAKE CHANGES AND IMPROVEMENTS IN OUR PRODUCTS WHICH MAY AFFECT THE ACCURACY OF THE INFORMATION CONTAINED IN THIS LEAFLET. E + OE (M) RIGHTS RESERVED. NO PART OF THIS DOCUMENT MAY BE REPRODUCED, STORED IN RETRIEVAL SYSTEMS OR TRANSMITTED IN ANY FORM OR BY ANY MEANS, WHETHER ELECTRONIC, MECHANICAL, PHOTOCOPYING, RECORDING OR OTHERWISE, WITHOUT THE WRITTEN PERMISSION OF RADIANT BRUCIATORI S.P.A.

Rev.	Description	Date
------	-------------	------



PRINTED CIRCUIT BOARD SM30001 (COD. 76666LA)



Pos.	Code	Description:	U.M.	Qt.
		Description: Wall hung boiler - spare parts ELECTRIC SYSTEM		
		Object / model: mod. RBS 24 <i>room sealed - electronic ignition</i>		
			A991A312D101	methane
			A991B312D101	L.P.G.
				heavy oil
			B0500_AE1	

Date:	06.06.2006
Scale:	---
Department:	tecnico
Designed by:	
Controlled by:	
Approved by:	

ALL DESCRIPTIONS AND ILLUSTRATIONS CONTAINED IN THIS LEAFLET HAVE BEEN CAREFULLY PREPARED BUT WE RESERVE THE RIGHT TO MAKE CHANGES AND IMPROVEMENTS IN OUR PRODUCTS WHICH MAY AFFECT THE ACCURACY OF THE INFORMATION CONTAINED IN THIS LEAFLET. E + OE ALL RIGHTS RESERVED. NO PART OF THIS DOCUMENT MAY BE REPRODUCED, STORED IN RETRIEVAL SYSTEMS OR TRANSMITTED IN ANY FORM OR BY ANY MEANS, WITHOUT THE WRITTEN PERMISSION OF THE MANUFACTURER.