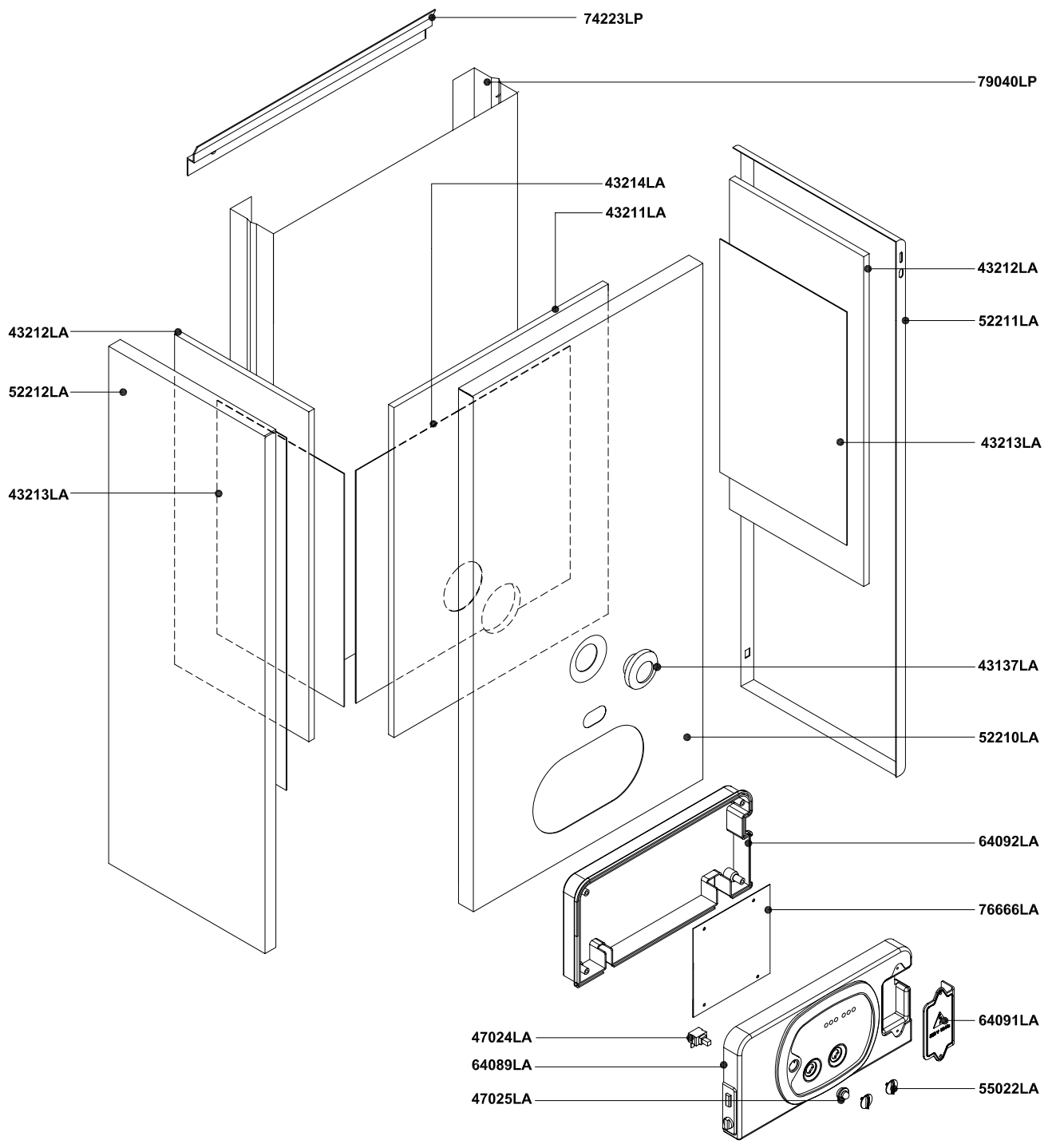



Rev.	Description	Date
------	-------------	------

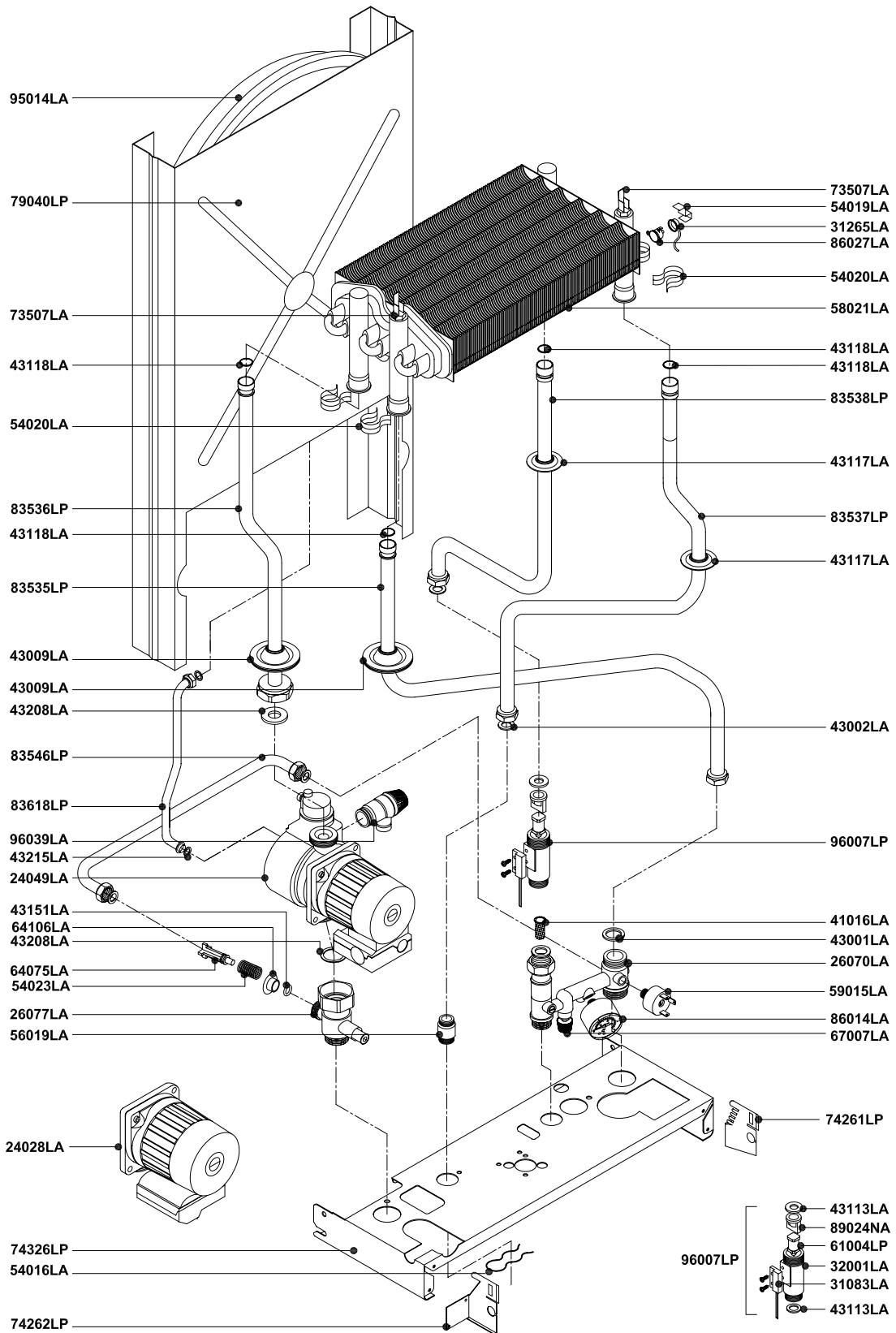


 RADIANT BRUCIATORI S.p.A.	Pos.	Code	Description:	Date: 06.05.2004	U.M.	Qt.
			Description: Wall hung boiler - spare parts FRAME and CASING COMPONENTS Object / model: mod. RBS 24 <i>room sealed - electronic ignition</i>	Scale: — Department: tecnico Designed by: Controlled by: Approved by:	A991A312B101 A991B312B101	methane L.P.G. heavy oil
				Code no.:	Sheet no.: B0331_AE1	
<small>ALL DESCRIPTIONS AND ILLUSTRATIONS CONTAINED IN THIS LEAFLET HAVE BEEN CAREFULLY PREPARED BUT WE RESERVE THE RIGHT TO MAKE CHANGES AND IMPROVEMENTS IN OUR PRODUCTS WHICH MAY AFFECT THE ACCURACY OF THE INFORMATION CONTAINED IN THIS LEAFLET, E + OE ALL RIGHTS RESERVED. NO PART OF THIS DOCUMENT MAY BE REPRODUCED, SAVED IN STORAGE SYSTEMS OR TRANSMITTED IN ANY FORM OR BY ANY MEANS, WHETHER ELECTRONIC, MECHANICAL, PHOTOCOPIING, RECORDING OR OTHERS, WITHOUT THE MANUFACTURERS PRIOR AUTHORISATION IN WRITING.</small>						

Rev.

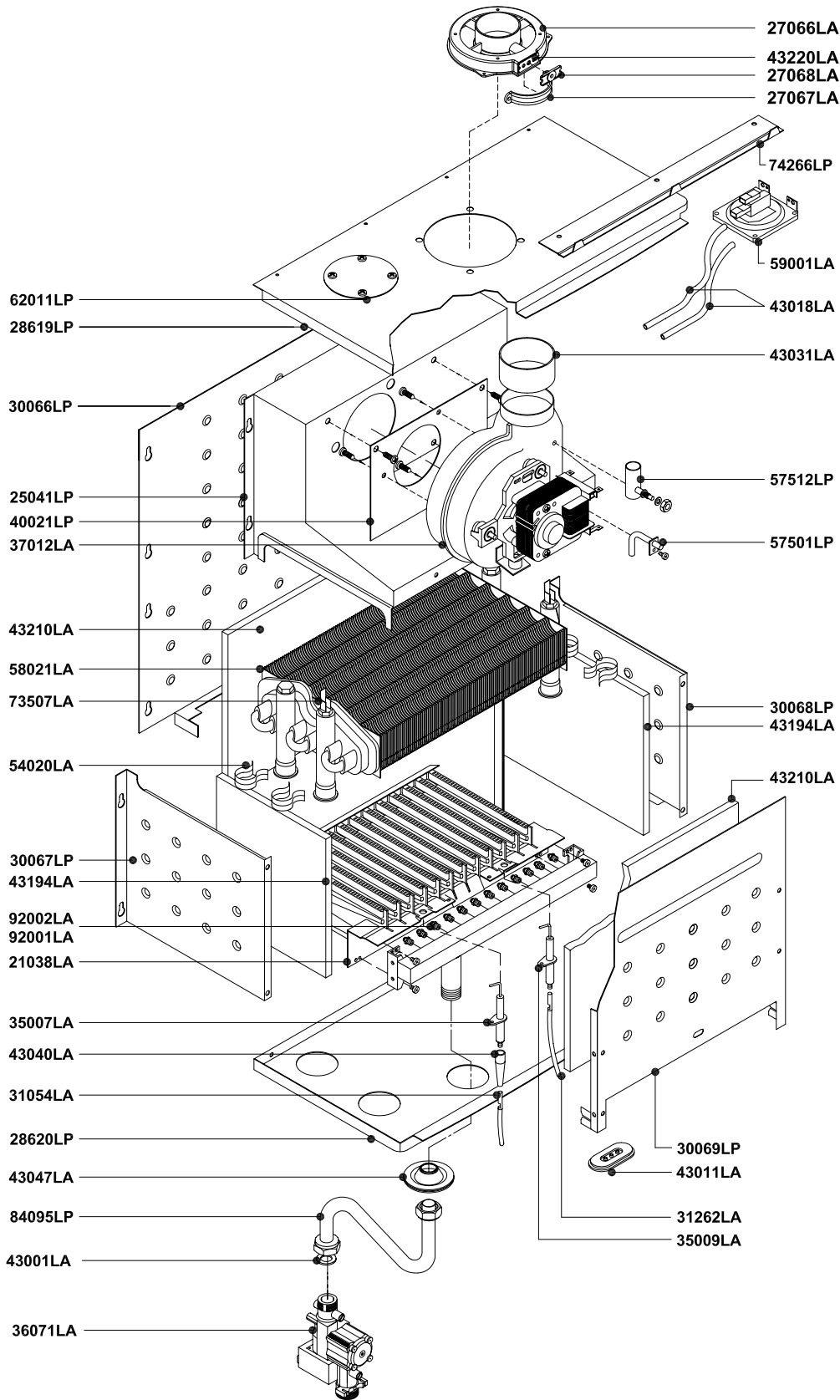
Description

Date



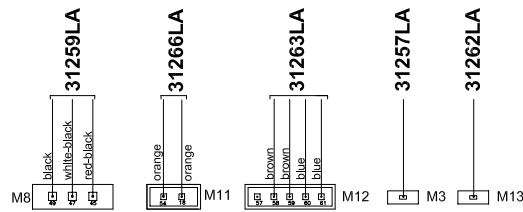
Pos.	Code	Description:	U.M.	Qt.
		Description:		
		Wall hung boiler - spare parts		
		HYDRAULIC SYSTEM		
		Object / model:		
		mod. RBS 24		
		<i>room sealed - electronic ignition</i>		
		Date: 06.05.2004	A991A312B101	methane
		Scale: —	A991B312B101	L.P.G.
		Department: tecnico		
		Designed by:		heavy oil
		Controlled by:		
		Approved by:	Sheet no.:	B0332_AE1

ALL DESCRIPTIONS AND ILLUSTRATIONS CONTAINED IN THIS LEAFLET HAVE BEEN CAREFULLY PREPARED BUT WE RESERVE THE RIGHT TO MAKE CHANGES AND IMPROVEMENTS IN OUR PRODUCTS WHICH MAY AFFECT THE ACCURACY OF THE INFORMATION CONTAINED IN THIS LEAFLET, E + OE ALL RIGHTS RESERVED. NO PART OF THIS DOCUMENT MAY BE REPRODUCED, SAID IN STORAGE SYSTEMS OR TRANSMITTED IN ANY FORM OR BY ANY MEANS, WHETHER ELECTRONIC, MECHANICAL, PHOTOCOPIING, RECORDING OR OTHERS, WITHOUT THE MANUFACTURERS PRIOR AUTHORISATION IN WRITING.

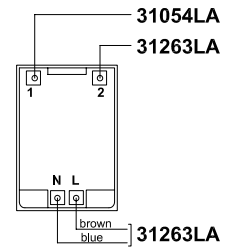
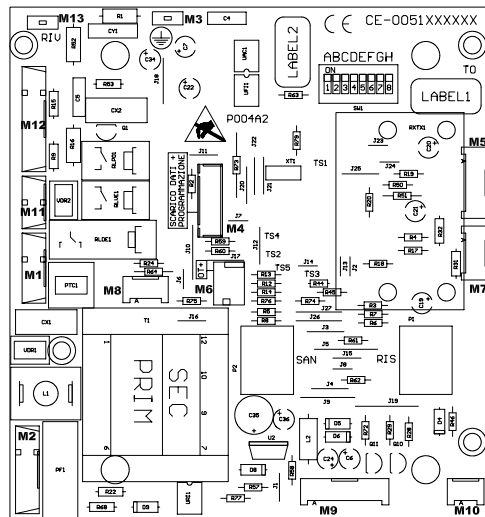


Pos.	Code	Description:	U.M.	Qt.
		Description: Wall hung boiler - spare parts THERMAL SYSTEM		
		Object / model: mod. RBS 24 <i>room sealed - electronic ignition</i>		
		Date: 06.05.2004	A991A312B101	methane
		Scale: —	A991B312B101	L.P.G.
		Department: tecnico		
		Designed by:		heavy oil
		Controlled by:		
		Approved by:	Sheet no.:	B0333_AE1
<small>ALL DESCRIPTIONS AND ILLUSTRATIONS CONTAINED IN THIS LEAFLET HAVE BEEN CAREFULLY PREPARED BUT WE RESERVE THE RIGHT TO MAKE CHANGES AND IMPROVEMENTS IN OUR PRODUCTS WHICH MAY AFFECT THE ACCURACY OF THE INFORMATION CONTAINED IN THIS LEAFLET, E + OE ALL RIGHTS RESERVED. NO PART OF THIS DOCUMENT MAY BE REPRODUCED, SAVED IN STORAGE SYSTEMS OR TRANSMITTED IN ANY FORM OR BY ANY MEANS, WHETHER ELECTRONIC, MECHANICAL, PHOTOCOPIING, RECORDING OR OTHERS, WITHOUT THE MANUFACTURERS PRIOR AUTHORISATION IN WRITING.</small>				

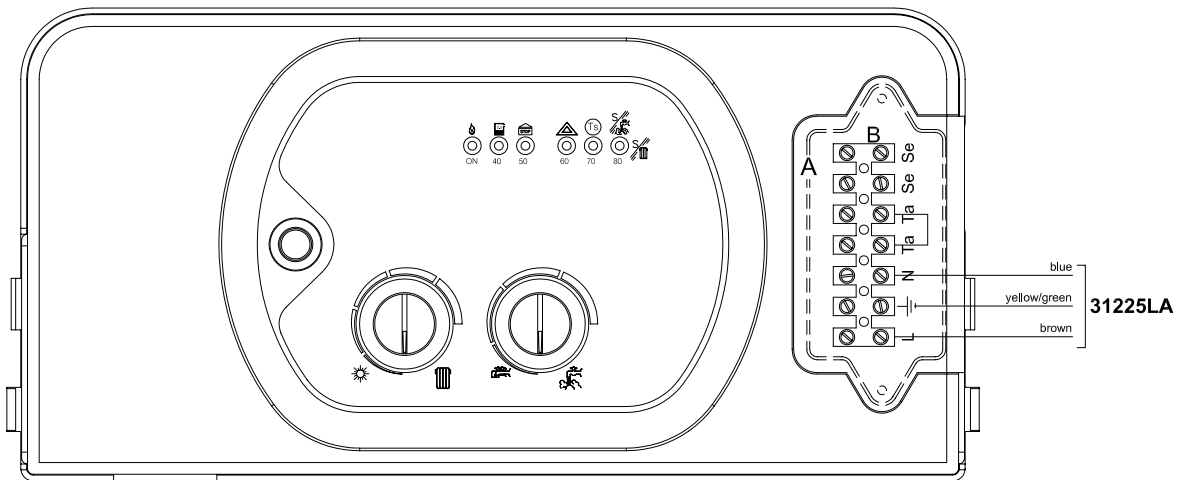
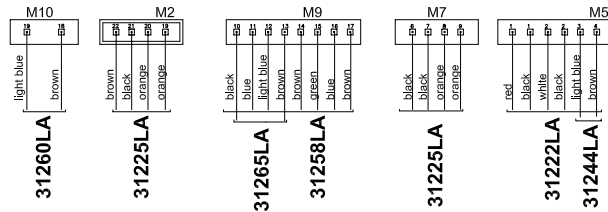




PRINTED CIRCUIT BOARD SM30001 (COD. 76666LA)



**TRANSFORMEN 697250 64
COD. 88018LA**



Pos.	Code	Description:	U.M.	Qt.
		Description: Wall hung boiler - spare parts ELECTRIC SYSTEM		
		Object / model: mod. RBS 24 room sealed - electronic ignition		
		Date: 06.09.2004	A991A312B101	methane
		Scale: —	A991B312B101	L.P.G.
		Department: tecnico		
		Designed by:		heavy oil
		Controlled by:		
		Approved by:	Sheet no.:	B0334_AE1

ALL DESCRIPTIONS AND ILLUSTRATIONS CONTAINED IN THIS LEAFLET HAVE BEEN CAREFULLY PREPARED BUT WE RESERVE THE RIGHT TO MAKE CHANGES AND IMPROVEMENTS IN OUR PRODUCTS WHICH MAY AFFECT THE ACCURACY OF THE INFORMATION CONTAINED IN THIS LEAFLET, E + OE ALL RIGHTS RESERVED. NO PART OF THIS DOCUMENT MAY BE REPRODUCED, SAID IN STORAGE SYSTEMS OR TRANSMITTED IN ANY FORM OR BY ANY MEANS, WHETHER ELECTRONIC, MECHANICAL, PHOTOCOPIING, RECORDING OR OTHERS, WITHOUT THE MANUFACTURER'S PRIOR AUTHORIZATION IN WRITING.