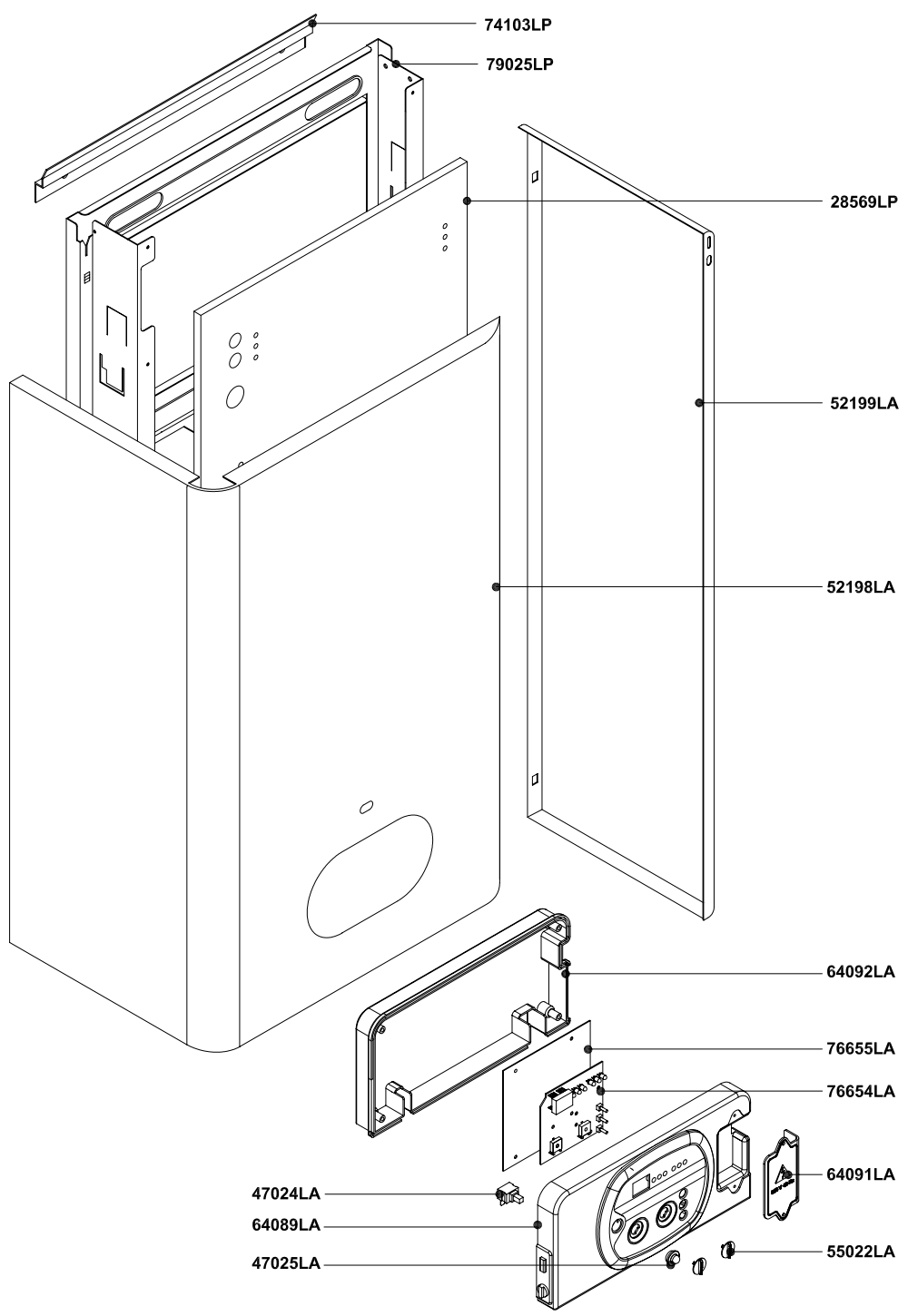


| | | |
|------|-------------|------|
| Rev. | Description | Date |
|------|-------------|------|



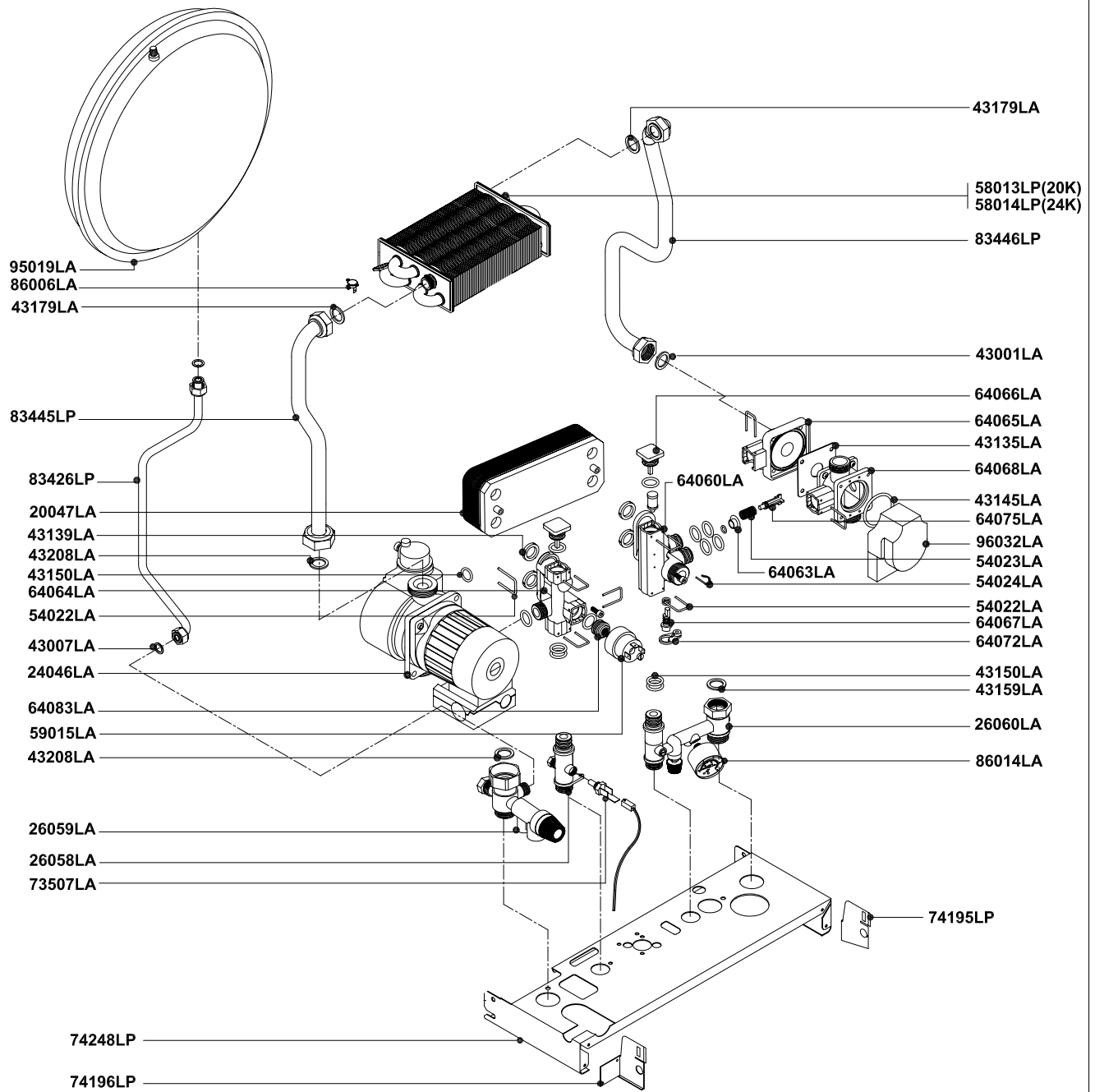
| Pos. | Code | Description: | | U.M. | Qt. |
|---|------|---|---------------------|--------------|------------------|
| | | Description: | Date: 08.01.2004 | A991A211B101 | methane |
| | | Wall hung boiler - Spare parts | Scale: — | A991B211B101 | L.P.G. |
| | | FRAME and CASING COMPONENTS | Department: tecnico | | |
| | | Object / model: | Designed by: | | heavy oil |
| | | mod. RCM 20 E | Controlled by: | | |
| | | Open combustion chamber - electronic ignition | Approved by: | Sheet no.: | B0279_AE1 |
| <small>ALL DESCRIPTIONS AND ILLUSTRATIONS CONTAINED IN THIS LEAFLET HAVE BEEN CAREFULLY PREPARED BUT WE RESERVE THE RIGHT TO MAKE CHANGES AND IMPROVEMENTS IN OUR PRODUCTS WHICH MAY AFFECT THE ACCURACY OF THE INFORMATION CONTAINED IN THIS LEAFLET, E + OE ALL RIGHTS RESERVED. NO PART OF THIS DOCUMENT MAY BE REPRODUCED, SAID IN STORAGE SYSTEMS OR TRANSMITTED IN ANY FORM OR BY ANY MEANS, WHETHER ELECTRONIC, MECHANICAL, PHOTOCOPIING, RECORDING OR OTHERS, WITHOUT THE MANUFACTURERS PRIOR AUTHORISATION IN WRITING.</small> | | | | | |



Rev.

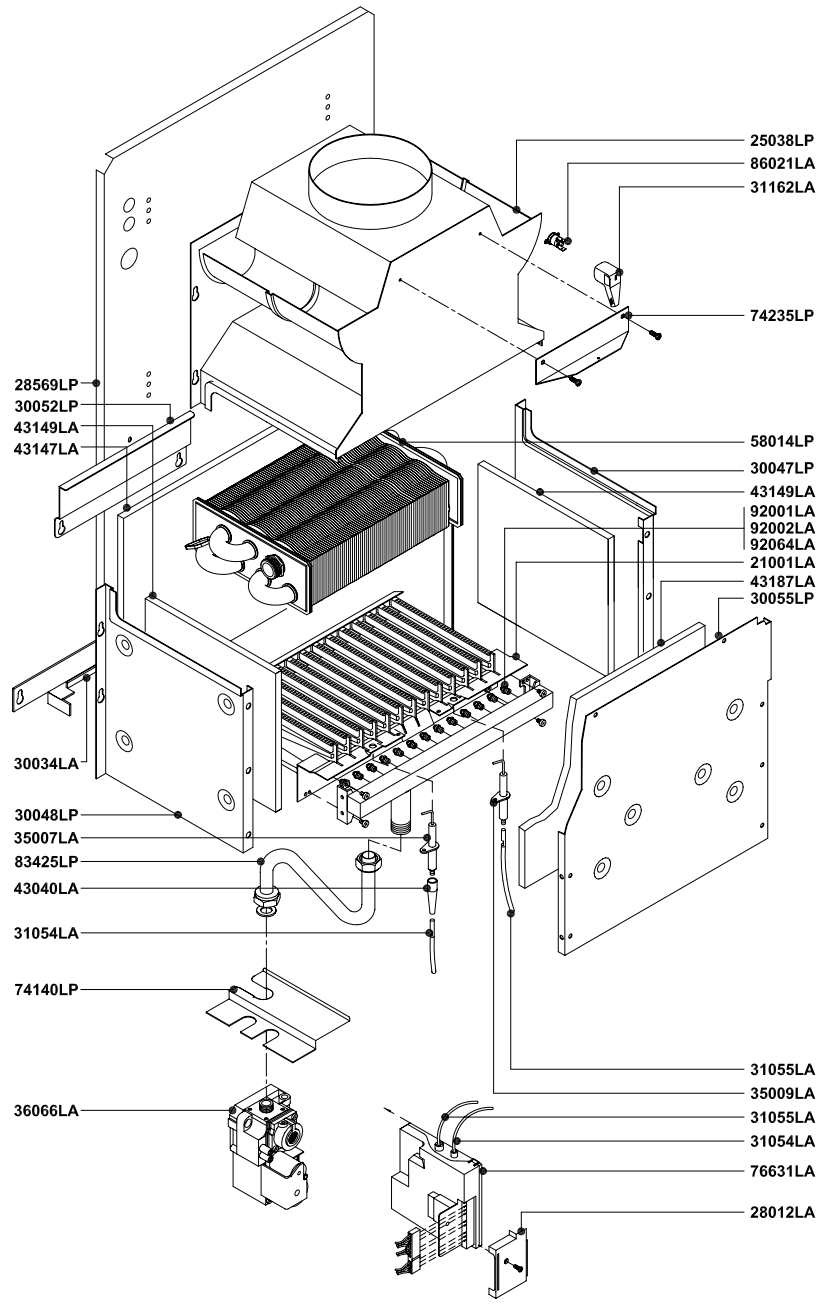
Description

Date



| Pos. | Code | Description: | U.M. | Qt. |
|------|------|---|--------------|------------------|
| | | Description: | | |
| | | Wall hung boiler - Spare parts | | |
| | | HYDRAULIC SYSTEM | | |
| | | Object / model: | | |
| | | mod. RCM 20 E | | |
| | | Open combustion chamber - electronic ignition | | |
| | | Date: 08.01.2004 | A991A211B101 | methane |
| | | Scale: — | A991B211B101 | L.P.G. |
| | | Department: tecnico | | |
| | | Designed by: | | heavy oil |
| | | Controlled by: | | |
| | | Approved by: | Sheet no.: | B0280_AE1 |

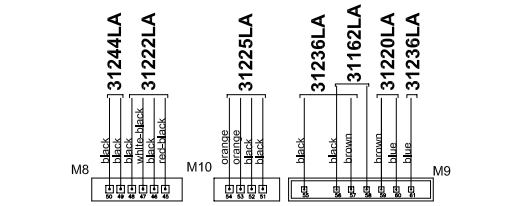
ALL DESCRIPTIONS AND ILLUSTRATIONS CONTAINED IN THIS LEAFLET HAVE BEEN CAREFULLY PREPARED BUT WE RESERVE THE RIGHT TO MAKE CHANGES AND IMPROVEMENTS IN OUR PRODUCTS WHICH MAY AFFECT THE ACCURACY OF THE INFORMATION CONTAINED IN THIS LEAFLET. E + OE ALL RIGHTS RESERVED. NO PART OF THIS DOCUMENT MAY BE REPRODUCED, SAVED IN STORAGE SYSTEMS OR TRANSMITTED IN ANY FORM OR BY ANY MEANS, WHETHER ELECTRONIC, MECHANICAL, PHOTOCOPIING, RECORDING OR OTHERS, WITHOUT THE MANUFACTURER'S PRIOR AUTHORISATION IN WRITING.



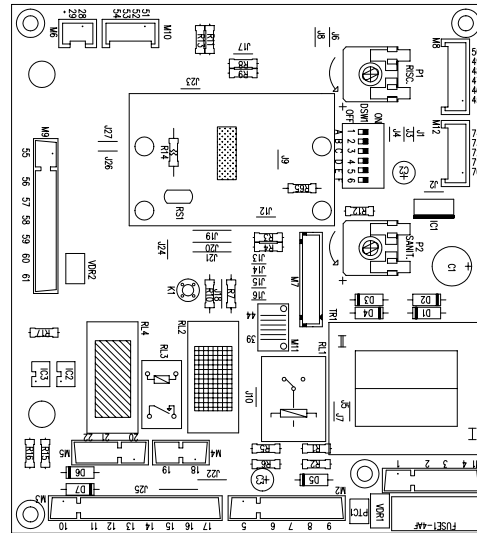
| Pos. | Code | Description: | | U.M. | Qt. |
|---|------|---|---------------------|-----------------------------|-----------|
| | | Description: | Date: 08.01.2004 | A991A211B101 | methane |
| | | Wall hung boiler - Spare parts | Scale: — | A991B211B101 | L.P.G. |
| | | THERMAL SYSTEM (OPEN CHAMBER) | Department: tecnico | | |
| | | Object / model: | Designed by: | | heavy oil |
| | | mod. RCM 20 E | Controlled by: | Sheet no.: B0281_AE1 | |
| | | Open combustion chamber - electronic ignition | Approved by: | | |
| <small>ALL DESCRIPTIONS AND ILLUSTRATIONS CONTAINED IN THIS LEAFLET HAVE BEEN CAREFULLY PREPARED BUT WE RESERVE THE RIGHT TO MAKE CHANGES AND IMPROVEMENTS IN OUR PRODUCTS WHICH MAY AFFECT THE ACCURACY OF THE INFORMATION CONTAINED IN THIS LEAFLET, E + OE ALL RIGHTS RESERVED. NO PART OF THIS DOCUMENT MAY BE REPRODUCED, SAVED IN STORAGE SYSTEMS OR TRANSMITTED IN ANY FORM OR BY ANY MEANS, WHETHER ELECTRONIC, MECHANICAL, PHOTOCOPIING, RECORDING OR OTHERS, WITHOUT THE MANUFACTURER'S PRIOR AUTHORIZATION IN WRITING.</small> | | | | | |



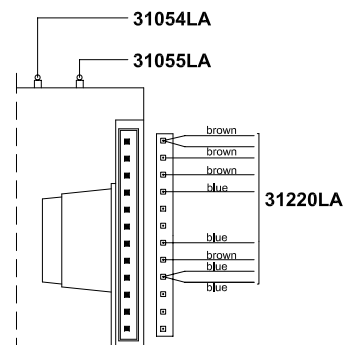
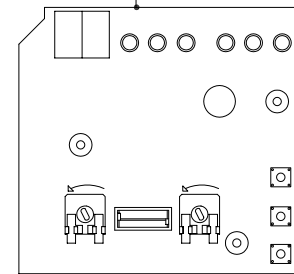
RADIANT BRUCIATORI S.p.A.



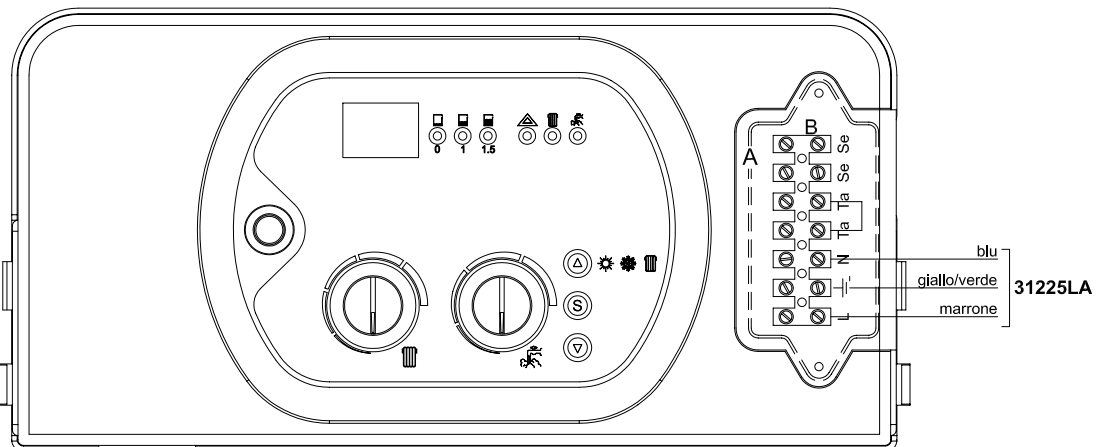
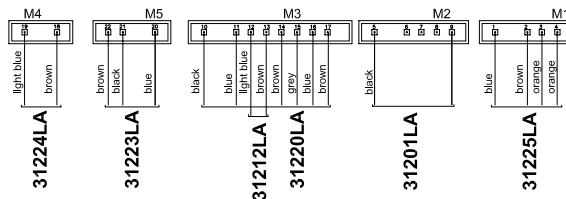
MAIN PRINTED CIRC. BOARD CVI-M SM 20015 COD. 76655LA



DISPLAY DIGITAL BOARD 2000 SKO6206 76654LA



ELECTRONIC IGNITION BOARD S4565QM1012 code 76631LA



| Pos. | Code | Description: | U.M. | Qt. |
|------|------|---|--------------|------------------|
| | | Description: Wall hung boiler - Spare parts ELECTRIC SYSTEM (OPEN CHAMBER - ELECTR. IGNITION) | | |
| | | Object / model: mod. RCM 20 E Open combustion chamber - electronic ignition | | |
| | | Date: 08.01.2004 | A991A211B101 | methane |
| | | Scale: — | A991B211B101 | L.P.G. |
| | | Department: tecnico | | |
| | | Designed by: | | heavy oil |
| | | Controlled by: | | |
| | | Approved by: | Sheet no.: | B0282_AE1 |

ALL DESCRIPTIONS AND ILLUSTRATIONS CONTAINED IN THIS LEAFLET HAVE BEEN CAREFULLY PREPARED BUT WE RESERVE THE RIGHT TO MAKE CHANGES AND IMPROVEMENTS IN OUR PRODUCTS WHICH MAY AFFECT THE ACCURACY OF THE INFORMATION CONTAINED IN THIS LEAFLET, E + OE ALL RIGHTS RESERVED. NO PART OF THIS DOCUMENT MAY BE REPRODUCED, STORED IN STORAGE SYSTEMS OR TRANSMITTED IN ANY FORM OR BY ANY MEANS, WHETHER ELECTRONIC, MECHANICAL, PHOTOCOPIING, RECORDING OR OTHERWISE, WITHOUT THE MANUFACTURER'S PRIOR AUTHORIZATION IN WRITING.