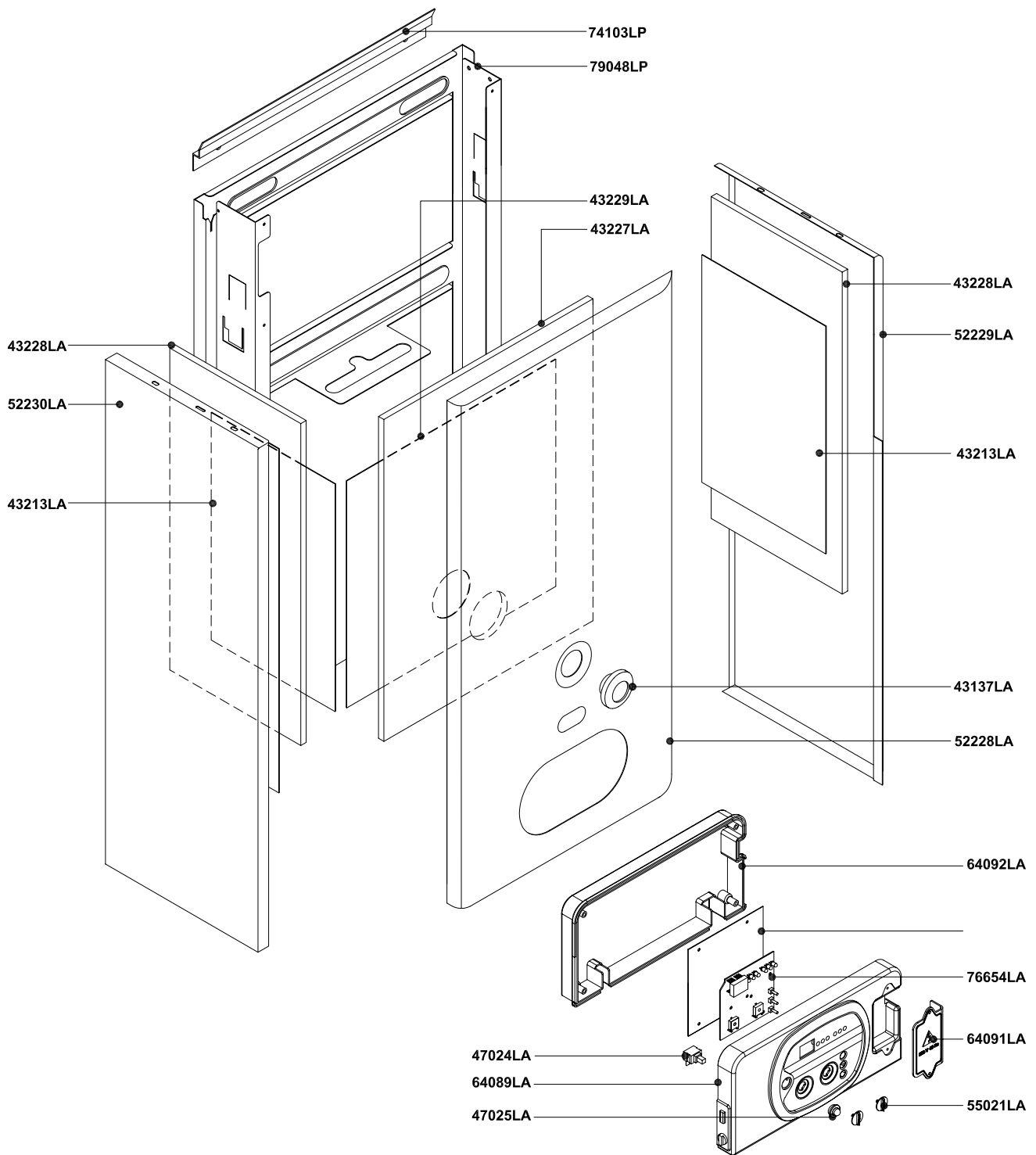

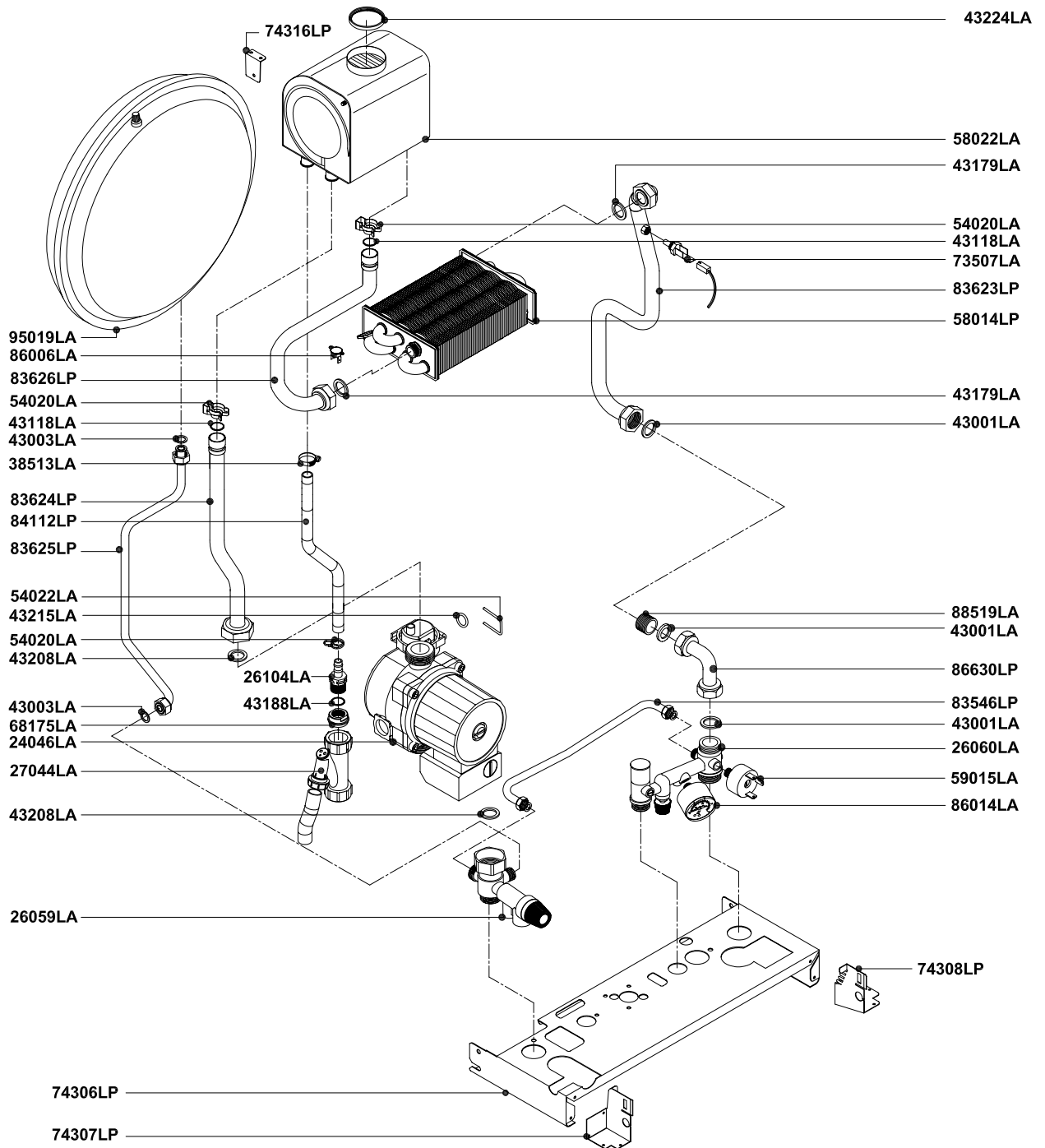


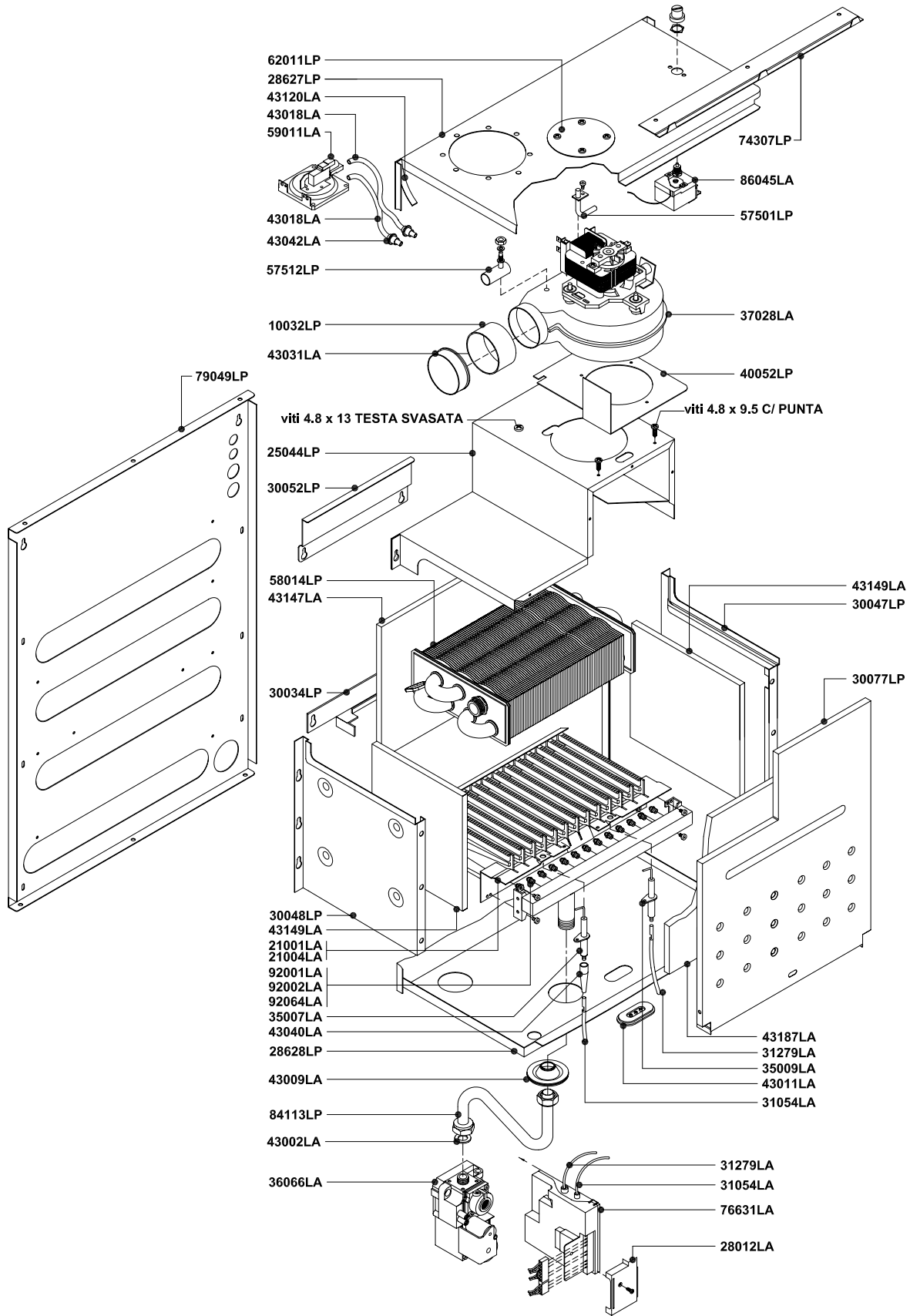
Rev.	Description	Date
------	-------------	------



Pos.	Code	Description:	U.M.	Qt.
		Date: 10.01.2005	A991A132A301	methane
		Scale: —	A991B132A301	L.P.G.
		Department: tecnico		
		Designed by:		heavy oil
		Controlled by:		
		Approved by:	Sheet no.:	B0435_AE1
 RADIANT RADIANT BRUCIATORI S.p.A.				
Description: Wall hung Condensing boiler - Spare parts FRAME and CASING COMPONENTS				
Object / model: mod. RH 28 Only heating				
<small>ALL DESCRIPTIONS AND ILLUSTRATIONS CONTAINED IN THIS LEAFLET HAVE BEEN CAREFULLY PREPARED BUT WE RESERVE THE RIGHT TO MAKE CHANGES AND IMPROVEMENTS IN OUR PRODUCTS WHICH MAY AFFECT THE ACCURACY OF THE INFORMATION CONTAINED IN THIS LEAFLET, E + OE ALL RIGHTS RESERVED. NO PART OF THIS DOCUMENT MAY BE REPRODUCED, SAID IN STORAGE SYSTEMS OR TRANSMITTED IN ANY FORM OR BY ANY MEANS, WHETHER ELECTRONIC, MECHANICAL, PHOTOCOPIING, RECORDING OR OTHERS, WITHOUT THE MANUFACTURERS PRIOR AUTHORIZATION IN WRITING.</small>				



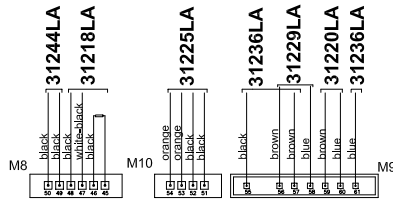
Pos.	Code	Description:	U.M.	Qt.
		Description: Wall hung Condensing boiler - Spare parts HYDRAULIC SYSTEM		
		Object / model: mod. RH 28 Only heating		
		Date: 10.01.2005 Scale: — Department: tecnico Designed by: Controlled by: Approved by:	A991A132A301 A991B132A301	methane L.P.G. heavy oil
			Code no.: Sheet no.:	B0436_AE1
<small>ALL DESCRIPTIONS AND ILLUSTRATIONS CONTAINED IN THIS LEAFLET HAVE BEEN CAREFULLY PREPARED BUT WE RESERVE THE RIGHT TO MAKE CHANGES AND IMPROVEMENTS IN OUR PRODUCTS WHICH MAY AFFECT THE ACCURACY OF THE INFORMATION CONTAINED IN THIS LEAFLET, E + OE ALL RIGHTS RESERVED. NO PART OF THIS DOCUMENT MAY BE REPRODUCED, SAVED IN STORAGE SYSTEMS OR TRANSMITTED IN ANY FORM OR BY ANY MEANS, WHETHER ELECTRONIC, MECHANICAL, PHOTOCOPIING, RECORDING OR OTHERS, WITHOUT THE MANUFACTURER'S PRIOR AUTHORIZATION IN WRITING.</small>				



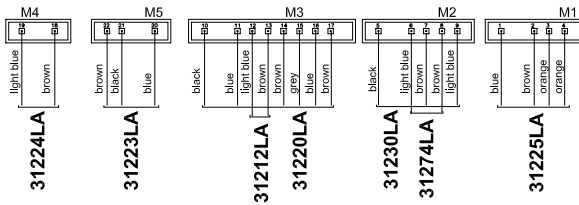
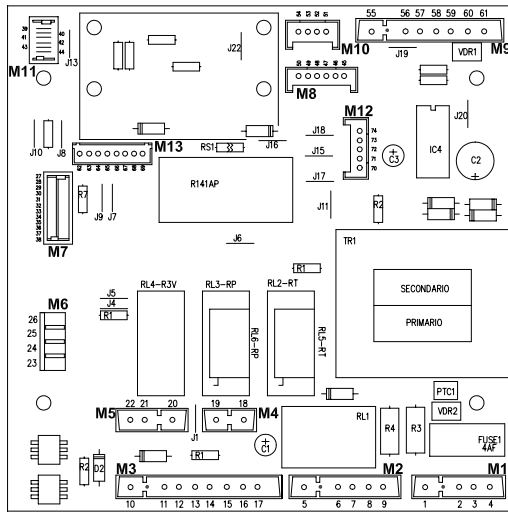
Pos.	Code	Description:	U.M.	Qt.
		Description:	Date: 10.01.2005	A991A132A301 methane
		Wall hung Condensing boiler - Spare parts	Scale: —	A991B132A301 L.P.G.
		THERMAL SYSTEM (ROOM SEALED - ELECT. IGNITION)	Department: tecnico	
		Object / model:	Designed by:	heavy oil
		mod. RH 28	Controlled by:	
		Only heating	Approved by:	Sheet no.: B0437_AE1
<small>ALL DESCRIPTIONS AND ILLUSTRATIONS CONTAINED IN THIS LEAFLET HAVE BEEN CAREFULLY PREPARED BUT WE RESERVE THE RIGHT TO MAKE CHANGES AND IMPROVEMENTS IN OUR PRODUCTS WHICH MAY AFFECT THE ACCURACY OF THE INFORMATION CONTAINED IN THIS LEAFLET, E + OE ALL RIGHTS RESERVED. NO PART OF THIS DOCUMENT MAY BE REPRODUCED, SAVED IN STORAGE SYSTEMS OR TRANSMITTED IN ANY FORM OR BY ANY MEANS, WHETHER ELECTRONIC, MECHANICAL, PHOTOCOPIING, RECORDING OR OTHERS, WITHOUT THE MANUFACTURER'S PRIOR AUTHORISATION IN WRITING.</small>				



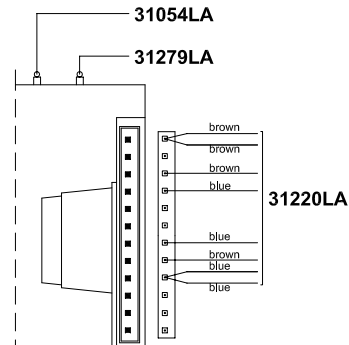
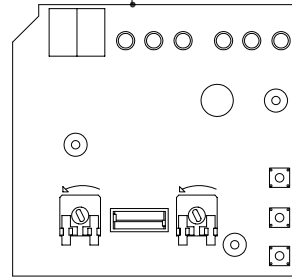
RADIANT BRUCIATORI S.p.A.



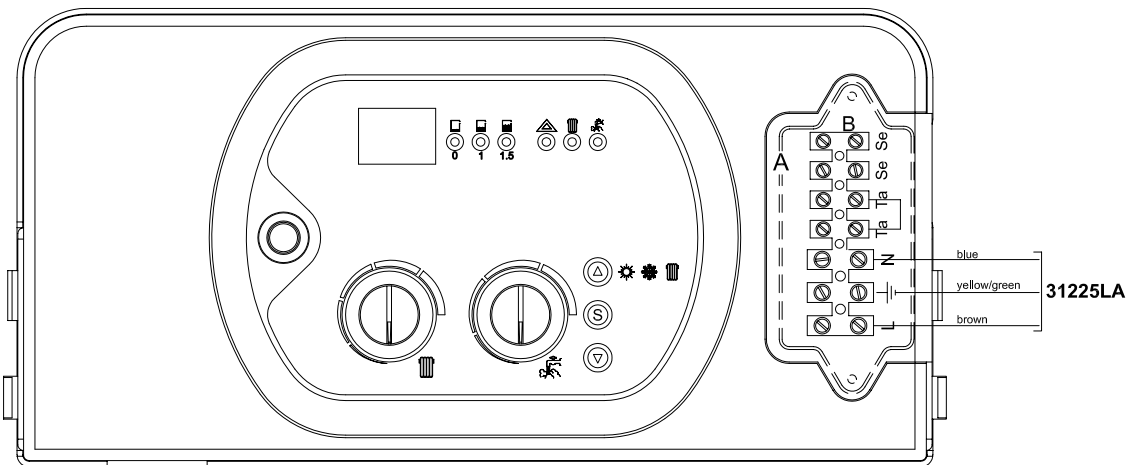
MAIN PRINTED CIRC. BOARD CVI-M SM 20015 COD. 76655LA



DISPLAY DIGITAL BOARD 2000 SKO6206 76654LA



ELECTRONIC IGNITION BOARD S4565QM1012 code 76631LA



Pos.	Code	Description:	U.M.	Qt.
		Description: Wall hung Condensing boiler - Spare parts ELECTRIC SYSTEM (ROOM SEALED- ELECTR. IGNITION)		
		Object / model: mod. RH 28 Only heating		
		Date: 10.01.2005	A991A132A301	methane
		Scale: --	A991B132A301	L.P.G.
		Department: tecnico		
		Designed by:		heavy oil
		Controlled by:		
		Approved by:	Sheet no.:	B0438_AE1

ALL DESCRIPTIONS AND ILLUSTRATIONS CONTAINED IN THIS LEAFLET HAVE BEEN CAREFULLY PREPARED BUT WE RESERVE THE RIGHT TO MAKE CHANGES AND IMPROVEMENTS IN OUR PRODUCTS WHICH MAY AFFECT THE ACCURACY OF THE INFORMATION CONTAINED IN THIS LEAFLET, E + OE ALL RIGHTS RESERVED. NO PART OF THIS DOCUMENT MAY BE REPRODUCED, STORED IN STORAGE SYSTEMS OR TRANSMITTED IN ANY FORM OR BY ANY MEANS, WHETHER ELECTRONIC, MECHANICAL, PHOTOCOPIING, RECORDING OR OTHERWISE, WITHOUT THE MANUFACTURER'S PRIOR AUTHORIZATION IN WRITING.