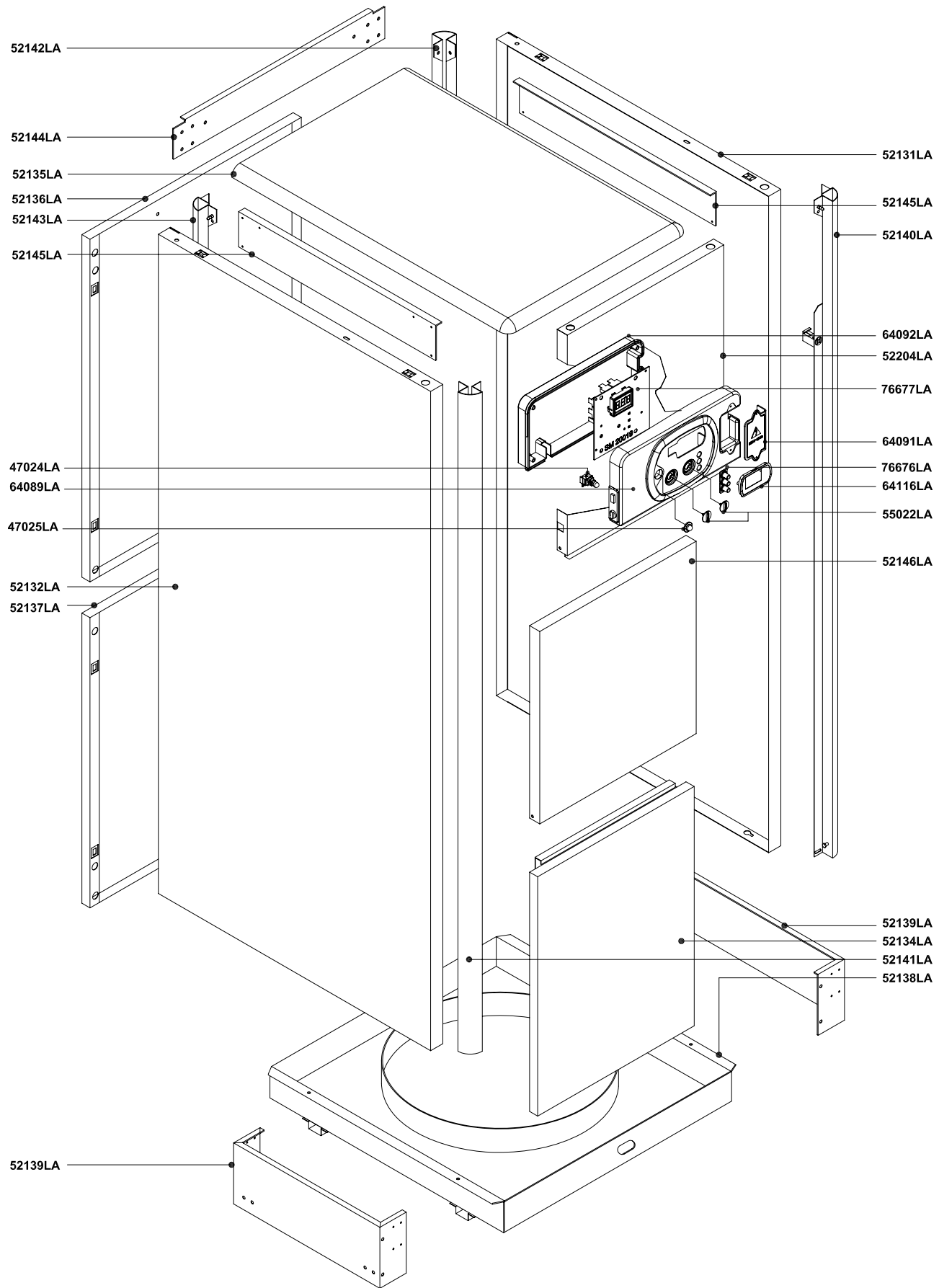
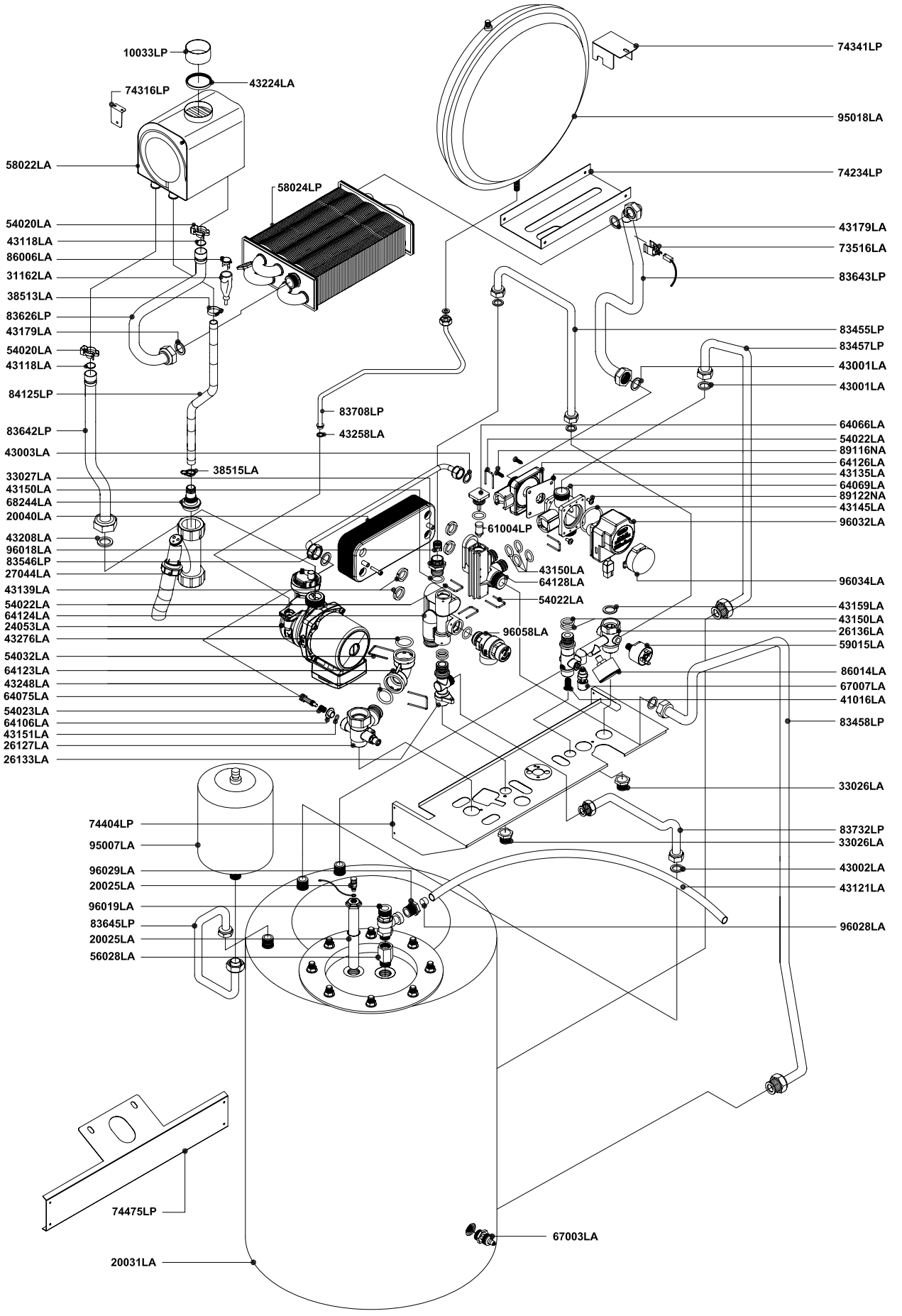


| Rev. | Description | Date |
|------|-------------|------|
|------|-------------|------|



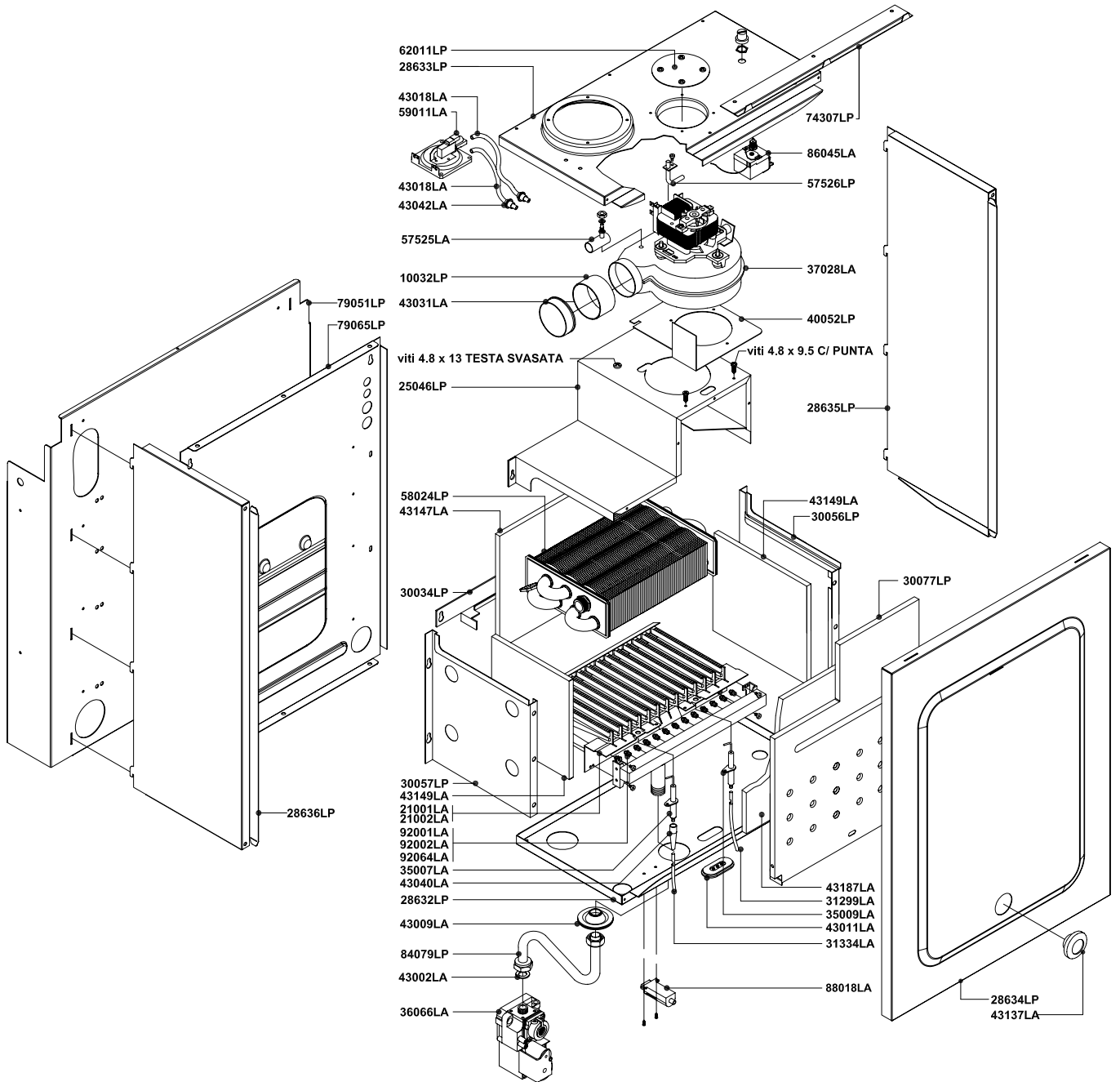
| Pos. | Code | Description:                                     | U.M.         | Qt.              |
|------|------|--|--------------|------------------|
|      |      | Description:                                     |              |                  |
|      |      | <b>Wall hung Condensing boiler - Spare parts</b> |              |                  |
|      |      | <b>FRAME and CASING COMPONENTS</b>               |              |                  |
|      |      | Object / model:                                  |              |                  |
|      |      | <b>mod. RHA 25/100</b>                           |              |                  |
|      |      | Room sealed - electronic ignition                |              |                  |
|      |      | Date: 10.02.2007                                 | A992A452A271 | methane          |
|      |      | Scale: --  | A992B452A271 | L.P.G.           |
|      |      | Department: tecnico                              |              |                  |
|      |      | Designed by:                                     |              | heavy oil        |
|      |      | Controlled by:                                   |              |                  |
|      |      | Approved by:                                     | Sheet no.:   | <b>B0623_AE1</b> |

ALL DESCRIPTIONS AND ILLUSTRATIONS CONTAINED IN THIS LEAFLET HAVE BEEN CAREFULLY PREPARED BUT WE RESERVE THE RIGHT TO MAKE CHANGES AND IMPROVEMENTS IN OUR PRODUCTS WHICH MAY AFFECT THE ACCURACY OF THE INFORMATION CONTAINED IN THIS LEAFLET, E + OE ALL RIGHTS RESERVED. NO PART OF THIS DOCUMENT MAY BE REPRODUCED, SAVED IN STORAGE SYSTEMS OR TRANSMITTED IN ANY FORM OR BY ANY MEANS, WHETHER ELECTRONIC, MECHANICAL, PHOTOCOPIING, RECORDING OR OTHERS, WITHOUT THE MANUFACTURER'S PRIOR AUTHORISATION IN WRITING.



|      |      |  |              |                  |
|------|------|--|--------------|------------------|
| Pos. | Code | Description:                                     | U.M.         | Qt.              |
|      |      | Description:                                     |              |                  |
|      |      | <b>Wall hung Condensing boiler - Spare parts</b> |              |                  |
|      |      | <b>HYDRAULIC SYSTEM</b>                          |              |                  |
|      |      | Object / model:                                  |              |                  |
|      |      | mod. <b>RHA 25/100</b>                           |              |                  |
|      |      | Room sealed - electronic ignition                |              |                  |
|      |      | Date: 10.02.2007                                 | A992A452A271 | methane          |
|      |      | Scale: --  | A992B452A271 | L.P.G.           |
|      |      | Department: tecnico                              |              |                  |
|      |      | Designed by:                                     |              | heavy oil        |
|      |      | Controlled by:                                   |              |                  |
|      |      | Approved by:                                     | Sheet no.:   | <b>B0624_AE1</b> |

ALL DESCRIPTIONS AND ILLUSTRATIONS CONTAINED IN THIS LEAFLET HAVE BEEN CAREFULLY PREPARED BUT WE RESERVE THE RIGHT TO MAKE CHANGES AND IMPROVEMENTS IN OUR PRODUCTS WHICH MAY AFFECT THE ACCURACY OF THE INFORMATION CONTAINED IN THIS LEAFLET, E + OE ALL RIGHTS RESERVED. NO PART OF THIS DOCUMENT MAY BE REPRODUCED, STORED IN RETRIEVAL SYSTEMS OR TRANSMITTED IN ANY FORM OR BY ANY MEANS, WHETHER ELECTRONIC, MECHANICAL, PHOTOCOPIING, RECORDING OR OTHERWISE, WITHOUT THE MANUFACTURER'S PRIOR AUTHORIZATION IN WRITING.



| Pos.  | Code | Description:                                     | U.M.                | Qt.                         |
|---|------|--|---------------------|-----------------------------|
|   |      | Description:                                     | Date: 10.02.2007    | A992A452A271 methane        |
|   |      | <b>Wall hung Condensing boiler - Spare parts</b> | Scale: --           | A992B452A271 L.P.G.         |
|   |      | <b>THERMAL SYSTEM</b>                            | Department: tecnico |                             |
|   |      | Object / model:                                  | Designed by:        | heavy oil                   |
|   |      | <b>mod. RHA 25/100</b>                           | Controlled by:      |                             |
|   |      | Room sealed - electronic ignition                | Approved by:        | Sheet no.: <b>B0625_AE1</b> |
| <small>ALL DESCRIPTIONS AND ILLUSTRATIONS CONTAINED IN THIS LEAFLET HAVE BEEN CAREFULLY PREPARED BUT WE RESERVE THE RIGHT TO MAKE CHANGES AND IMPROVEMENTS IN OUR PRODUCTS WHICH MAY AFFECT THE ACCURACY OF THE INFORMATION CONTAINED IN THIS LEAFLET, E + OE ALL RIGHTS RESERVED. NO PART OF THIS DOCUMENT MAY BE REPRODUCED, SAVED IN STORAGE SYSTEMS OR TRANSMITTED IN ANY FORM OR BY ANY MEANS, WHETHER ELECTRONIC, MECHANICAL, PHOTOCOPIING, RECORDING OR OTHERS, WITHOUT THE MANUFACTURER'S PRIOR AUTHORISATION IN WRITING.</small> |      |  |                     |                             |



RADIANT BRUCIATORI S.p.A.

