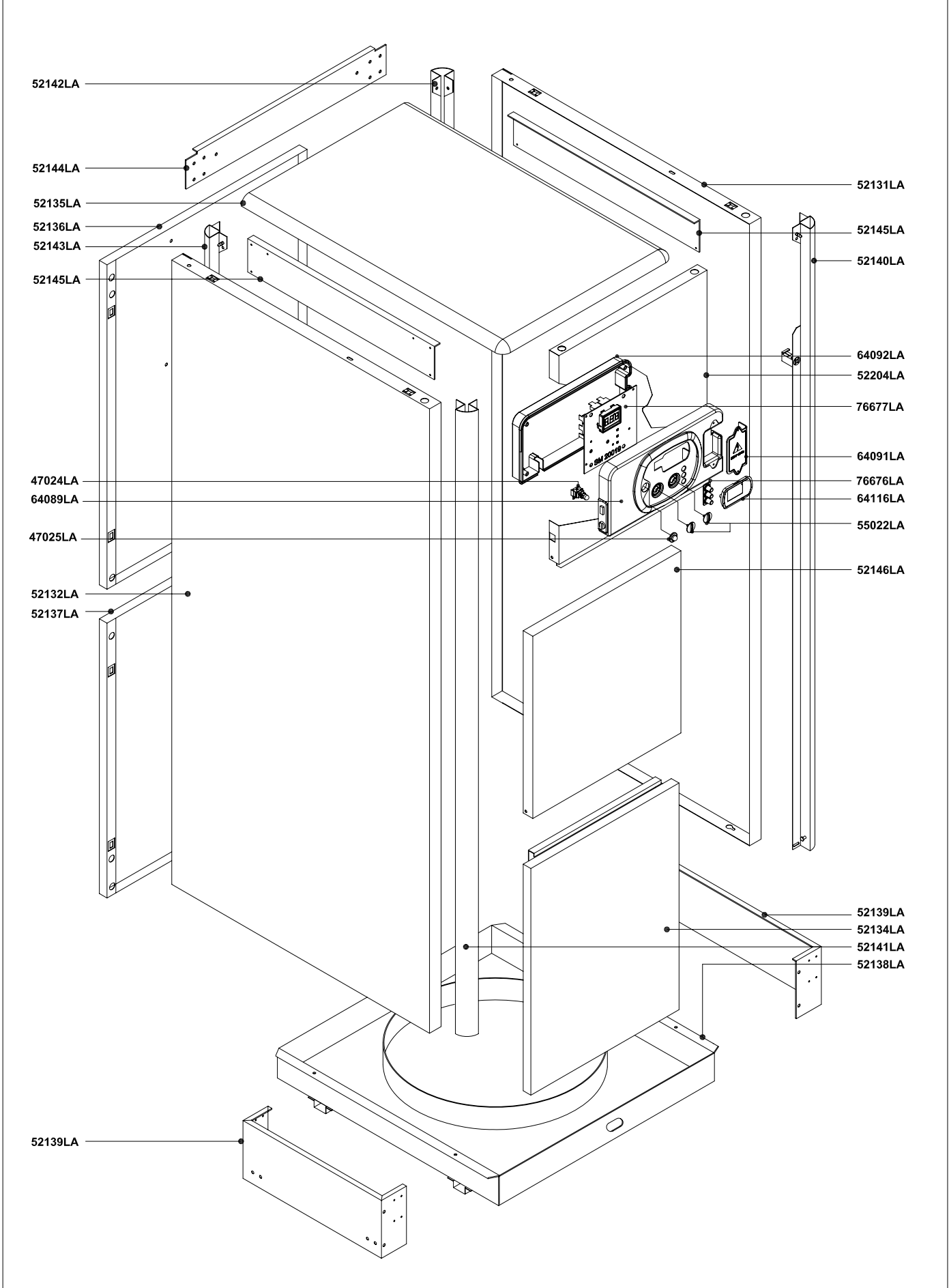



Rev.	Description	Date
------	-------------	------



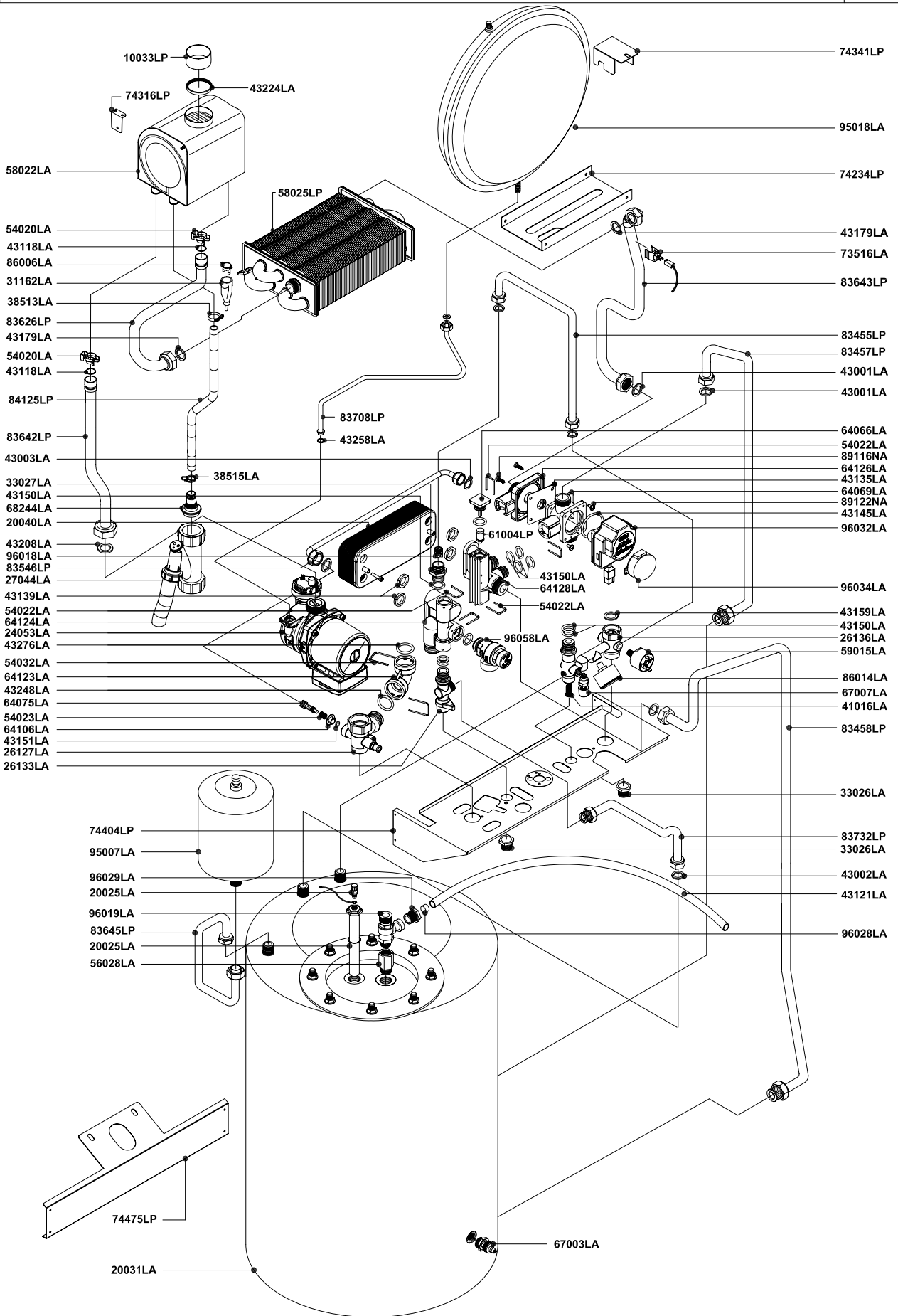
- 52142LA
- 52144LA
- 52135LA
- 52136LA
- 52143LA
- 52145LA
- 47024LA
- 64089LA
- 47025LA
- 52132LA
- 52137LA
- 52131LA
- 52145LA
- 52140LA
- 64092LA
- 52204LA
- 76677LA
- 64091LA
- 76676LA
- 64116LA
- 55022LA
- 52146LA
- 52139LA
- 52134LA
- 52141LA
- 52138LA
- 52139LA

 RADIANT BRUCIATORI S.p.A.	Pos.	Code	Description:	Date: 10.02.2007	U.M.	Qt.
			Description: <b>Wall hung Condensing boiler - Spare parts</b> <b>FRAME and CASING COMPONENTS</b> Object / model: <b>mod. RHA 34/100</b> Room sealed - electronic ignition	Scale: -- Department: tecnico Designed by: Controlled by: Approved by:	A992A452A571 A992B452A571	methane L.P.G. heavy oil
				Code no.:	Sheet no.: <b>B0627_AE1</b>	
<small>ALL DESCRIPTIONS AND ILLUSTRATIONS CONTAINED IN THIS LEAFLET HAVE BEEN CAREFULLY PREPARED BUT WE RESERVE THE RIGHT TO MAKE CHANGES AND IMPROVEMENTS IN OUR PRODUCTS WHICH MAY AFFECT THE ACCURACY OF THE INFORMATION CONTAINED IN THIS LEAFLET, E + OE ALL RIGHTS RESERVED. NO PART OF THIS DOCUMENT MAY BE REPRODUCED, SAID IN STORAGE SYSTEMS OR TRANSMITTED IN ANY FORM OR BY ANY MEANS, WHETHER ELECTRONIC, MECHANICAL, PHOTOCOPIING, RECORDING OR OTHERS, WITHOUT THE MANUFACTURERS PRIOR AUTHORISATION IN WRITING.</small>						

Rev.

Description

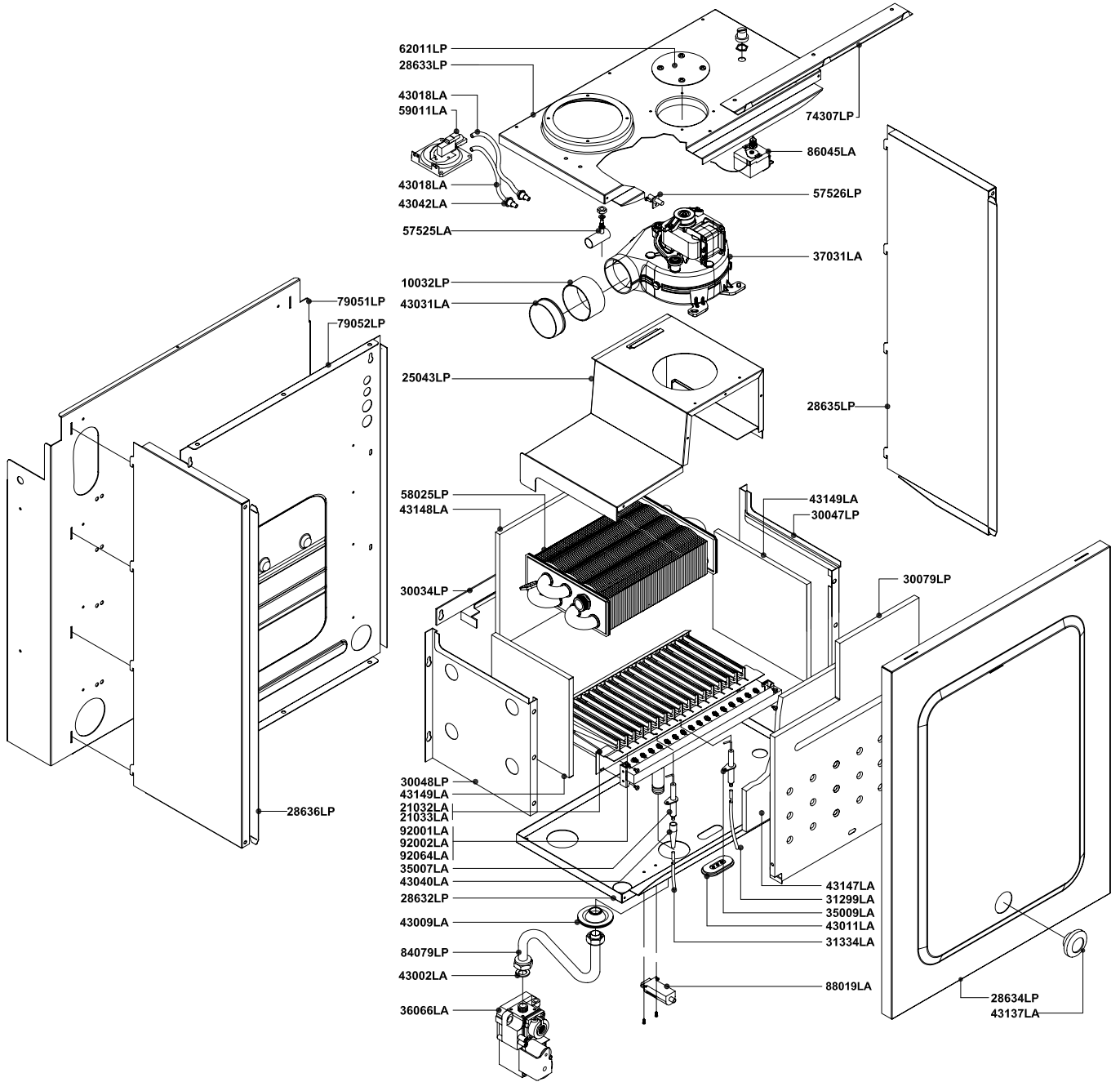
Date



Pos.	Code	Description:	U.M.	Qt.
		Description:		
		<b>Wall hung Condensing boiler - Spare parts</b>		
		<b>HYDRAULIC SYSTEM</b>		
		Object / model:		
		<b>mod. RHA 34/100</b>		
		Room sealed - electronic ignition		
		Date: 10.02.2007	A992A452A571	methane
		Scale: --	A992B452A571	L.P.G.
		Department: tecnico		
		Designed by:		heavy oil
		Controlled by:		
		Approved by:	Sheet no.:	<b>B0628_AE1</b>

ALL DESCRIPTIONS AND ILLUSTRATIONS CONTAINED IN THIS LEAFLET HAVE BEEN CAREFULLY PREPARED BUT WE RESERVE THE RIGHT TO MAKE CHANGES AND IMPROVEMENTS IN OUR PRODUCTS WHICH MAY AFFECT THE ACCURACY OF THE INFORMATION CONTAINED IN THIS LEAFLET, E + OE ALL RIGHTS RESERVED. NO PART OF THIS DOCUMENT MAY BE REPRODUCED, STORED IN RETRIEVAL SYSTEMS OR TRANSMITTED IN ANY FORM OR BY ANY MEANS, WHETHER ELECTRONIC, MECHANICAL, PHOTOCOPIING, RECORDING OR OTHERWISE, WITHOUT THE MANUFACTURER'S PRIOR AUTHORIZATION IN WRITING.

Rev.	Description	Date
------	-------------	------



Pos.	Code	Description:	U.M.	Qt.
		Description: <b>Wall hung Condensing boiler - Spare parts</b> <b>THERMAL SYSTEM</b>		
		Object / model: <b>mod. RHA 34/100</b> Room sealed - electronic ignition		
		Date: 10.02.2007	A992A452A571	methane
		Scale: --	A992B452A571	L.P.G.
		Department: tecnico		
		Designed by:		heavy oil
		Controlled by:		
		Approved by:	Sheet no.:	<b>B0629_AE1</b>

ALL DESCRIPTIONS AND ILLUSTRATIONS CONTAINED IN THIS LEAFLET HAVE BEEN CAREFULLY PREPARED BUT WE RESERVE THE RIGHT TO MAKE CHANGES AND IMPROVEMENTS IN OUR PRODUCTS WHICH MAY AFFECT THE ACCURACY OF THE INFORMATION CONTAINED IN THIS LEAFLET, E + OE ALL RIGHTS RESERVED. NO PART OF THIS DOCUMENT MAY BE REPRODUCED, SAVED IN STORAGE SYSTEMS OR TRANSMITTED IN ANY FORM OR BY ANY MEANS, WHETHER ELECTRONIC, MECHANICAL, PHOTOCOPIING, RECORDING OR OTHERWISE, WITHOUT THE MANUFACTURER'S PRIOR AUTHORISATION IN WRITING.

