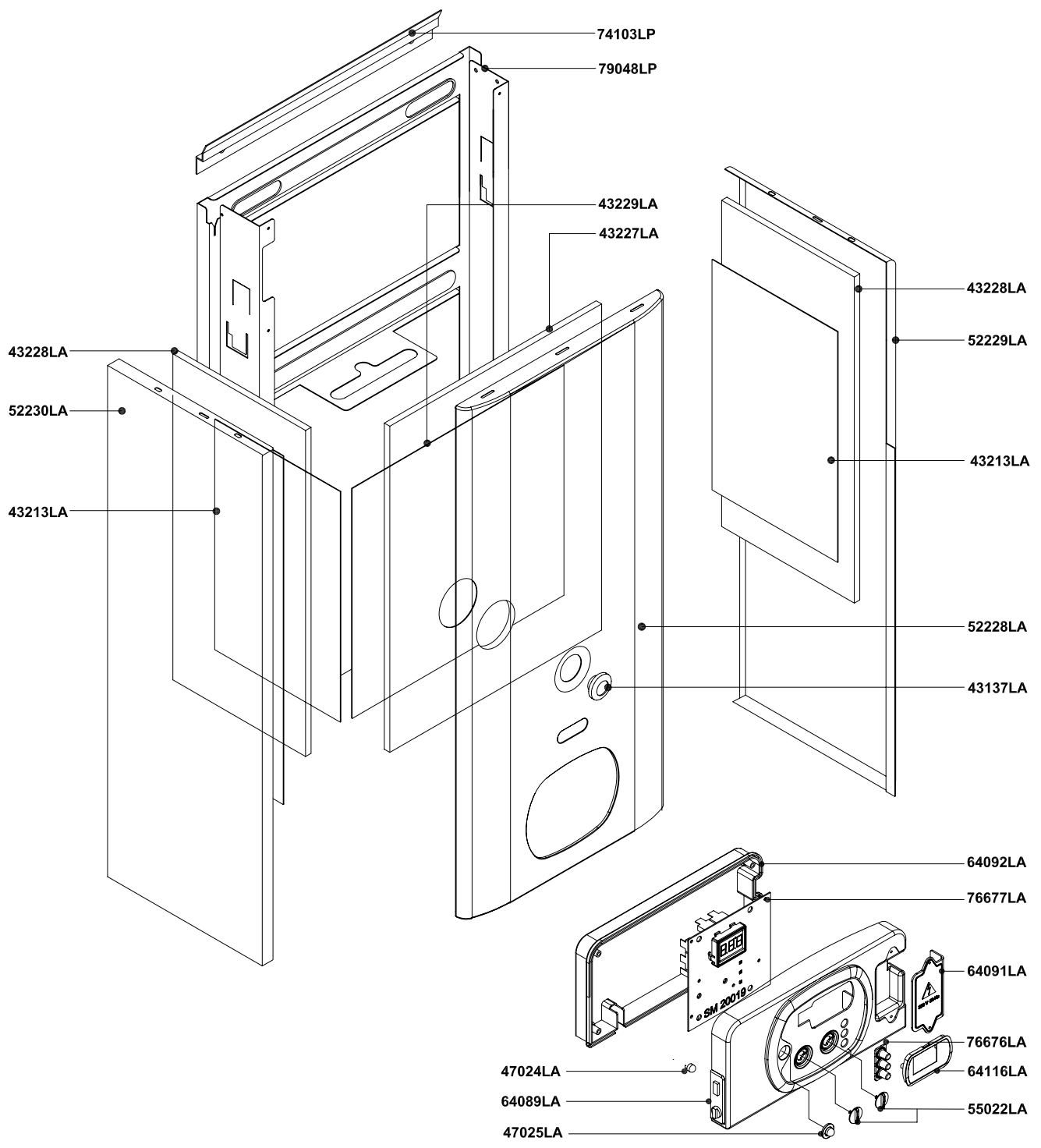
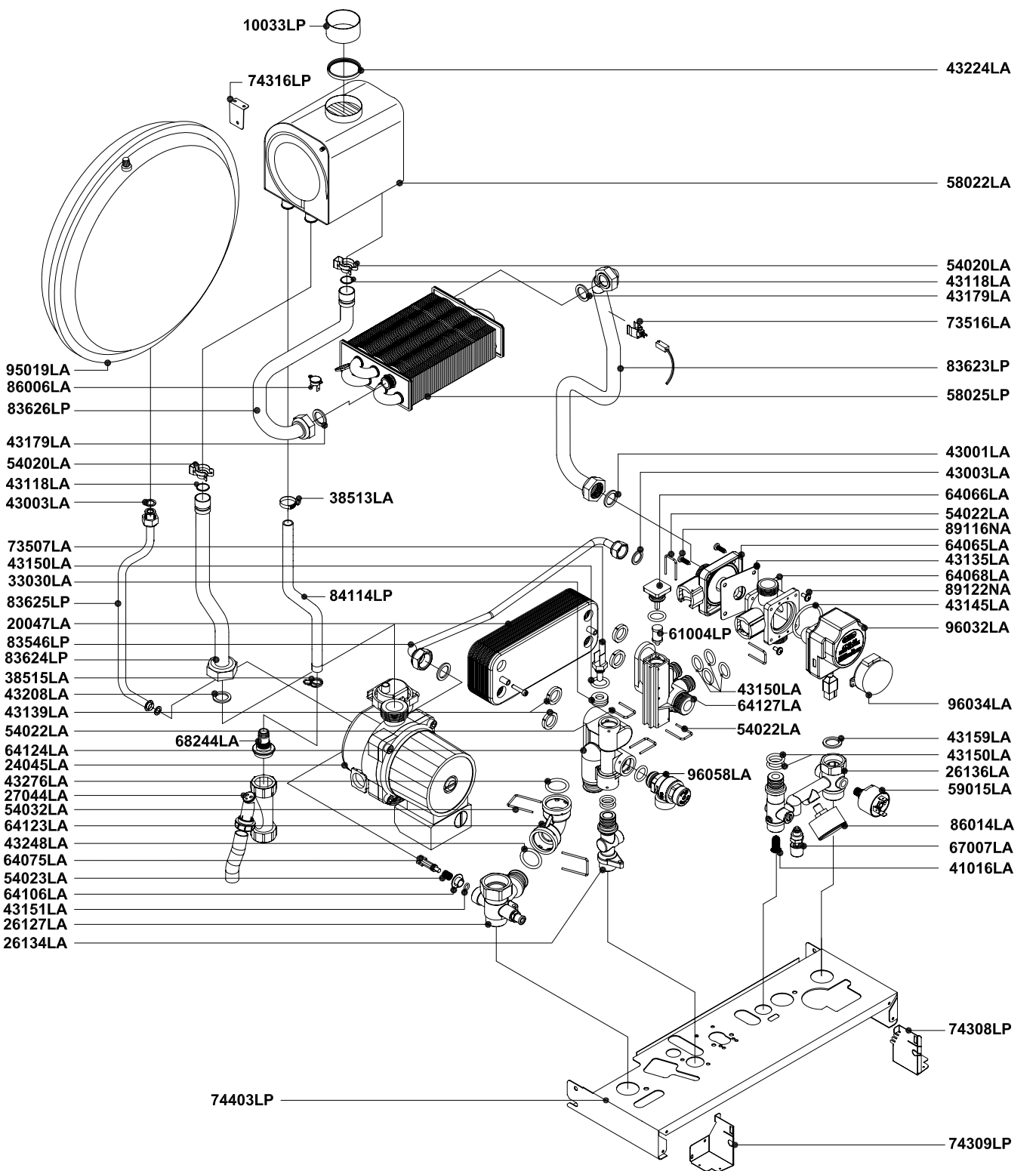


Rev.	Description	Date
------	-------------	------

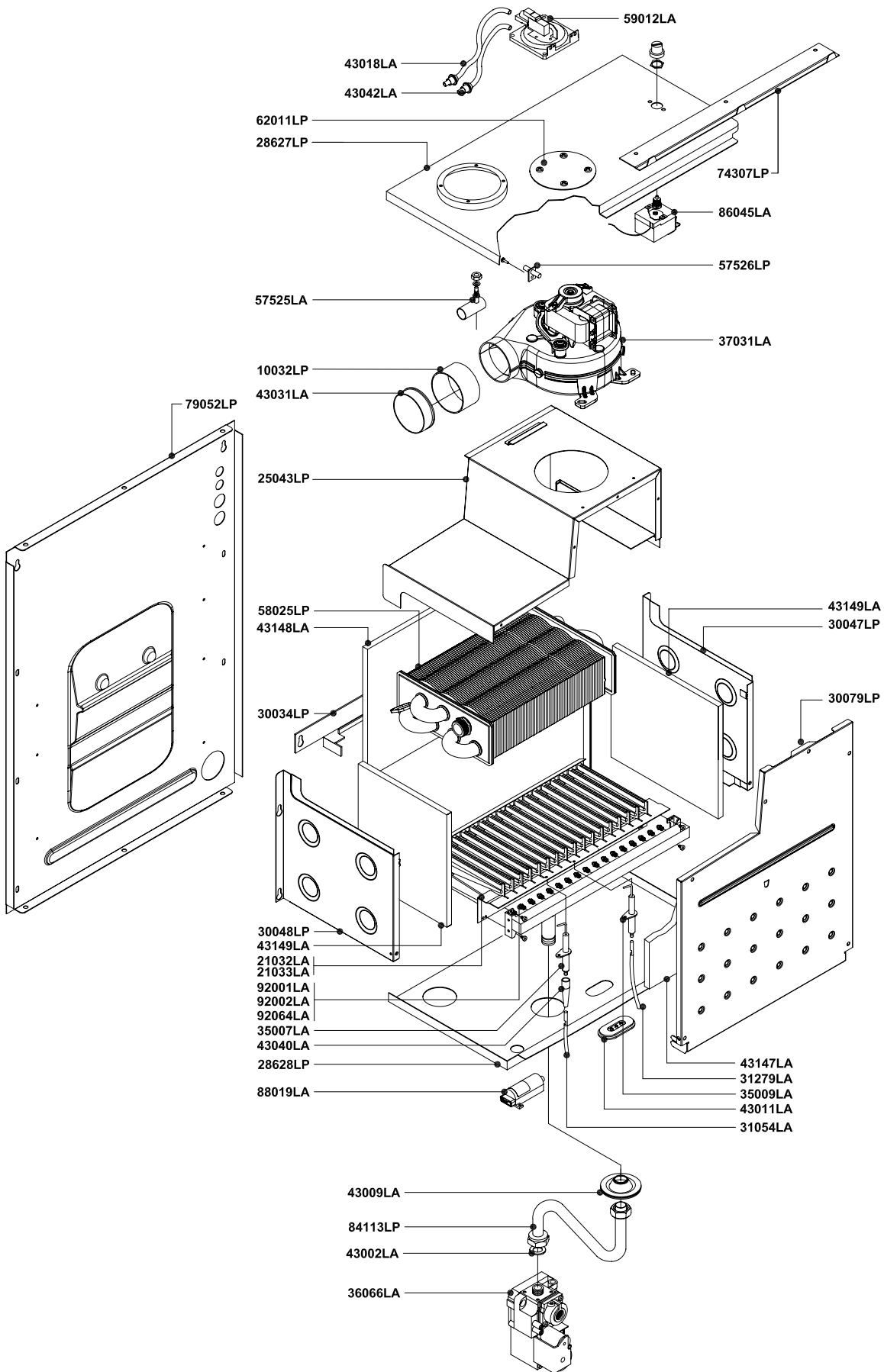


Pos.	Code	Description:	U.M.	Qt.
		Description:		
		Wall hung Condensing boiler - Spare parts		
		FRAME and CASING COMPONENTS		
		Object / model:		
		mod. RHR 29		
		Room sealed - electronic ignition		
		Date: 22.01.2007	A991A252A301	methane
		Scale: --	A991B252A301	L.P.G.
		Department: tecnico		
		Designed by:		heavy oil
		Controlled by:		
		Approved by:	Sheet no.:	B0556_AE1
<small>ALL DESCRIPTIONS AND ILLUSTRATIONS CONTAINED IN THIS LEAFLET HAVE BEEN CAREFULLY PREPARED BUT WE RESERVE THE RIGHT TO MAKE CHANGES AND IMPROVEMENTS IN OUR PRODUCTS WHICH MAY AFFECT THE ACCURACY OF THE INFORMATION CONTAINED IN THIS LEAFLET. E + OE ALL RIGHTS RESERVED. NO PART OF THIS DOCUMENT MAY BE REPRODUCED, SAVED IN STORAGE SYSTEMS OR TRANSMITTED IN ANY FORM OR BY ANY MEANS, WHETHER ELECTRONIC, MECHANICAL, PHOTOCOPIING, RECORDING OR OTHERS, WITHOUT THE MANUFACTURER'S PRIOR AUTHORISATION IN WRITING.</small>				





Pos.	Code	Description:	U.M.	Qt.
		Description:	Date: 20.01.2007	A991A252A301 methane
		Wall hung Condensing boiler - Spare parts	Scale: --	A991B252A301 L.P.G.
		HYDRAULIC SYSTEM	Department: tecnico	
		Object / model:	Designed by:	heavy oil
		mod. RHR 29	Controlled by:	
		Room sealed - electronic ignition	Approved by:	Sheet no.: B0557_AE1
RADIANT <small>RADIANT BRUCIATORI S.p.A.</small>				
<small>ALL DESCRIPTIONS AND ILLUSTRATIONS CONTAINED IN THIS LEAFLET HAVE BEEN CAREFULLY PREPARED BUT WE RESERVE THE RIGHT TO MAKE CHANGES AND IMPROVEMENTS IN OUR PRODUCTS WHICH MAY AFFECT THE ACCURACY OF THE INFORMATION CONTAINED IN THIS LEAFLET, E + OE ALL RIGHTS RESERVED. NO PART OF THIS DOCUMENT MAY BE REPRODUCED, SAVED IN STORAGE SYSTEMS OR TRANSMITTED IN ANY FORM OR BY ANY MEANS, WHETHER ELECTRONIC, MECHANICAL, PHOTOCOPIING, RECORDING OR OTHERS, WITHOUT THE MANUFACTURERS PRIOR AUTHORISATION IN WRITING.</small>				



Pos.	Code	Description:	U.M.	Qt.
		Description:	Date: 22.01.2007	A991A252A301 methane
		Wall hung Condensing boiler - Spare parts	Scale: --	A991B252A301 L.P.G.
		THERMAL SYSTEM (ROOM SEALED - ELECT. IGNITION)	Department: tecnico	
		Object / model:	Designed by:	heavy oil
		mod. RHR 29	Controlled by:	
		Room sealed - electronic ignition	Approved by:	Sheet no.: B0558_AE2
<small>ALL DESCRIPTIONS AND ILLUSTRATIONS CONTAINED IN THIS LEAFLET HAVE BEEN CAREFULLY PREPARED BUT WE RESERVE THE RIGHT TO MAKE CHANGES AND IMPROVEMENTS IN OUR PRODUCTS WHICH MAY AFFECT THE ACCURACY OF THE INFORMATION CONTAINED IN THIS LEAFLET, E + OE ALL RIGHTS RESERVED. NO PART OF THIS DOCUMENT MAY BE REPRODUCED, SAVED IN STORAGE SYSTEMS OR TRANSMITTED IN ANY FORM OR BY ANY MEANS, WHETHER ELECTRONIC, MECHANICAL, PHOTOCOPIING, RECORDING OR OTHERS, WITHOUT THE MANUFACTURER'S PRIOR AUTHORISATION IN WRITING.</small>				



RADIANT BRUCIATORI S.p.A.

