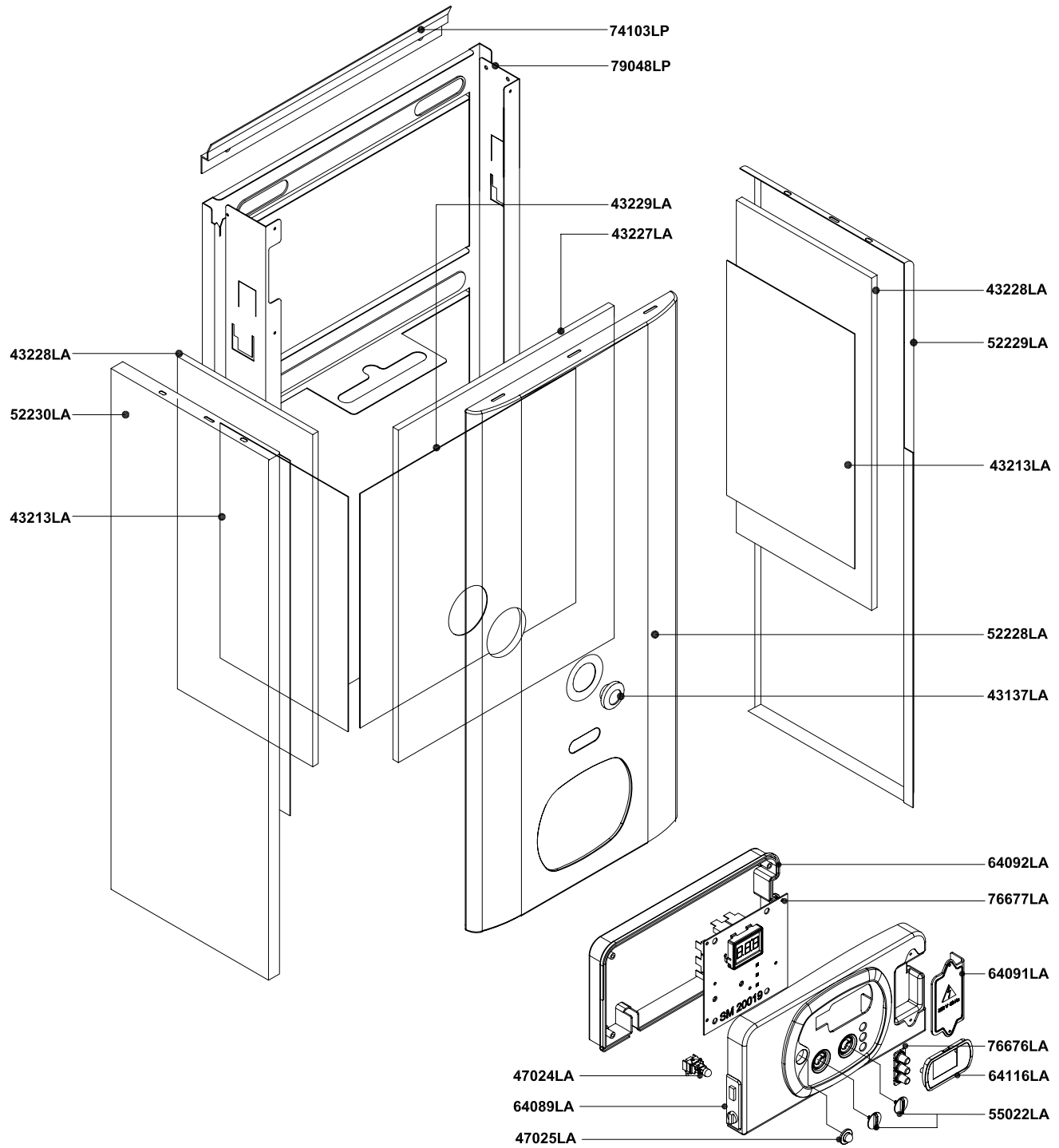
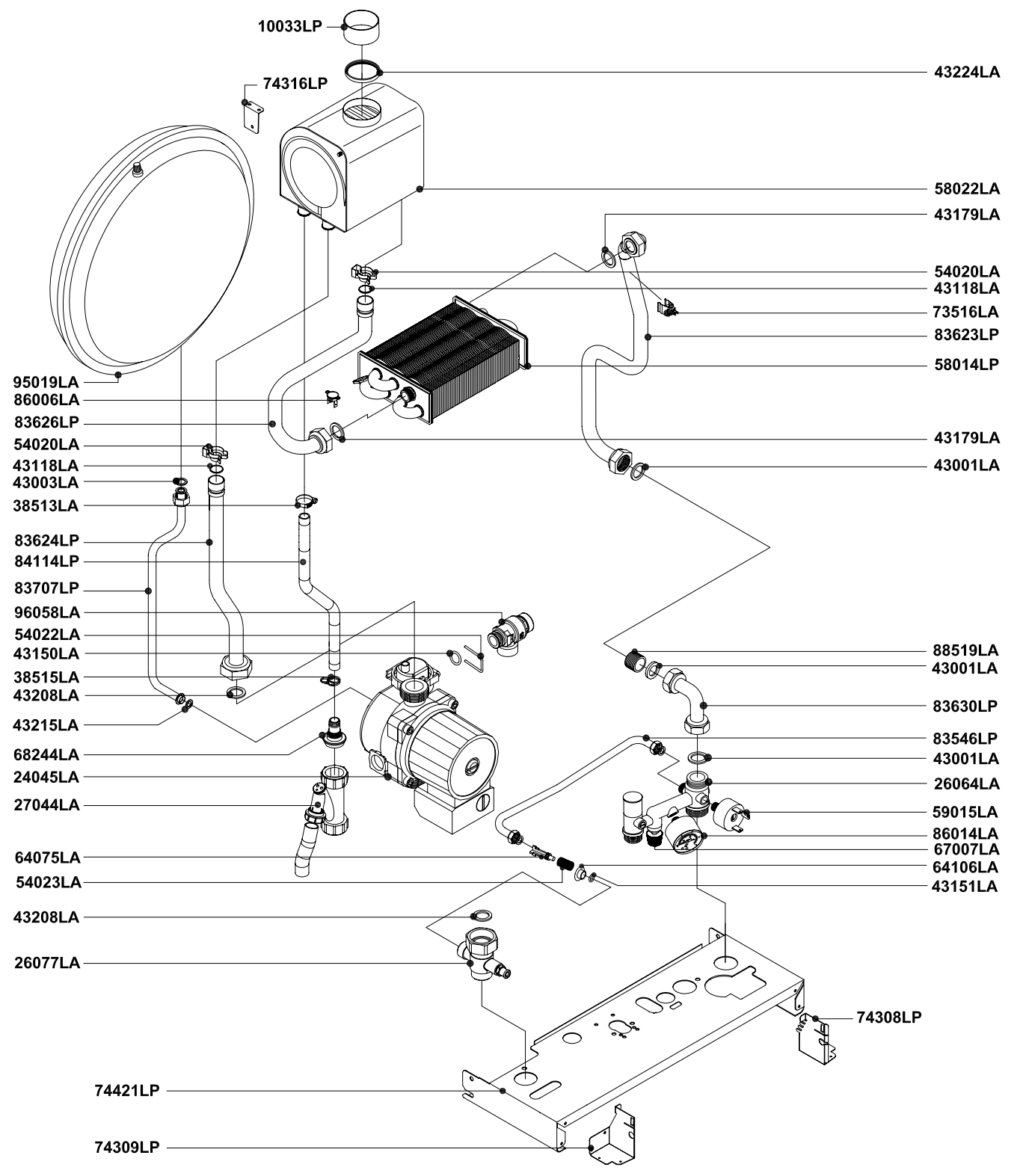


| | | |
|------|-------------|------|
| Rev. | Description | Date |
|------|-------------|------|



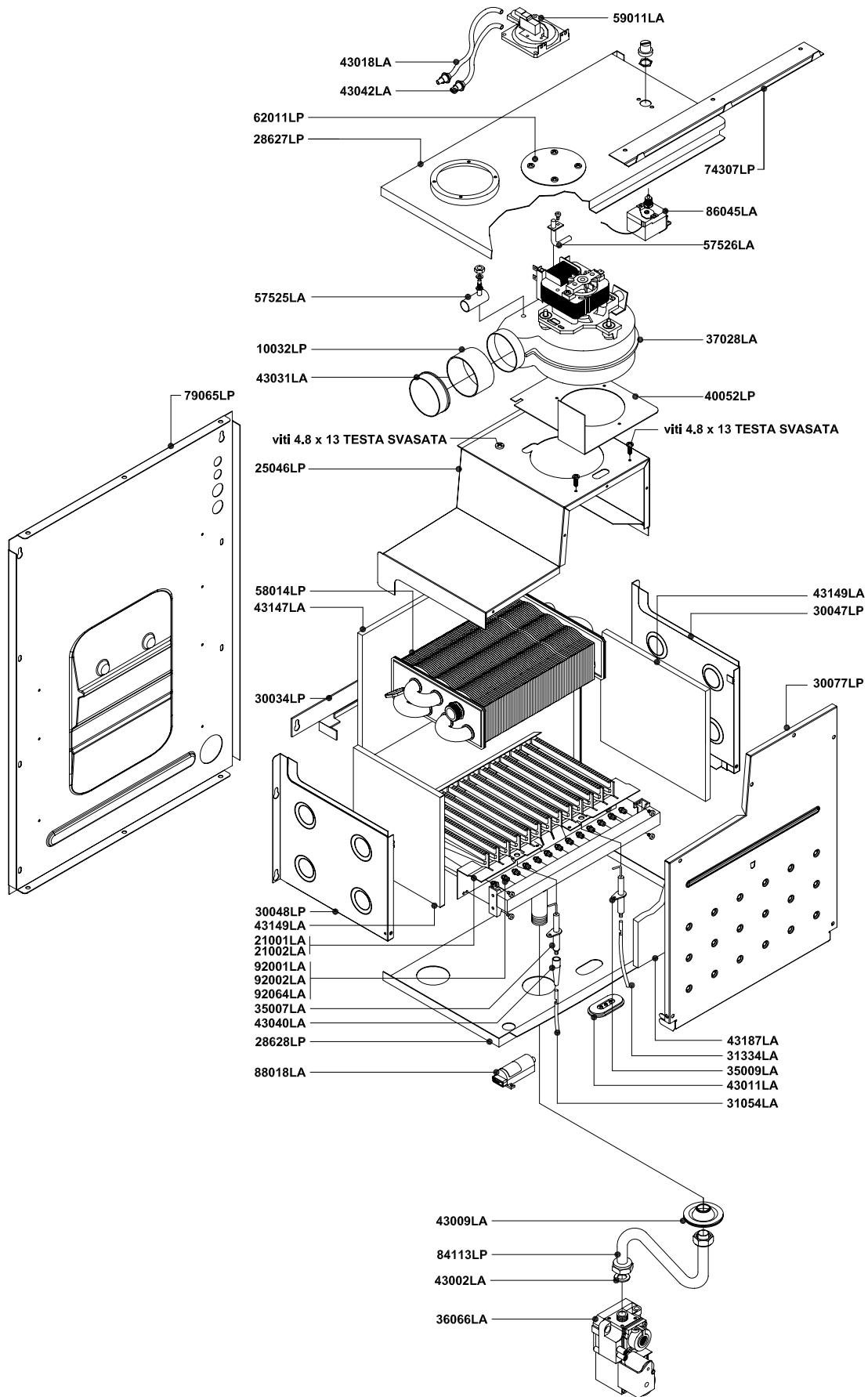
| | | | | |
|--|------|--|---------------------|-----------------------------|
| Pos. | Code | Description: | U.M. | Qt. |
| | | Description: | Date: 10.01.2007 | A991A152A201 methane |
| | | Wall hung Condensing boiler - Spare parts | Scale: -- | A991B152A201 L.P.G. |
| | | FRAME and CASING COMPONENTS | Department: tecnico | |
| | | Object / model: | Designed by: | heavy oil |
| | | mod. RH 25 | Controlled by: | |
| | | Only heating | Approved by: | Sheet no.: B0568_AE1 |
|  | | | | |
| <small>ALL DESCRIPTIONS AND ILLUSTRATIONS CONTAINED IN THIS LEAFLET HAVE BEEN CAREFULLY PREPARED BUT WE RESERVE THE RIGHT TO MAKE CHANGES AND IMPROVEMENTS IN OUR PRODUCTS WHICH MAY AFFECT THE ACCURACY OF THE INFORMATION CONTAINED IN THIS LEAFLET, E + OE ALL RIGHTS RESERVED. NO PART OF THIS DOCUMENT MAY BE REPRODUCED, SAVED IN STORAGE SYSTEMS OR TRANSMITTED IN ANY FORM OR BY ANY MEANS, WHETHER ELECTRONIC, MECHANICAL, PHOTOCOPIING, RECORDING OR OTHERS, WITHOUT THE MANUFACTURERS PRIOR AUTHORISATION IN WRITING.</small> | | | | |

| | | |
|------|-------------|------|
| Rev. | Description | Date |
|------|-------------|------|



| | | | | | | |
|------|------|--|----------------|------------|--------------|------------------|
| Pos. | Code | Description: | Date: | 10.01.2007 | U.M. | Qt. |
| | | Description: | Scale: | --- | A991A152A201 | methane |
| | | Wall hung Condensing boiler - Spare parts | Department: | tecnico | A991B152A201 | L.P.G. |
| | | HYDRAULIC SYSTEM | Designed by: | | | |
| | | Object / model: | Controlled by: | | | heavy oil |
| | | mod. RH 25 | Approved by: | | Sheet no.: | B0569_AE1 |
| | | Only heating | | | | |

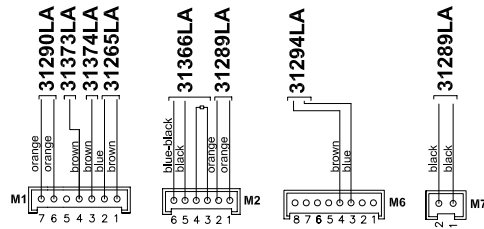
ALL DESCRIPTIONS AND ILLUSTRATIONS CONTAINED IN THIS LEAFLET HAVE BEEN CAREFULLY PREPARED BUT WE RESERVE THE RIGHT TO MAKE CHANGES AND IMPROVEMENTS IN OUR PRODUCTS WHICH MAY AFFECT THE ACCURACY OF THE INFORMATION CONTAINED IN THIS LEAFLET, E + OE ALL RIGHTS RESERVED. NO PART OF THIS DOCUMENT MAY BE REPRODUCED, SAVED IN STORAGE SYSTEMS OR TRANSMITTED IN ANY FORM OR BY ANY MEANS, WHETHER ELECTRONIC, MECHANICAL, PHOTOCOPIING, RECORDING OR OTHERS, WITHOUT THE MANUFACTURERS PRIOR AUTHORISATION IN WRITING.



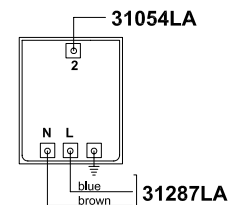
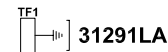
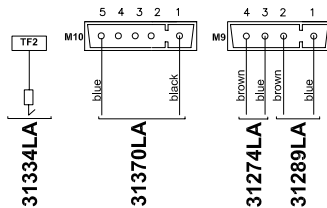
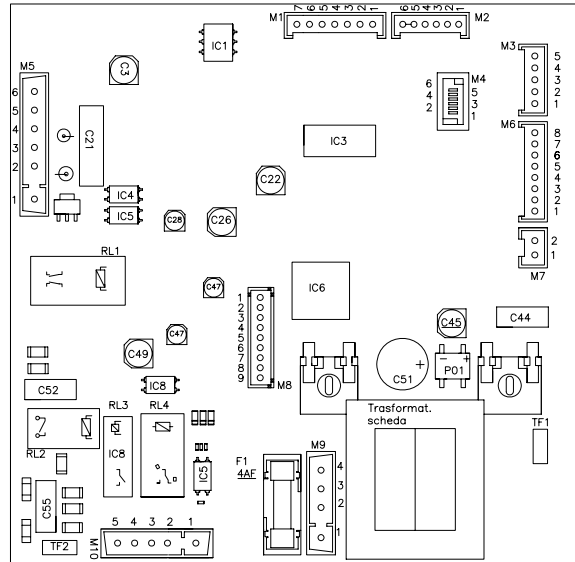
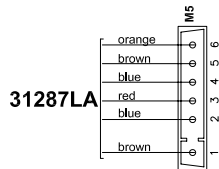
| Pos. | Code | Description: | U.M. | Qt. |
|---|------|---|---------------------|-----------------------------|
| | | Description: | Date: 22.01.2007 | A991A152A201 methane |
| | | Wall hung Condensing boiler - Spare parts | Scale: -- | A991B152A201 L.P.G. |
| | | THERMAL SYSTEM (ROOM SEALED - ELECT. IGNITION) | Department: tecnico | |
| | | Object / model: | Designed by: | heavy oil |
| | | mod. RH 25 | Controlled by: | |
| | | Only heating | Approved by: | Sheet no.: B0570_AE1 |
| <small>ALL DESCRIPTIONS AND ILLUSTRATIONS CONTAINED IN THIS LEAFLET HAVE BEEN CAREFULLY PREPARED BUT WE RESERVE THE RIGHT TO MAKE CHANGES AND IMPROVEMENTS IN OUR PRODUCTS WHICH MAY AFFECT THE ACCURACY OF THE INFORMATION CONTAINED IN THIS LEAFLET, E + OE ALL RIGHTS RESERVED. NO PART OF THIS DOCUMENT MAY BE REPRODUCED, SAVED IN STORAGE SYSTEMS OR TRANSMITTED IN ANY FORM OR BY ANY MEANS, WHETHER ELECTRONIC, MECHANICAL, PHOTOCOPIING, RECORDING OR OTHERS, WITHOUT THE MANUFACTURER'S PRIOR AUTHORISATION IN WRITING.</small> | | | | |



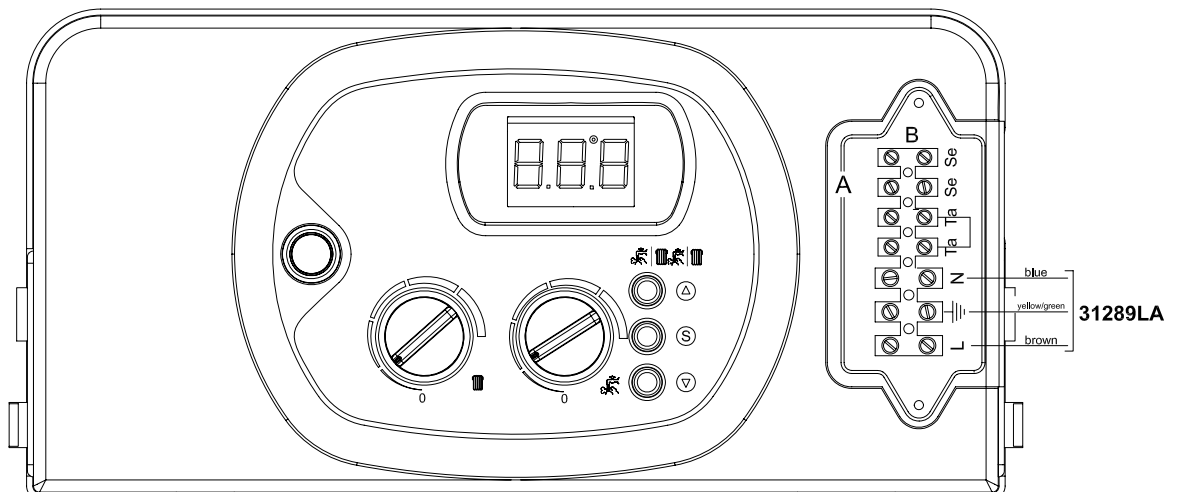
RADIANT BRUCIATORI S.p.A.



PRITED CIRCUIT BOARD - SM 20019
DIGITECH code 76677LA



IGNITION TRANSFORMER 10HZ
AC1A114 code 88018LA



| Pos. | Code | Description: | U.M. | Qt. |
|------|------|---|--------------|------------------|
| | | Description: Wall hung Condensing boiler - Spare parts THERMAL SYSTEM (ROOM SEALED - ELECT. IGNITION) | | |
| | | Object / model: mod. RH 25 Only heating | | |
| | | Date: 14.06.07 | A991A152A201 | methane |
| | | Scale: -- | A991B152A201 | L.P.G. |
| | | Department: tecnico | | |
| | | Designed by: | | heavy oil |
| | | Controlled by: | | |
| | | Approved by: | Sheet no.: | B0571_AE1 |