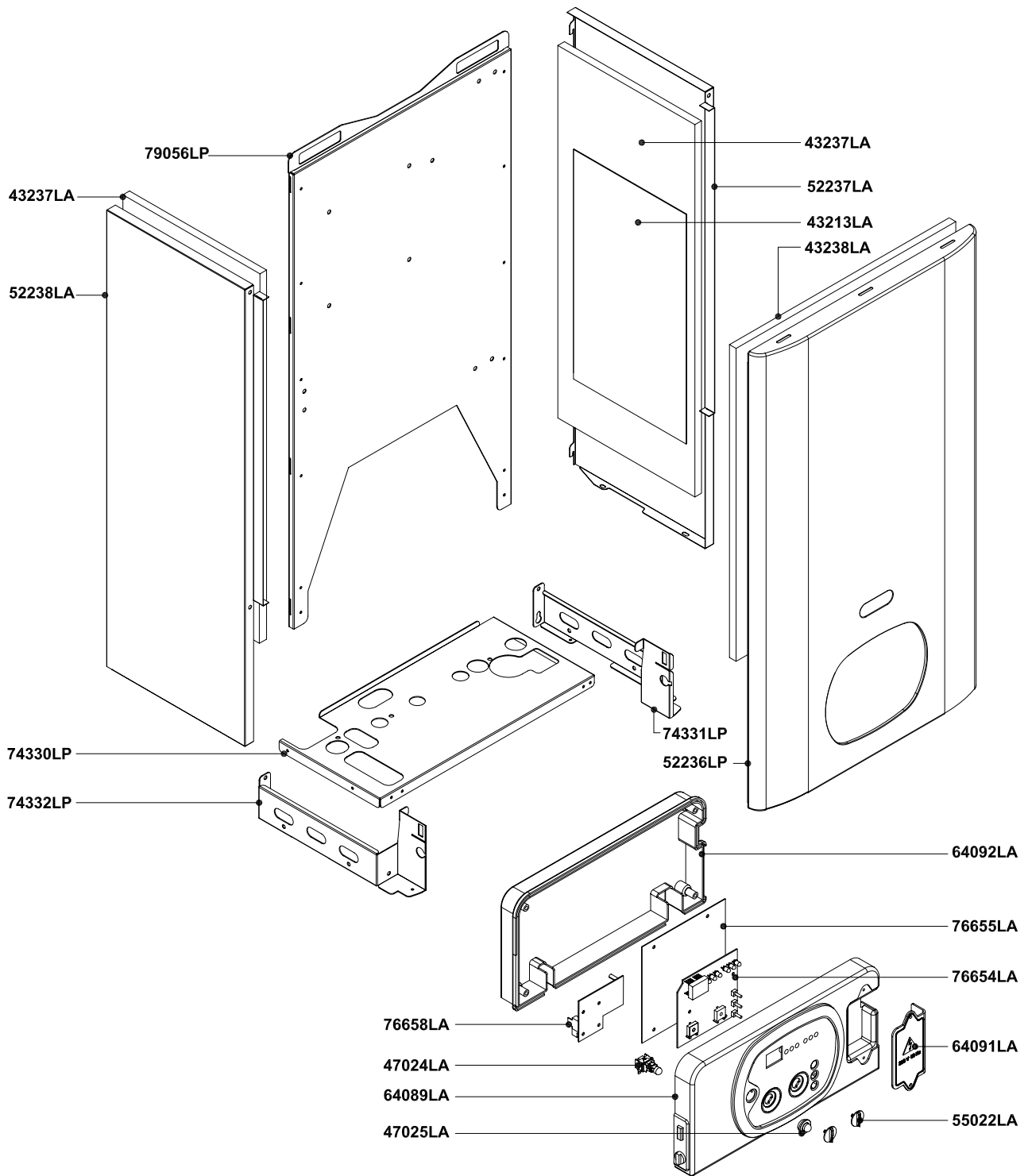


Rev.	Description	Date
------	-------------	------

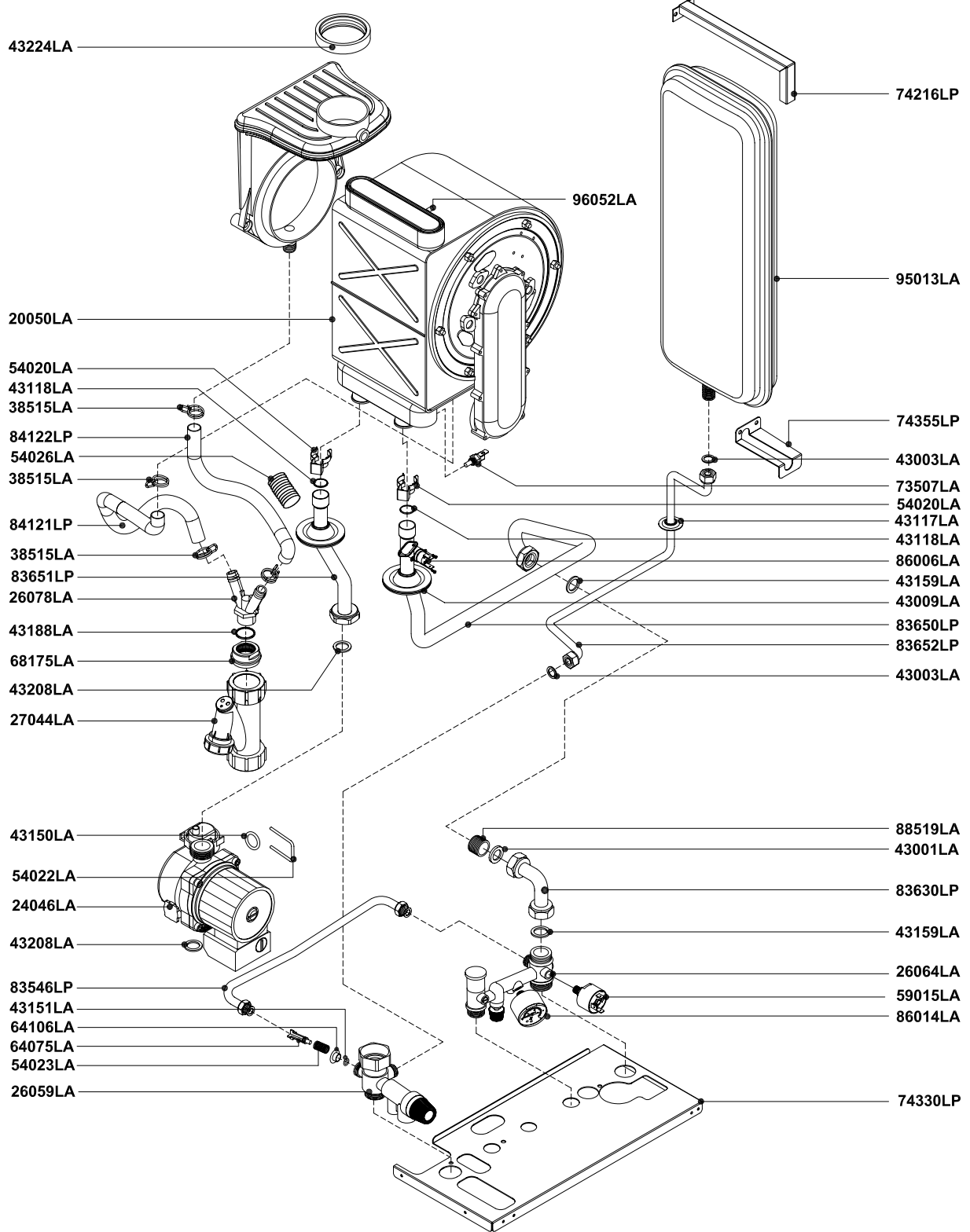



Pos.	Code	Description:	U.M.	Qt.
		Description:	Date: 17.06.05	A991A132B201 methane
		<b>Wall hung Condensing boiler - Spare parts</b>	Scale: --	A991B132B201 L.P.G.
		<b>FRAME and CASING COMPONENTS</b>	Department: tecnico	
		Object / model:	Designed by:	heavy oil
		mod. <b>RK 25</b>	Controlled by:	
		Only Heating	Approved by:	Sheet no.: <b>B0451_AE1</b>
<small>ALL DESCRIPTIONS AND ILLUSTRATIONS CONTAINED IN THIS LEAFLET HAVE BEEN CAREFULLY PREPARED BUT WE RESERVE THE RIGHT TO MAKE CHANGES AND IMPROVEMENTS IN OUR PRODUCTS WHICH MAY AFFECT THE ACCURACY OF THE INFORMATION CONTAINED IN THIS LEAFLET, E + OE ALL RIGHTS RESERVED. NO PART OF THIS DOCUMENT MAY BE REPRODUCED, SAID IN STORAGE SYSTEMS OR TRANSMITTED IN ANY FORM OR BY ANY MEANS, WHETHER ELECTRONIC, MECHANICAL, PHOTOCOPIING, RECORDING OR OTHERS, WITHOUT THE MANUFACTURERS PRIOR AUTHORISATION IN WRITING.</small>				

Rev.

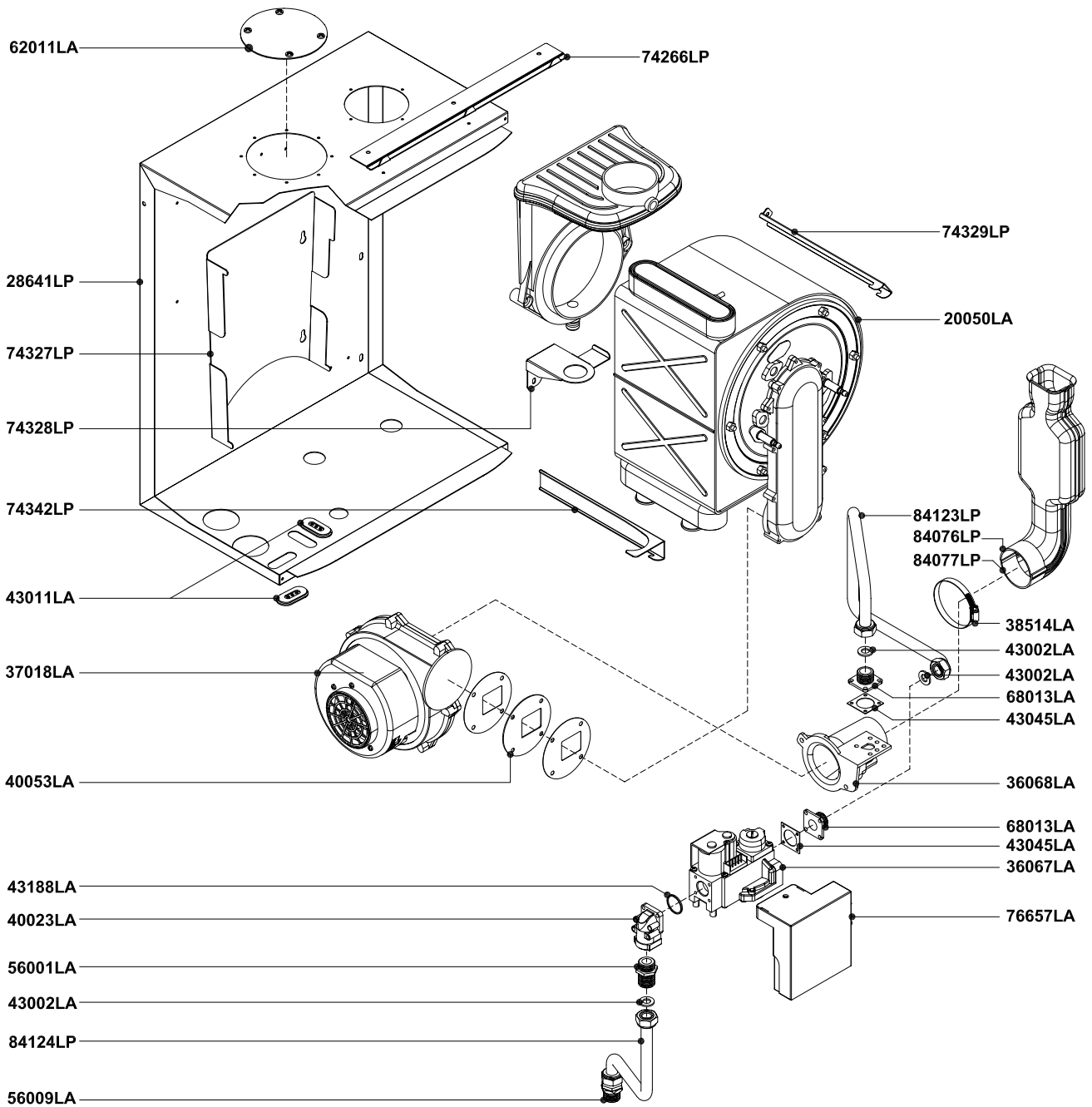
Description

Date



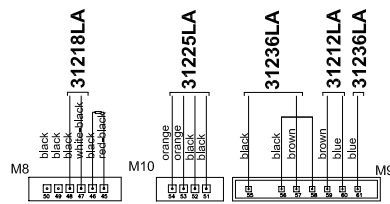
Pos.	Code	Description:	U.M.	Qt.
		Description:	Date: 13.06.05	A991A132B201 methane
		<b>Wall hung Condensing boiler - Spare parts</b>	Scale: --	A991B132B201 L.P.G.
		<b>HYDRAULIC SYSTEM</b>	Department: tecnico	
		Object / model:	Designed by:	heavy oil
		mod. <b>RK 25</b>	Controlled by:	
		Only Heating	Approved by:	Sheet no.: <b>B0452_AE1</b>
 <p>RADIANT BRUCIATORI S.p.A.</p>				
<small>ALL DESCRIPTIONS AND ILLUSTRATIONS CONTAINED IN THIS LEAFLET HAVE BEEN CAREFULLY PREPARED BUT WE RESERVE THE RIGHT TO MAKE CHANGES AND IMPROVEMENTS IN OUR PRODUCTS WHICH MAY AFFECT THE ACCURACY OF THE INFORMATION CONTAINED IN THIS LEAFLET. E + OE ALL RIGHTS RESERVED. NO PART OF THIS DOCUMENT MAY BE REPRODUCED, SAID IN STORAGE SYSTEMS OR TRANSMITTED IN ANY FORM OR BY ANY MEANS, WHETHER ELECTRONIC, MECHANICAL, PHOTOCOPIING, RECORDING OR OTHERS, WITHOUT THE MANUFACTURERS PRIOR AUTHORISATION IN WRITING.</small>				

Rev.	Description	Date
------	-------------	------

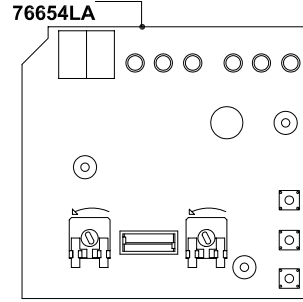


Pos.	Code	Description:	U.M.	Qt.
		Description:		
		<b>Wall hung Condensing boiler - Spare parts</b>		
		<b>THERMAL SYSTEM</b>		
		Object / model:		
		mod. <b>RK 25</b>		
		Only Heating		
		Date: 17.06.05	A991A132B201	methane
		Scale: --	A991B132B201	L.P.G.
		Department: tecnico		
		Designed by:		heavy oil
		Controlled by:		
		Approved by:	Sheet no.:	<b>B0453_AE1</b>
<small>ALL DESCRIPTIONS AND ILLUSTRATIONS CONTAINED IN THIS LEAFLET HAVE BEEN CAREFULLY PREPARED BUT WE RESERVE THE RIGHT TO MAKE CHANGES AND IMPROVEMENTS IN OUR PRODUCTS WHICH MAY AFFECT THE ACCURACY OF THE INFORMATION CONTAINED IN THIS LEAFLET, E + 0E ALL RIGHTS RESERVED. NO PART OF THIS DOCUMENT MAY BE REPRODUCED, SAVED IN STORAGE SYSTEMS OR TRANSMITTED IN ANY FORM OR BY ANY MEANS, WHETHER ELECTRONIC, MECHANICAL, PHOTOCOPIING, RECORDING OR OTHERS, WITHOUT THE MANUFACTURER'S PRIOR AUTHORISATION IN WRITING.</small>				

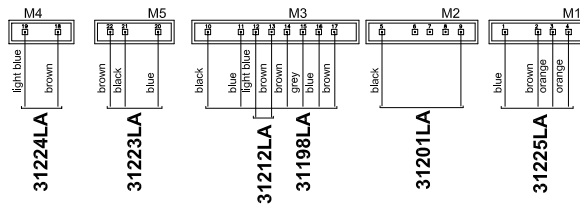
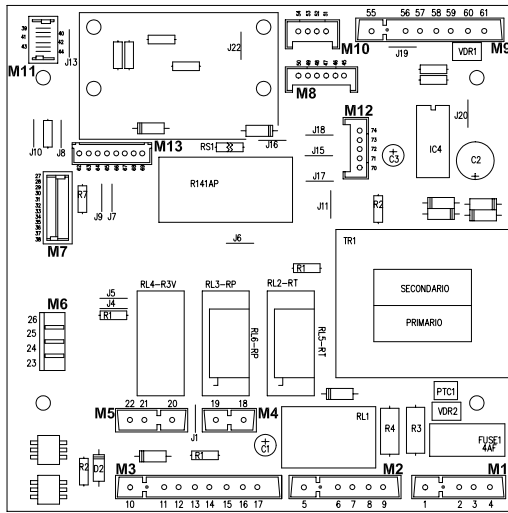




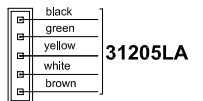
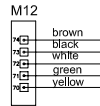
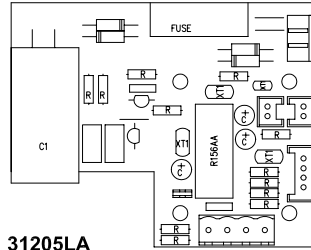
DISPLAY DIGITAL BOARD 2000 SKO6206



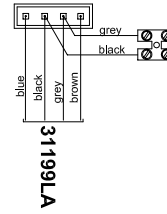
MAIN PRINTED CIRC. BOARD CVI-M SM 20015 COD. 76655LA



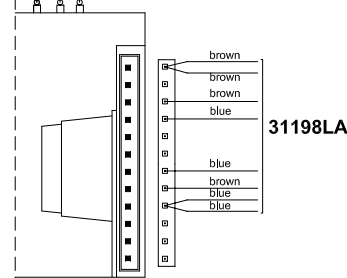
FAN PRINTED CIRCUIT BOARD SK11001 code 76658LA



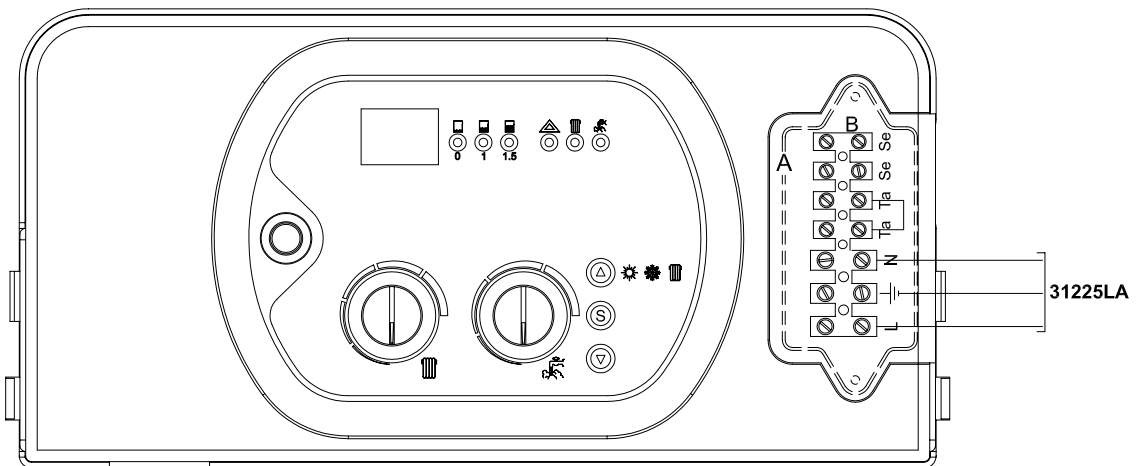
31205LA



31214LA  
31196LA  
31233LA



ELECTRONIC IGNITION BOARD S4565PD2020 code 76657LA



Pos.	Code	Description:	U.M.	Qt.
		Description:		
		<b>Wall hung Condensing boiler - Spare parts</b>		
		<b>ELECTRIC SYSTEM</b>		
		Object / model:		
		mod. <b>RK 25</b>		
		Only Heating		
		Date: 17.06.05	A991A132B201	methane
		Scale: --	A991B132B201	L.P.G.
		Department: tecnico		
		Designed by:		heavy oil
		Controlled by:		
		Approved by:	Sheet no.:	<b>B0454_AE1</b>

ALL DESCRIPTIONS AND ILLUSTRATIONS CONTAINED IN THIS LEAFLET HAVE BEEN CAREFULLY PREPARED BUT WE RESERVE THE RIGHT TO MAKE CHANGES AND IMPROVEMENTS IN OUR PRODUCTS WHICH MAY AFFECT THE ACCURACY OF THE INFORMATION CONTAINED IN THIS LEAFLET, E + OE ALL RIGHTS RESERVED. NO PART OF THIS DOCUMENT MAY BE REPRODUCED, SAVED IN STORAGE SYSTEMS OR TRANSMITTED IN ANY FORM OR BY ANY MEANS, WHETHER ELECTRONIC, MECHANICAL, PHOTOCOPIING, RECORDING OR OTHERS, WITHOUT THE MANUFACTURER'S PRIOR AUTHORIZATION IN WRITING.