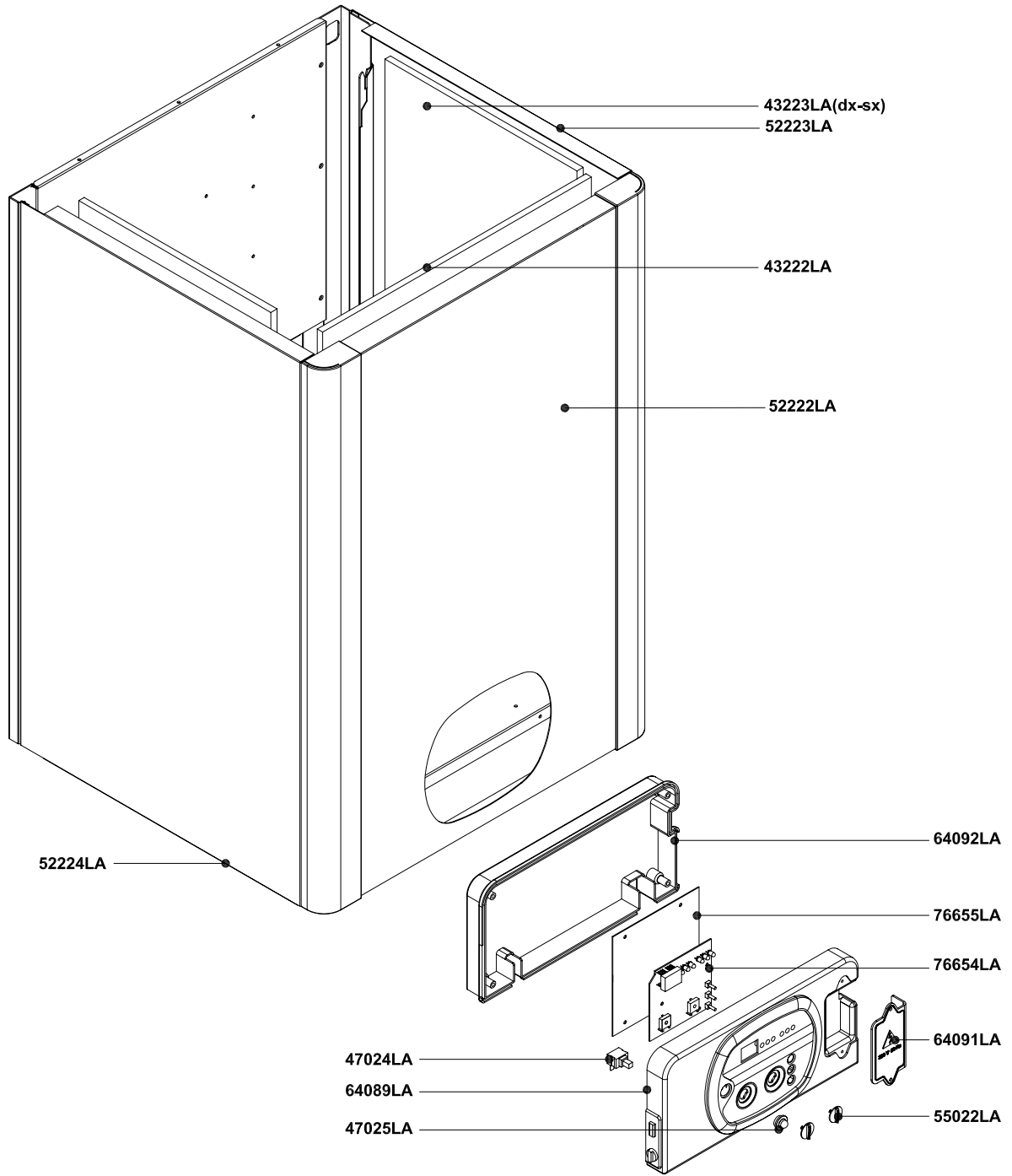


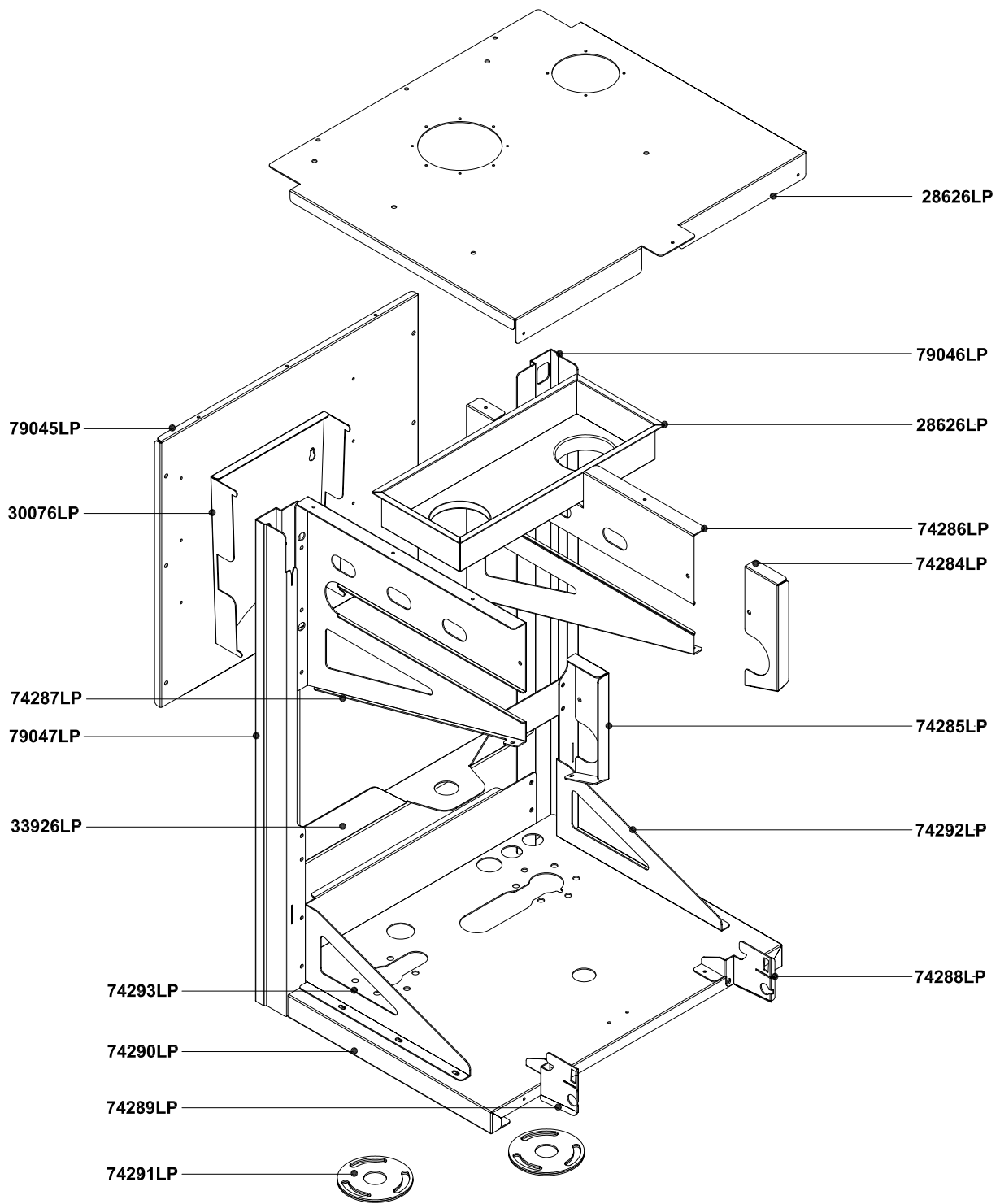
Rev.	Description	Date
------	-------------	------



Pos.	Code	Description:	U.M.	Qt.
		Description: Wall hung Condensing boiler - Spare parts CASING COMPONENTS		
		Object / model: mod. RK 50 Only heating		
		Date: 17.10.04	A991A132A601	methane
		Scale: --	A991B132A601	L.P.G.
		Department: tecnico		
		Designed by:		heavy oil
		Controlled by:		
		Approved by:	Sheet no.:	B0399_AE1
<small>ALL DESCRIPTIONS AND ILLUSTRATIONS CONTAINED IN THIS LEAFLET HAVE BEEN CAREFULLY PREPARED BUT WE RESERVE THE RIGHT TO MAKE CHANGES AND IMPROVEMENTS IN OUR PRODUCTS WHICH MAY AFFECT THE ACCURACY OF THE INFORMATION CONTAINED IN THIS LEAFLET, E + OE ALL RIGHTS RESERVED. NO PART OF THIS DOCUMENT MAY BE REPRODUCED, SAVED IN STORAGE SYSTEMS OR TRANSMITTED IN ANY FORM OR BY ANY MEANS, WHETHER ELECTRONIC, MECHANICAL, PHOTOCOPIING, RECORDING OR OTHERS, WITHOUT THE MANUFACTURERS PRIOR AUTHORISATION IN WRITING.</small>				



Rev.	Description	Date
------	-------------	------



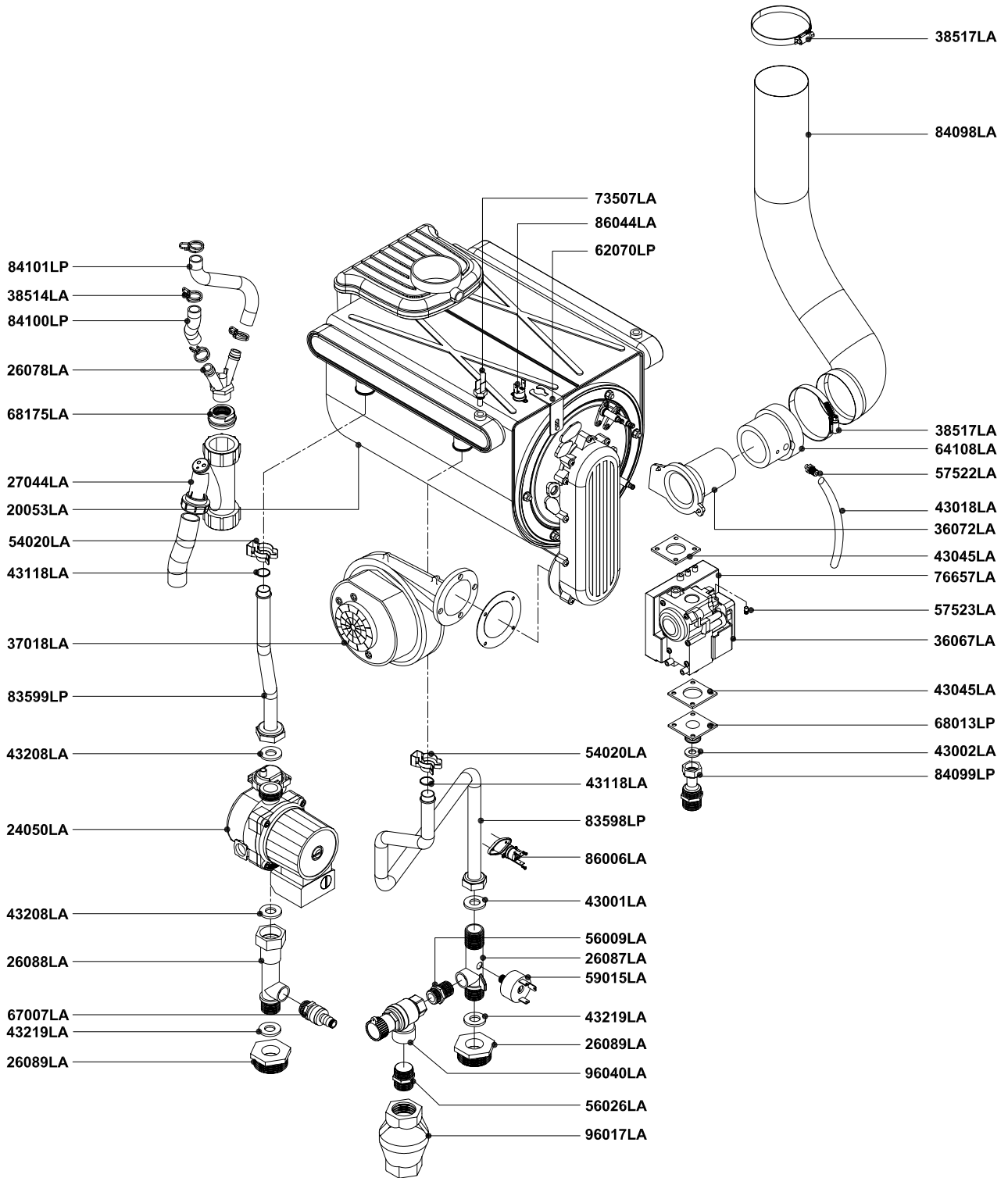
Pos.	Code	Description:	U.M.	Qt.
		Description: Wall hung Condensing boiler - Spare parts FRAME COMPONENTS		
		Object / model: mod. RK 50 Only heating		
		Date: 17.10.04	A991A132A601	methane
		Scale: --	A991B132A601	L.P.G.
		Department: tecnico		
		Designed by:		heavy oil
		Controlled by:		
		Approved by:	Sheet no.:	B0400_AE1
<small>ALL DESCRIPTIONS AND ILLUSTRATIONS CONTAINED IN THIS LEAFLET HAVE BEEN CAREFULLY PREPARED BUT WE RESERVE THE RIGHT TO MAKE CHANGES AND IMPROVEMENTS IN OUR PRODUCTS WHICH MAY AFFECT THE ACCURACY OF THE INFORMATION CONTAINED IN THIS LEAFLET. E + OE ALL RIGHTS RESERVED. NO PART OF THIS DOCUMENT MAY BE REPRODUCED, SAVED IN STORAGE SYSTEMS OR TRANSMITTED IN ANY FORM OR BY ANY MEANS, WHETHER ELECTRONIC, MECHANICAL, PHOTOCOPIING, RECORDING OR OTHERS, WITHOUT THE MANUFACTURERS PRIOR AUTHORISATION IN WRITING.</small>				



RADIANT BRUCIATORI S.p.A.

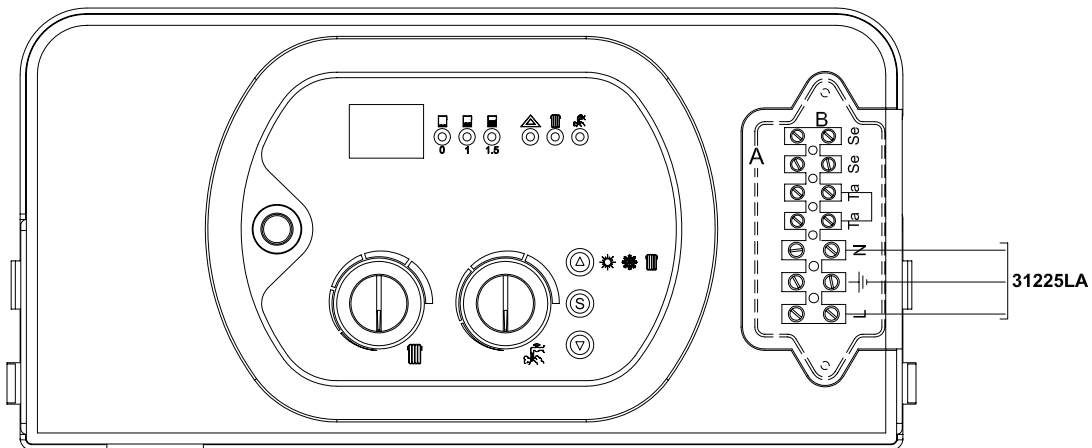
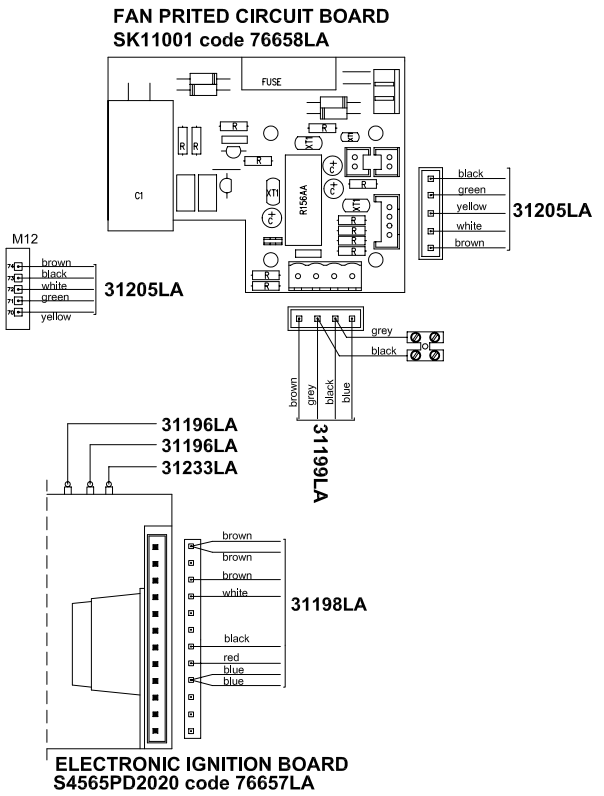
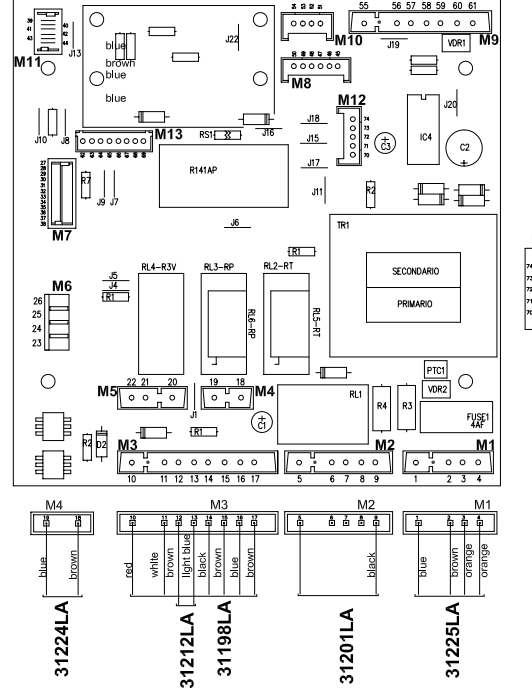
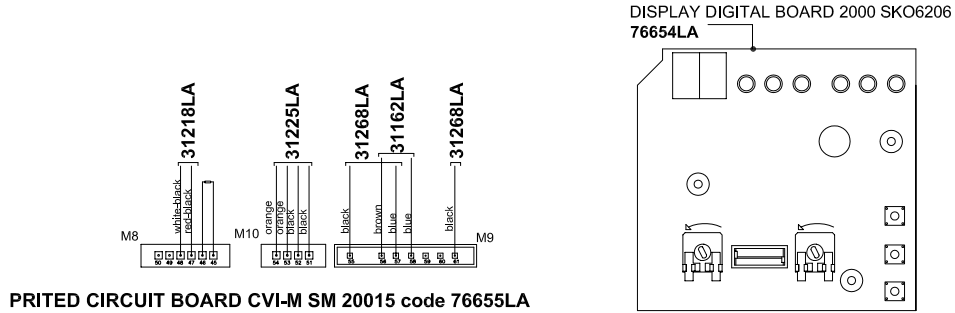
Rev. Description

Date



Pos.	Code	Description:	U.M.	Qt.
		Description:	Date: 17.10.04	A991A132A601 methane
		Wall hung Condensing boiler - Spare parts	Scale: --	A991B132A601 L.P.G.
		HYDRAULIC + THERMAL SYSTEM	Department: tecnico	
		Object / model:	Designed by:	heavy oil
		mod. RK 50	Controlled by:	
		Only heating	Approved by:	Sheet no.: B0401_AE1
<small>ALL DESCRIPTIONS AND ILLUSTRATIONS CONTAINED IN THIS LEAFLET HAVE BEEN CAREFULLY PREPARED BUT WE RESERVE THE RIGHT TO MAKE CHANGES AND IMPROVEMENTS IN OUR PRODUCTS WHICH MAY AFFECT THE ACCURACY OF THE INFORMATION CONTAINED IN THIS LEAFLET, E + OE ALL RIGHTS RESERVED. NO PART OF THIS DOCUMENT MAY BE REPRODUCED, SAVED IN STORAGE SYSTEMS OR TRANSMITTED IN ANY FORM OR BY ANY MEANS, WHETHER ELECTRONIC, MECHANICAL, PHOTOCOPIING, RECORDING OR OTHERS, WITHOUT THE MANUFACTURERS PRIOR AUTHORISATION IN WRITING.</small>				





Pos.	Code	Description:	U.M.	Qt.
		Description:		
		Wall hung Condensing boiler - Spare parts		
		ELECTRIC SYSTEM		
		Object / model:		
		mod. RK 50		
		Only heating		
		Date: 17.10.04		
		Scale: ---		
		Department: tecnico		
		Designed by:		
		Controlled by:		
		Approved by:		
		Code no.:	A991A132A601	methane
			A991B132A601	L.P.G.
				heavy oil
		Sheet no.:	B0402_AE1	