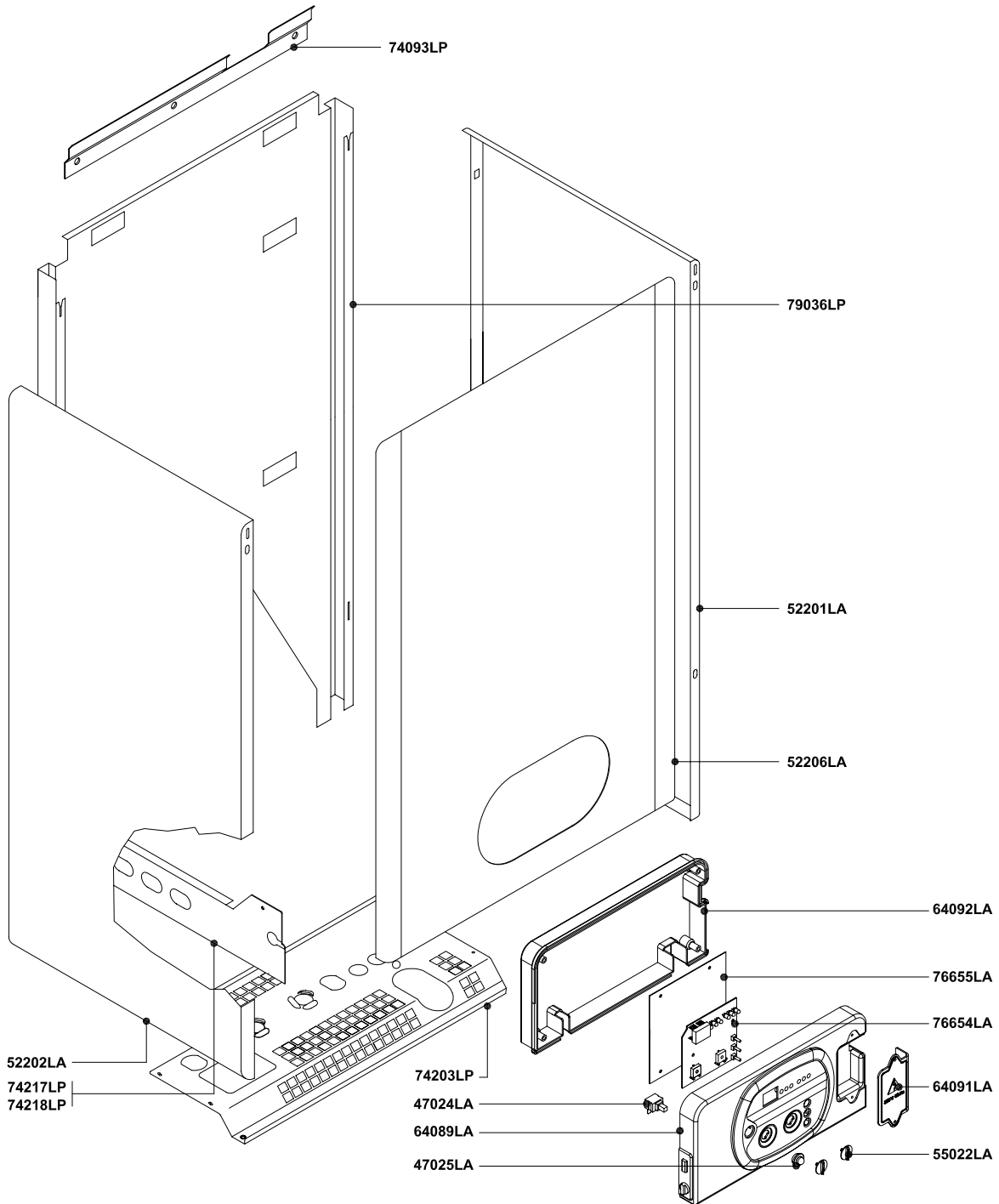


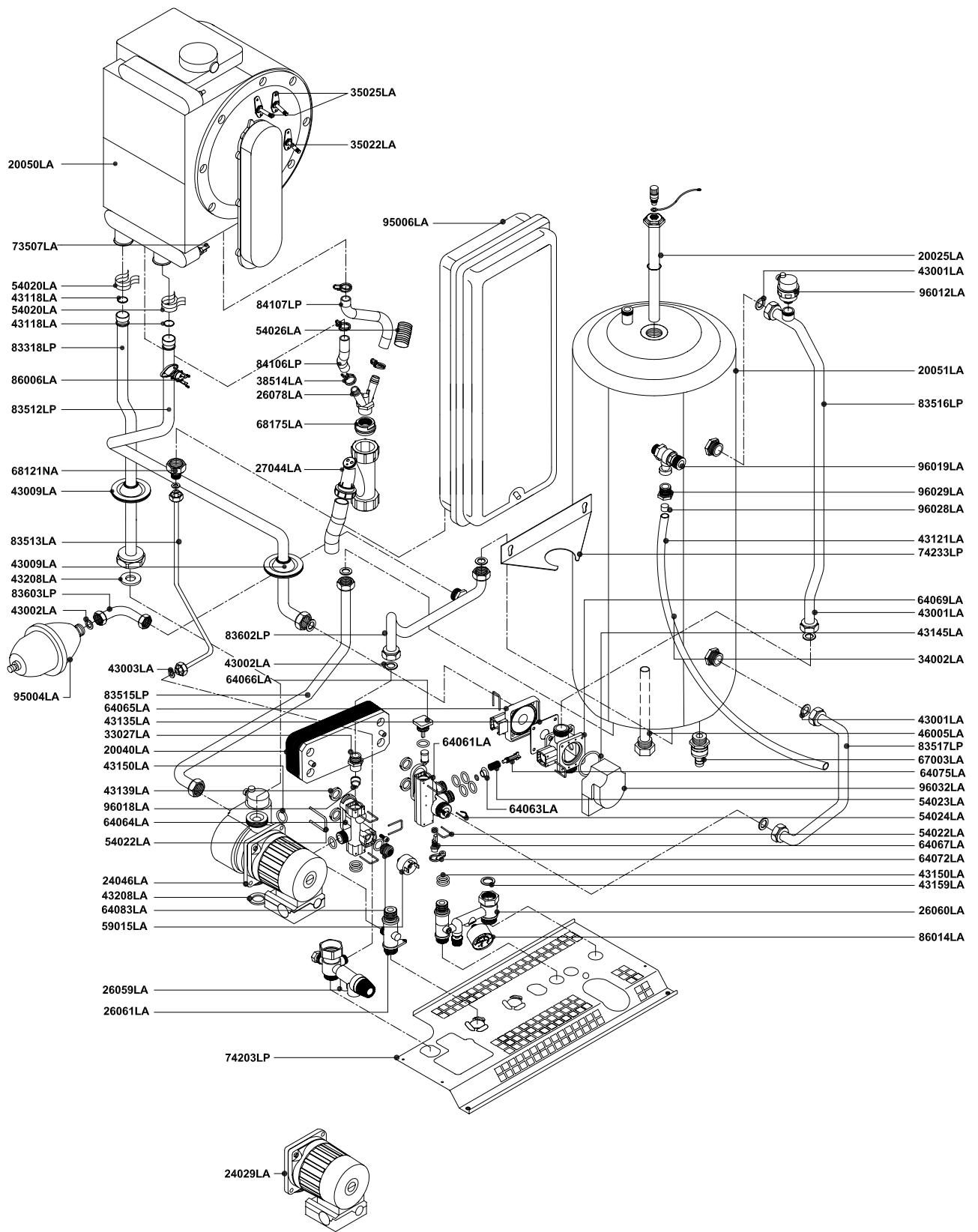
Rev.	Description	Date
------	-------------	------




Pos.	Code	Description:		U.M.	Qt.
		Description:	Date: 15.10.2003	A991A432A231	methane
		Wall hung boiler - with D.H.W. storage cylinder spare parts	Scale: ---	A991B432A231	L.P.G.
		FRAME + CASING COMPONENTS	Department: tecnico		
		Object / model:	Designed by:		heavy oil
		mod. RKA 25	Controlled by:		
		Open combustion chamber - electronic ignition	Approved by:	Sheet no.:	B0271_AE1
<small>ALL DESCRIPTIONS AND ILLUSTRATIONS CONTAINED IN THIS LEAFLET HAVE BEEN CAREFULLY PREPARED BUT WE RESERVE THE RIGHT TO MAKE CHANGES AND IMPROVEMENTS IN OUR PRODUCTS WHICH MAY AFFECT THE ACCURACY OF THE INFORMATION CONTAINED IN THIS LEAFLET, E + OE ALL RIGHTS RESERVED. NO PART OF THIS DOCUMENT MAY BE REPRODUCED, SAVED IN STORAGE SYSTEMS OR TRANSMITTED IN ANY FORM OR BY ANY MEANS, WHETHER ELECTRONIC, MECHANICAL, PHOTOCOPIING, RECORDING OR OTHERS, WITHOUT THE MANUFACTURER'S PRIOR AUTHORISATION IN WRITING.</small>					



Rev.	Description	Date
------	-------------	------



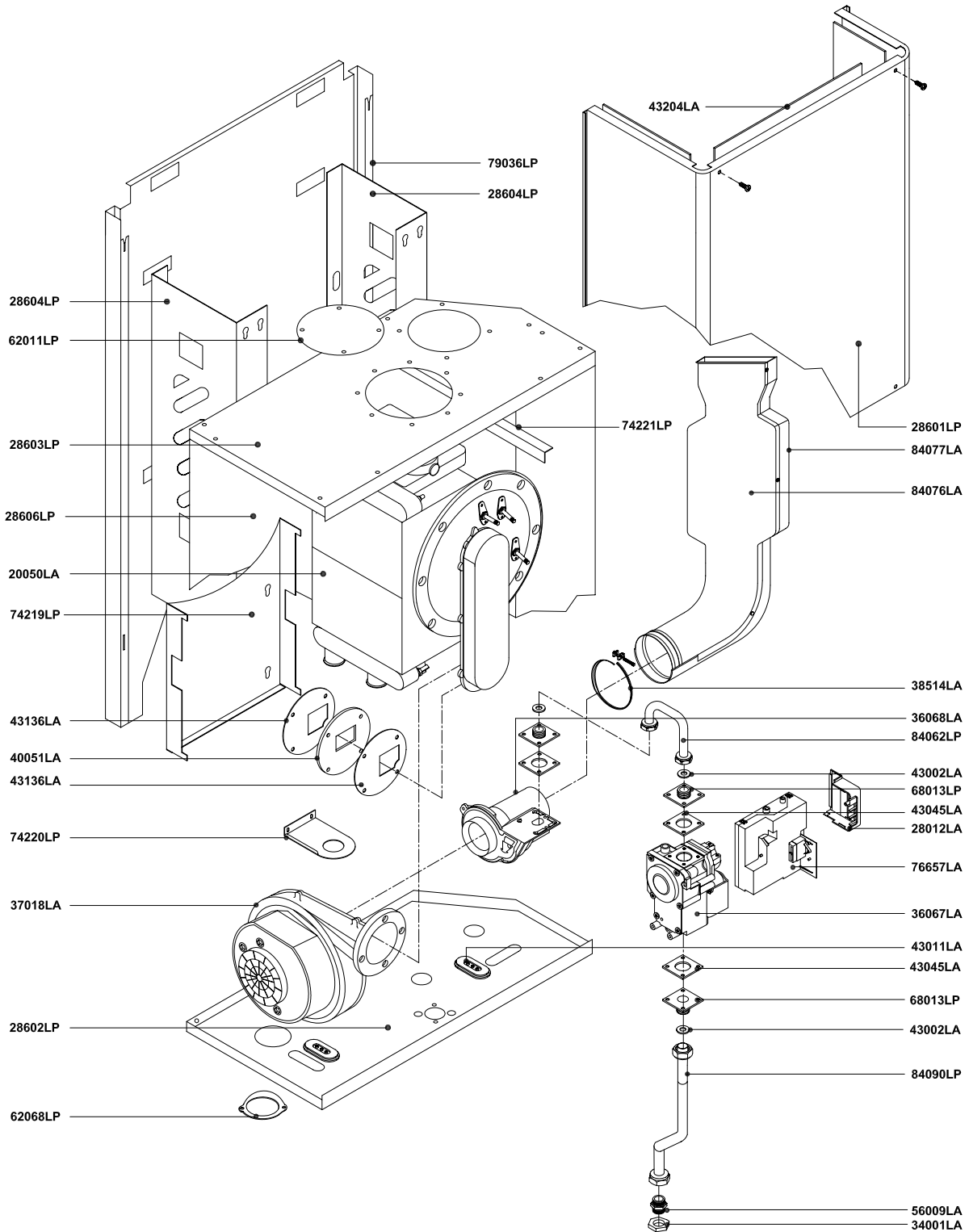
 RADIANT BRUCIATORI S.p.A.	Pos.	Code	Description:	Date: 03.11.2004	U.M.	Qt.
	Description:			Scale: --	A991A432A231	methane
	Wall hung boiler - with D.H.W. storage cylinder spare parts			Department: tecnico	A991B432A231	L.P.G.
	HYDRAULIC SYSTEM			Designed by:		
	Object / model:			Controlled by:		heavy oil
mod. RKA 25			Approved by:	Sheet no.:	B0272_AE1	
Open combustion chamber - electronic ignition						

ALL DESCRIPTIONS AND ILLUSTRATIONS CONTAINED IN THIS LEAFLET HAVE BEEN CAREFULLY PREPARED BUT WE RESERVE THE RIGHT TO MAKE CHANGES AND IMPROVEMENTS IN OUR PRODUCTS WHICH MAY AFFECT THE ACCURACY OF THE INFORMATION CONTAINED IN THIS LEAFLET, E + OE ALL RIGHTS RESERVED. NO PART OF THIS DOCUMENT MAY BE REPRODUCED, SAID IN STORAGE SYSTEMS OR TRANSMITTED IN ANY FORM OR BY ANY MEANS, WHETHER ELECTRONIC, MECHANICAL, PHOTOCOPIING, RECORDING OR OTHERS, WITHOUT THE MANUFACTURERS PRIOR AUTHORISATION IN WRITING.

Rev.

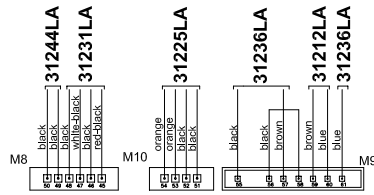
Description

Date

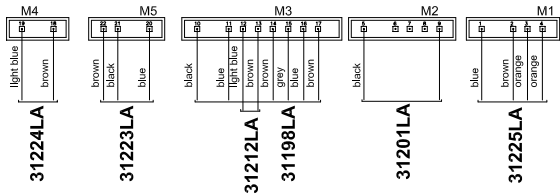
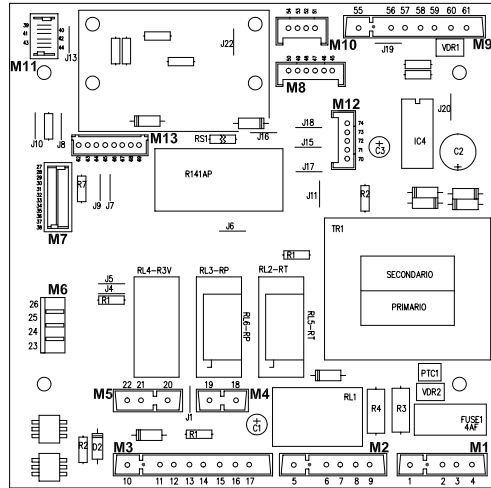


Pos.	Code	Description:	U.M.	Qt.
		Description:		
		Wall hung boiler - with D.H.W. storage cylinder spare parts		
		THERMAL SYSTEM		
		Object / model:		
		mod. RKA 25		
		Open combustion chamber - electronic ignition		
		Date: 15.10.2003	A991A432A231	methane
		Scale: --	A991B432A231	L.P.G.
		Department: tecnico		
		Designed by:		heavy oil
		Controlled by:		
		Approved by:	Sheet no.:	B0273_AE1

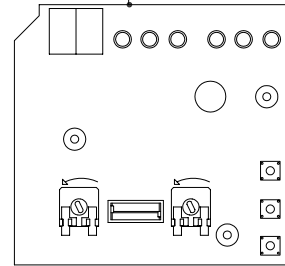
ALL DESCRIPTIONS AND ILLUSTRATIONS CONTAINED IN THIS LEAFLET HAVE BEEN CAREFULLY PREPARED BUT WE RESERVE THE RIGHT TO MAKE CHANGES AND IMPROVEMENTS IN OUR PRODUCTS WHICH MAY AFFECT THE ACCURACY OF THE INFORMATION CONTAINED IN THIS LEAFLET, E + OE ALL RIGHTS RESERVED. NO PART OF THIS DOCUMENT MAY BE REPRODUCED, SAVED IN STORAGE SYSTEMS OR TRANSMITTED IN ANY FORM OR BY ANY MEANS, WHETHER ELECTRONIC, MECHANICAL, PHOTOCOPIING, RECORDING OR OTHERS, WITHOUT THE MANUFACTURERS PRIOR AUTHORIZATION IN WRITING.



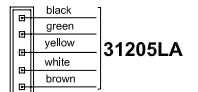
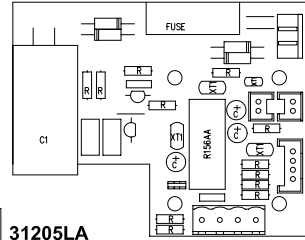
MAIN PRINTED CIRC. BOARD CVI-M SM 20015 COD. 76655LA



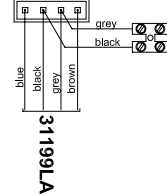
DISPLAY DIGITAL BOARD 2000 SKO6206 76654LA



FAN PRINTED CIRCUIT BOARD SK11001 code 76658LA

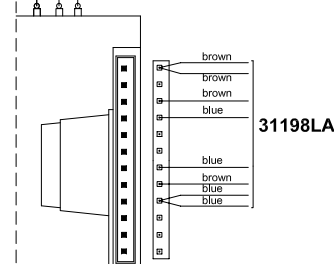


31205LA



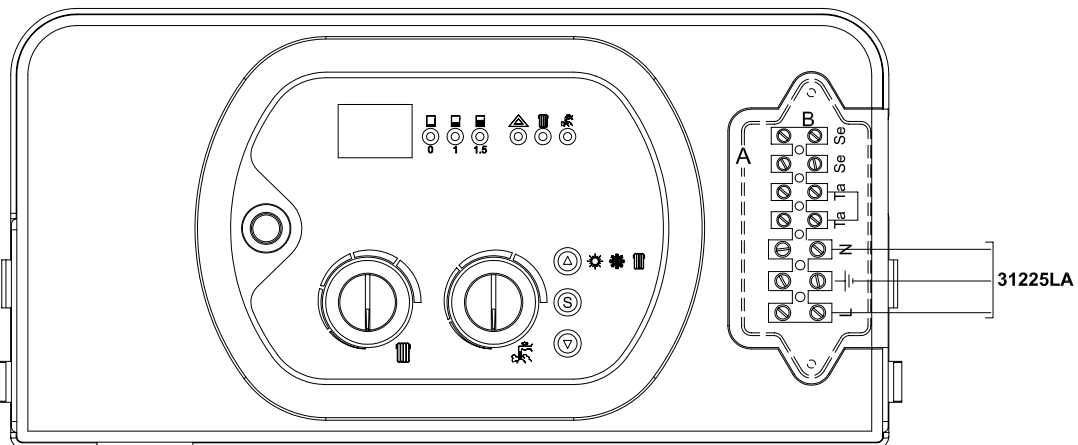
31191LA

31196LA
31196LA
31197LA



31198LA

ELECTRONIC IGNITION BOARD S4565PD2020 code 76657LA



Pos.	Code	Description:	U.M.	Qt.
		Description: Wall hung boiler - with D.H.W. storage cylinder spare parts ELECTRIC SYSTEM		
		Object / model: mod. RKA 25 Open combustion chamber - electronic ignition		
		Date: 15.10.2003	A991A432A231	methane
		Scale: --	A991B432A231	L.P.G.
		Department: tecnico		
		Designed by:		heavy oil
		Controlled by:		
		Approved by:	Sheet no.:	B0274_AE1

ALL DESCRIPTIONS AND ILLUSTRATIONS CONTAINED IN THIS LEAFLET HAVE BEEN CAREFULLY PREPARED BUT WE RESERVE THE RIGHT TO MAKE CHANGES AND IMPROVEMENTS IN OUR PRODUCTS WHICH MAY AFFECT THE ACCURACY OF THE INFORMATION CONTAINED IN THIS LEAFLET, E + OE ALL RIGHTS RESERVED. NO PART OF THIS DOCUMENT MAY BE REPRODUCED, STORED IN STORAGE SYSTEMS OR TRANSMITTED IN ANY FORM OR BY ANY MEANS, WHETHER ELECTRONIC, MECHANICAL, PHOTOCOPIING, RECORDING OR OTHERWISE, WITHOUT THE MANUFACTURER'S PRIOR AUTHORIZATION IN WRITING.