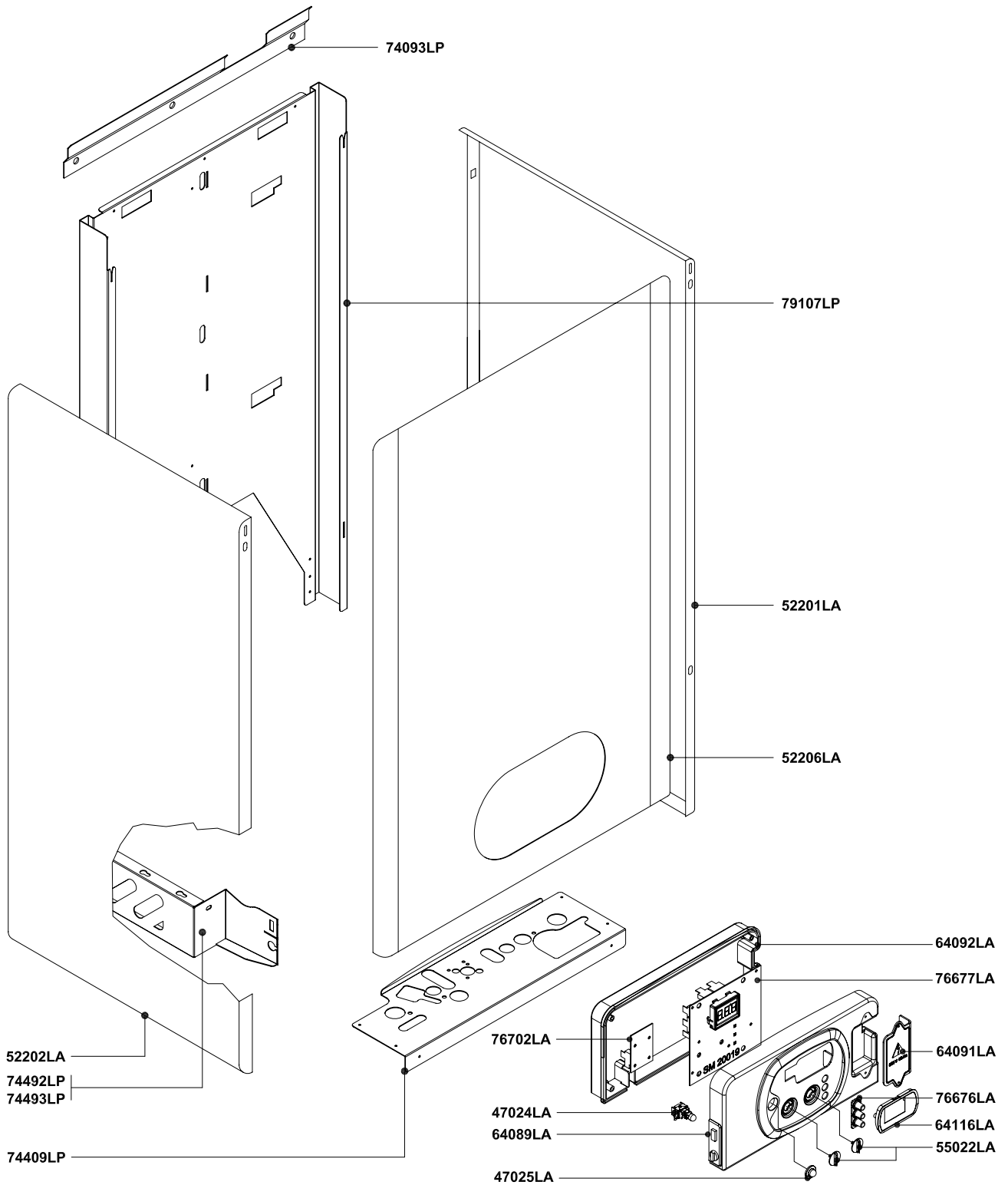


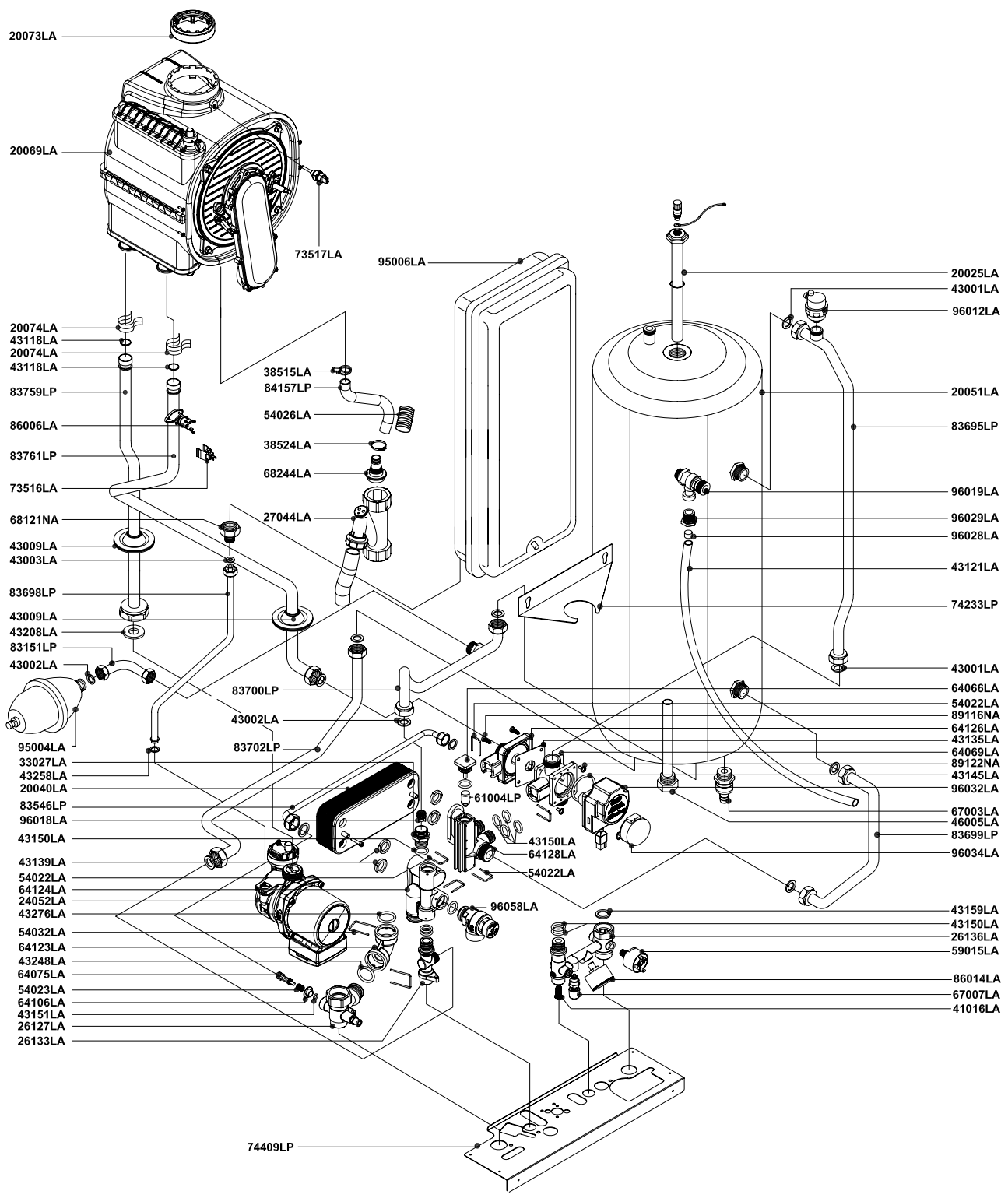
Rev.	Description	Date
------	-------------	------



Pos.	Code	Description:	U.M.	Qt.
		Description:		
		Wall hung boiler - with D.H.W. storage cylinder spare parts		
		FRAME + CASING COMPONENTS		
		Object / model:		
		mod. RKA 25		
		<i>room sealed - electronic ignition</i>		
		Date: 04.07.2007	A991A432B231	methane
		Scale: —	A991B432B231	L.P.G.
		Department: tecnico		
		Designed by:		heavy oil
		Controlled by:		
		Approved by:	Sheet no.:	B0663_AE1

ALL DESCRIPTIONS AND ILLUSTRATIONS CONTAINED IN THIS LEAFLET HAVE BEEN CAREFULLY PREPARED BUT WE RESERVE THE RIGHT TO MAKE CHANGES AND IMPROVEMENTS IN OUR PRODUCTS WHICH MAY AFFECT THE ACCURACY OF THE INFORMATION CONTAINED IN THIS LEAFLET, E + OE ALL RIGHTS RESERVED. NO PART OF THIS DOCUMENT MAY BE REPRODUCED, STORED IN STORAGE SYSTEMS OR TRANSMITTED IN ANY FORM OR BY ANY MEANS, WHETHER ELECTRONIC, MECHANICAL, PHOTOCOPIING, RECORDING OR OTHERWISE, WITHOUT THE MANUFACTURER'S PRIOR AUTHORISATION IN WRITING.

Rev.	Description	Date
------	-------------	------




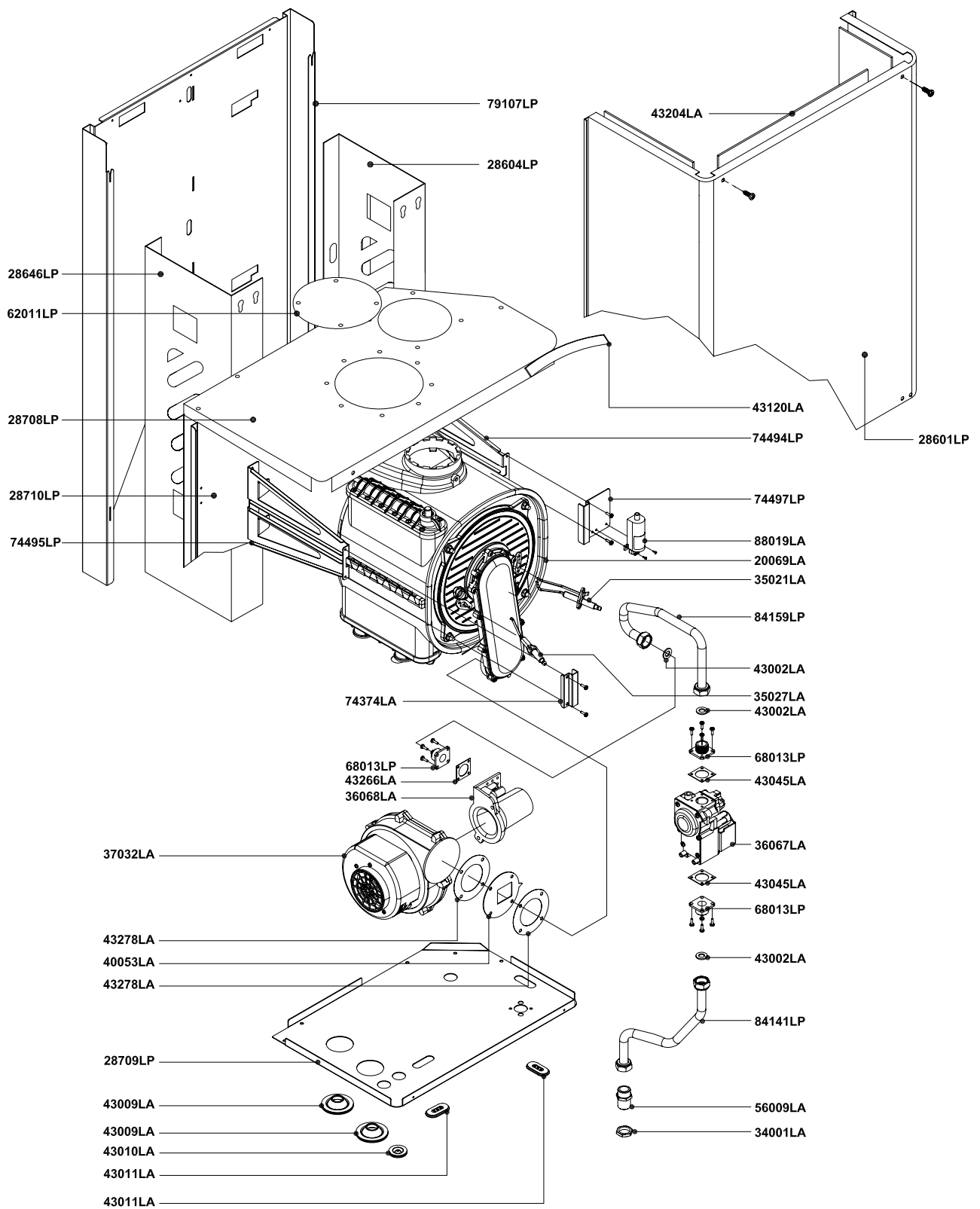
- 20073LA
- 20069LA
- 20074LA
- 43118LA
- 20074LA
- 43118LA
- 83759LP
- 86006LA
- 83761LP
- 73516LA
- 68121NA
- 43009LA
- 43003LA
- 83698LP
- 43009LA
- 43208LA
- 83151LP
- 43002LA
- 95004LA
- 33027LA
- 43258LA
- 20040LA
- 83546LP
- 96018LA
- 43150LA
- 43139LA
- 54022LA
- 64124LA
- 24052LA
- 43276LA
- 54032LA
- 64123LA
- 43248LA
- 64075LA
- 54023LA
- 64106LA
- 43151LA
- 26127LA
- 26133LA

- 38515LA
- 84157LP
- 54026LA
- 38524LA
- 68244LA
- 27044LA

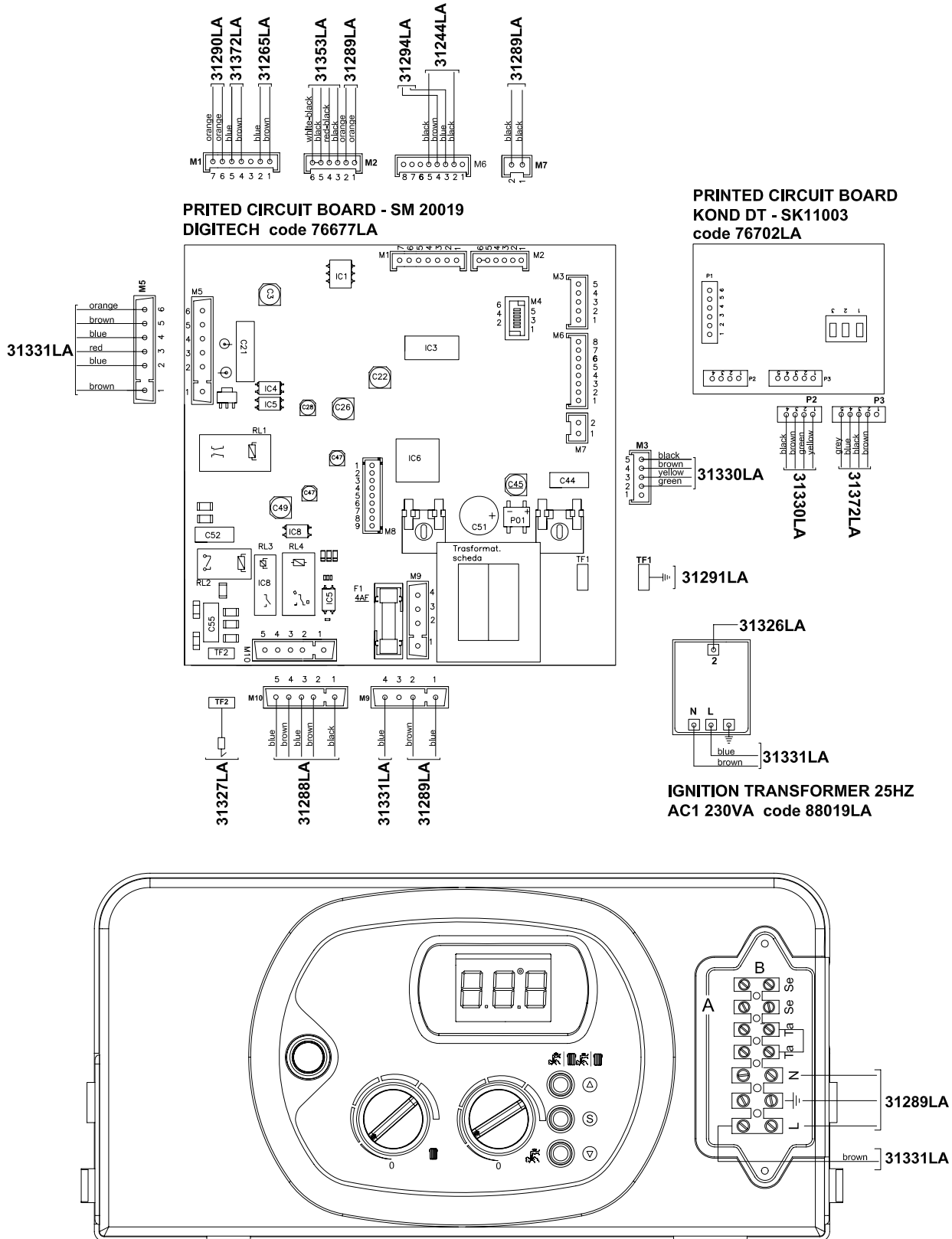
- 20025LA
- 43001LA
- 96012LA
- 20051LA
- 83695LP
- 96019LA
- 96029LA
- 96028LA
- 43121LA
- 74233LP
- 43001LA
- 64066LA
- 54022LA
- 89116NA
- 64126LA
- 43135LA
- 64069LA
- 89122NA
- 43145LA
- 96032LA
- 67003LA
- 46005LA
- 83699LP
- 96034LA
- 43159LA
- 43150LA
- 26136LA
- 59015LA
- 86014LA
- 67007LA
- 41016LA

74409LP

 RADIANT BRUCIATORI S.p.A.	Pos.	Code	Description:	Date:	04.07.2007	U.M.	Qt.
	Description:			Scale:	—	A991A432B231	methane
	Object / model:			Department:	tecnico	A991B432B231	L.P.G.
	mod. RKA 25			Designed by:			heavy oil
	room sealed - electronic ignition			Controlled by:			
			Approved by:		Sheet no.:	B0664_AE1	
<small>ALL DESCRIPTIONS AND ILLUSTRATIONS CONTAINED IN THIS LEAFLET HAVE BEEN CAREFULLY PREPARED BUT WE RESERVE THE RIGHT TO MAKE CHANGES AND IMPROVEMENTS IN OUR PRODUCTS WHICH MAY AFFECT THE ACCURACY OF THE INFORMATION CONTAINED IN THIS LEAFLET, E + OE ALL RIGHTS RESERVED. NO PART OF THIS DOCUMENT MAY BE REPRODUCED, STORED IN STORAGE SYSTEMS OR TRANSMITTED IN ANY FORM OR BY ANY MEANS, WHETHER ELECTRONIC, MECHANICAL, PHOTOCOPIING, RECORDING OR OTHERS, WITHOUT THE MANUFACTURER'S PRIOR AUTHORISATION IN WRITING.</small>							



Pos.	Code	Description:	U.M.	Qt.
		Date: 04.07.2007	A991A432B231	methane
		Scale: —	A991B432B231	L.P.G.
		Department: tecnico		
		Designed by:		heavy oil
		Controlled by:		
		Approved by:	Sheet no.:	B0665_AE1
RADIANT <small>RADIANT BRUCIATORI S.p.A.</small>				
Description: Wall hung boiler - with D.H.W. storage cylinder spare parts THERMAL SYSTEM Object / model: mod. RKA 25 room sealed - electronic ignition				
<small>ALL DESCRIPTIONS AND ILLUSTRATIONS CONTAINED IN THIS LEAFLET HAVE BEEN CAREFULLY PREPARED BUT WE RESERVE THE RIGHT TO MAKE CHANGES AND IMPROVEMENTS IN OUR PRODUCTS WHICH MAY AFFECT THE ACCURACY OF THE INFORMATION CONTAINED IN THIS LEAFLET, E + OE ALL RIGHTS RESERVED. NO PART OF THIS DOCUMENT MAY BE REPRODUCED, SAVED IN STORAGE SYSTEMS OR TRANSMITTED IN ANY FORM OR BY ANY MEANS, WHETHER ELECTRONIC, MECHANICAL, PHOTOCOPIING, RECORDING OR OTHERS, WITHOUT THE MANUFACTURER'S PRIOR AUTHORIZATION IN WRITING.</small>				



Pos.	Code	Description:	U.M.	Qt.
		Description: Wall hung boiler - with D.H.W. storage cylinder spare parts ELECTRIC SYSTEM		
		Object / model: mod. RKA 25 <i>room sealed - electronic ignition</i>		
		Date: 04.07.2007	A991A432B231	methane
		Scale: —	A991B432B231	L.P.G.
		Department: tecnico		
		Designed by:		heavy oil
		Controlled by:		
		Approved by:	Sheet no.:	B0666_AE1

ALL DESCRIPTIONS AND ILLUSTRATIONS CONTAINED IN THIS LEAFLET HAVE BEEN CAREFULLY PREPARED BUT WE RESERVE THE RIGHT TO MAKE CHANGES AND IMPROVEMENTS IN OUR PRODUCTS WHICH MAY AFFECT THE ACCURACY OF THE INFORMATION CONTAINED IN THIS LEAFLET, E + OE ALL RIGHTS RESERVED. NO PART OF THIS DOCUMENT MAY BE REPRODUCED, STORED IN RETRIEVAL SYSTEMS OR TRANSMITTED IN ANY FORM OR BY ANY MEANS, WHETHER ELECTRONIC, MECHANICAL, PHOTOCOPIING, RECORDING OR OTHERWISE, WITHOUT THE MANUFACTURER'S PRIOR AUTHORIZATION IN WRITING.