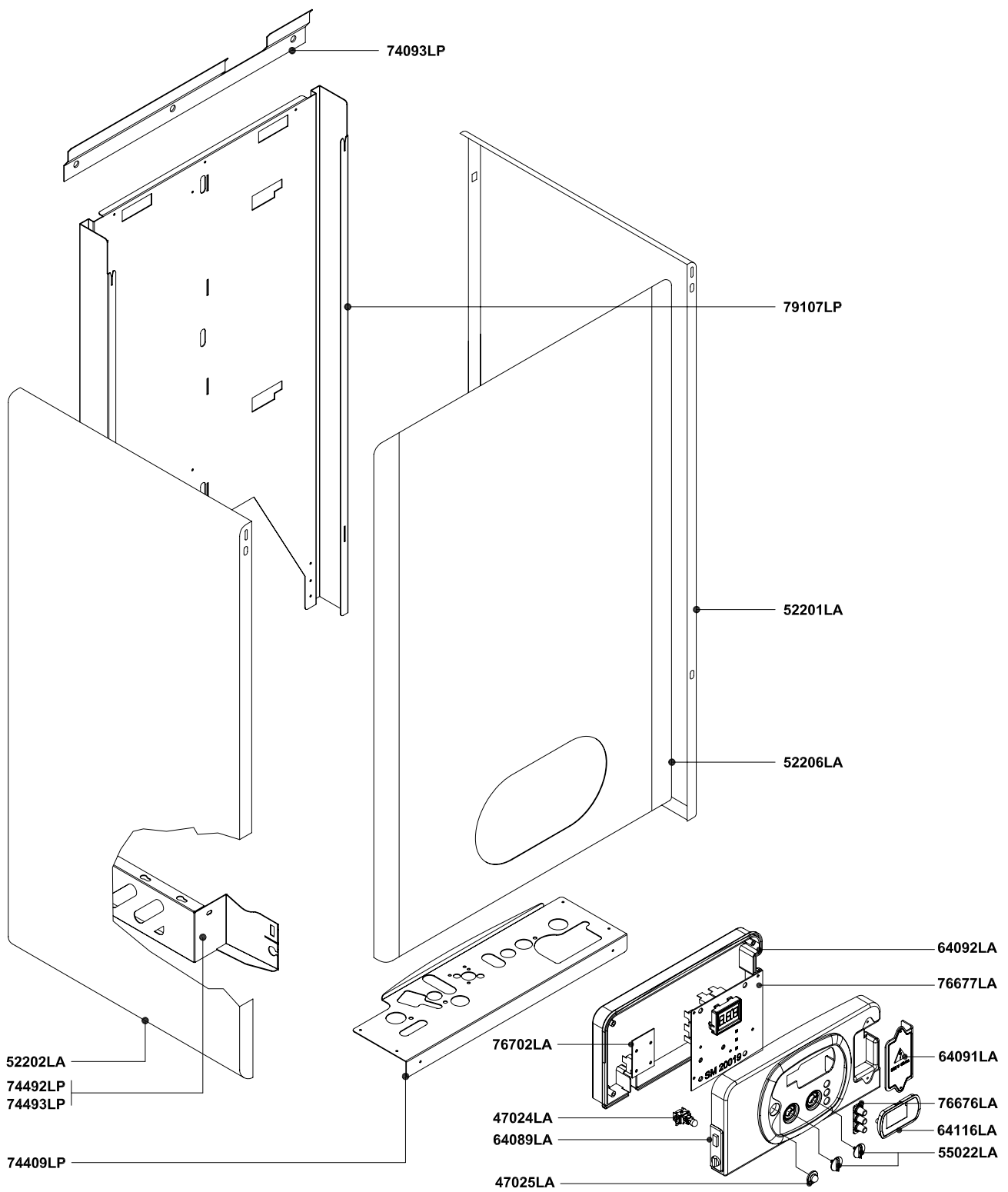

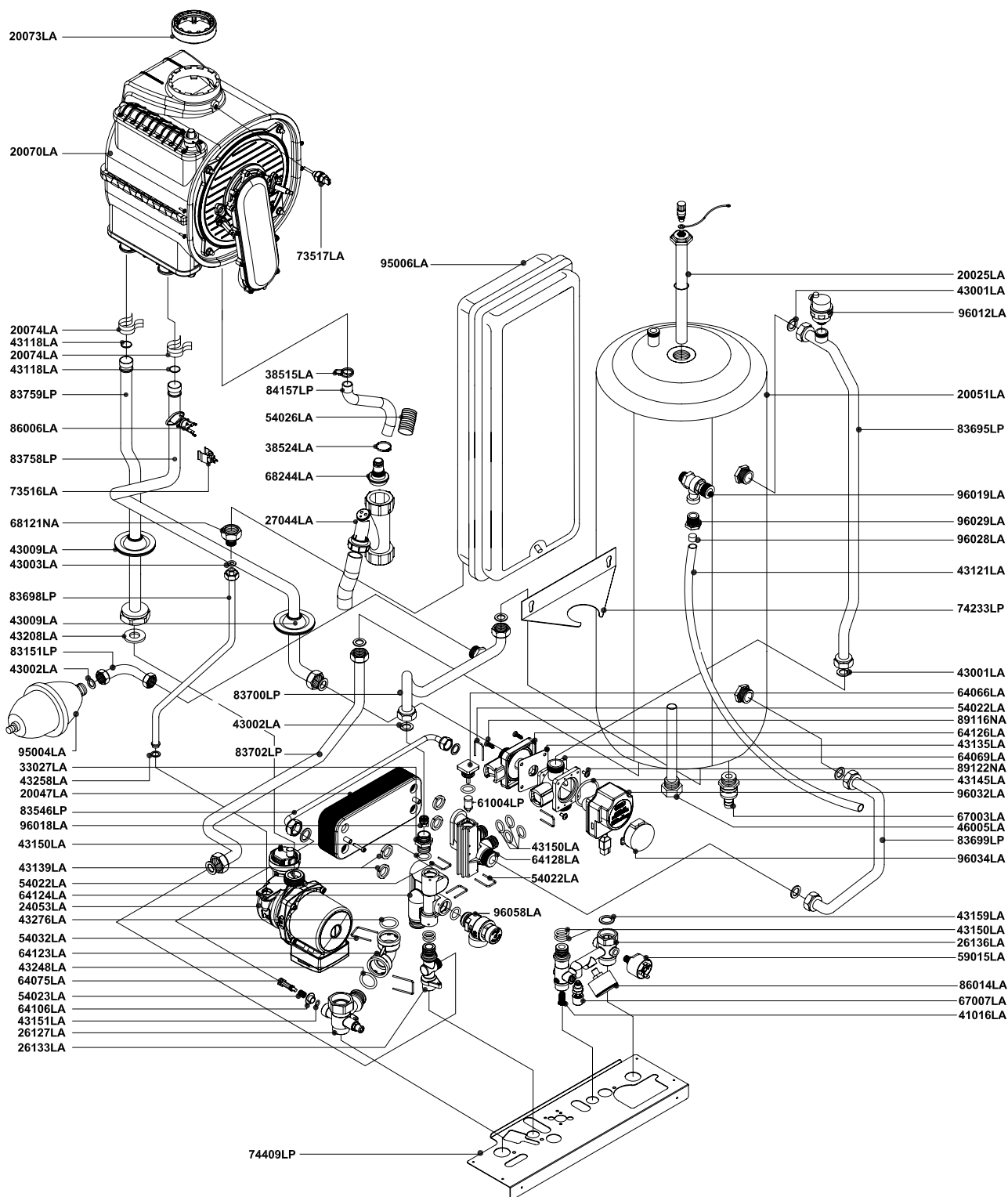


Rev.	Description	Date
------	-------------	------



Pos.	Code	Description:	U.M.	Qt.
		Date: 05.07.2007	A991A432A531	methane
		Scale: —	A991B432A531	L.P.G.
		Department: tecnico		
		Designed by:		heavy oil
		Controlled by:		
		Approved by:	Sheet no.:	<b>B0667_AE1</b>
 <b>RADIANT BRUCIATORI S.p.A.</b> Description: <b>Wall hung boiler - with D.H.W. storage cylinder spare parts</b> <b>FRAME + CASING COMPONENTS</b> Object / model: <b>mod. RKA 34</b> <b>room sealed - electronic ignition</b>				
<small>ALL DESCRIPTIONS AND ILLUSTRATIONS CONTAINED IN THIS LEAFLET HAVE BEEN CAREFULLY PREPARED BUT WE RESERVE THE RIGHT TO MAKE CHANGES AND IMPROVEMENTS IN OUR PRODUCTS WHICH MAY AFFECT THE ACCURACY OF THE INFORMATION CONTAINED IN THIS LEAFLET, E + OE ALL RIGHTS RESERVED. NO PART OF THIS DOCUMENT MAY BE REPRODUCED, STORED IN STORAGE SYSTEMS OR TRANSMITTED IN ANY FORM OR BY ANY MEANS, WHETHER ELECTRONIC, MECHANICAL, PHOTOCOPIING, RECORDING OR OTHERS, WITHOUT THE MANUFACTURER'S PRIOR AUTHORISATION IN WRITING.</small>				



- 20073LA
- 20070LA
- 20074LA
- 43118LA
- 20074LA
- 43118LA
- 83759LP
- 86006LA
- 83758LP
- 73516LA
- 68121NA
- 43009LA
- 43003LA
- 83698LP
- 43009LA
- 43208LA
- 83151LP
- 43002LA
- 95004LA
- 33027LA
- 43258LA
- 20047LA
- 83546LP
- 96018LA
- 43150LA
- 43139LA
- 54022LA
- 64124LA
- 24053LA
- 43276LA
- 54032LA
- 64123LA
- 43248LA
- 64075LA
- 54023LA
- 64106LA
- 43151LA
- 26127LA
- 26133LA

- 38515LA
- 84157LP
- 54026LA
- 38524LA
- 68244LA
- 27044LA

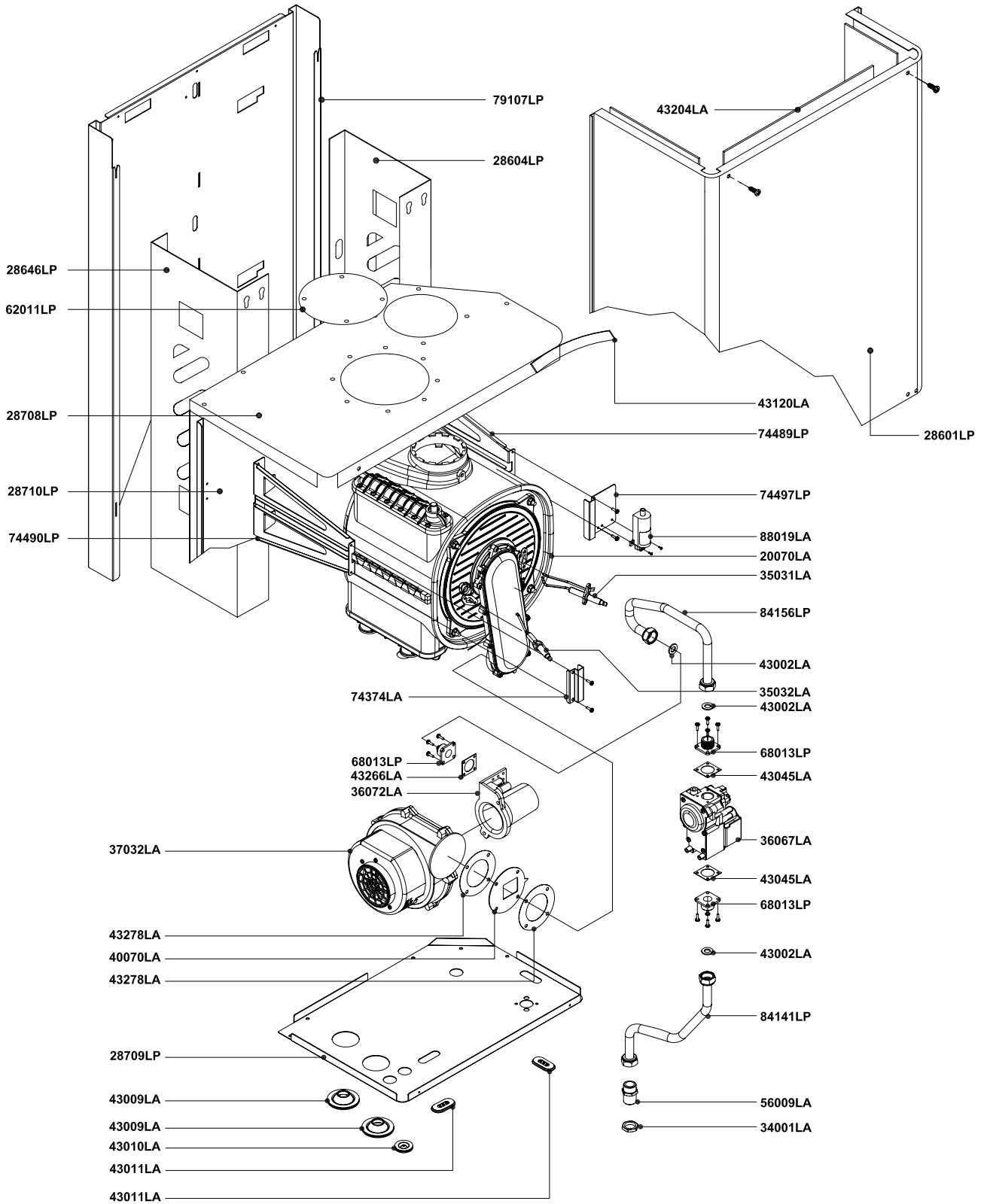
- 61004LP
- 43150LA
- 64128LA
- 54022LA
- 96058LA

- 20025LA
- 43001LA
- 96012LA
- 20051LA
- 83695LP
- 96019LA
- 96029LA
- 96028LA
- 43121LA
- 74233LP
- 43001LA
- 64066LA
- 54022LA
- 89116NA
- 64126LA
- 43135LA
- 64069LA
- 89122NA
- 43145LA
- 96032LA
- 67003LA
- 46005LA
- 83699LP
- 96034LA
- 43159LA
- 43150LA
- 26136LA
- 59015LA
- 86014LA
- 67007LA
- 41016LA

74409LP

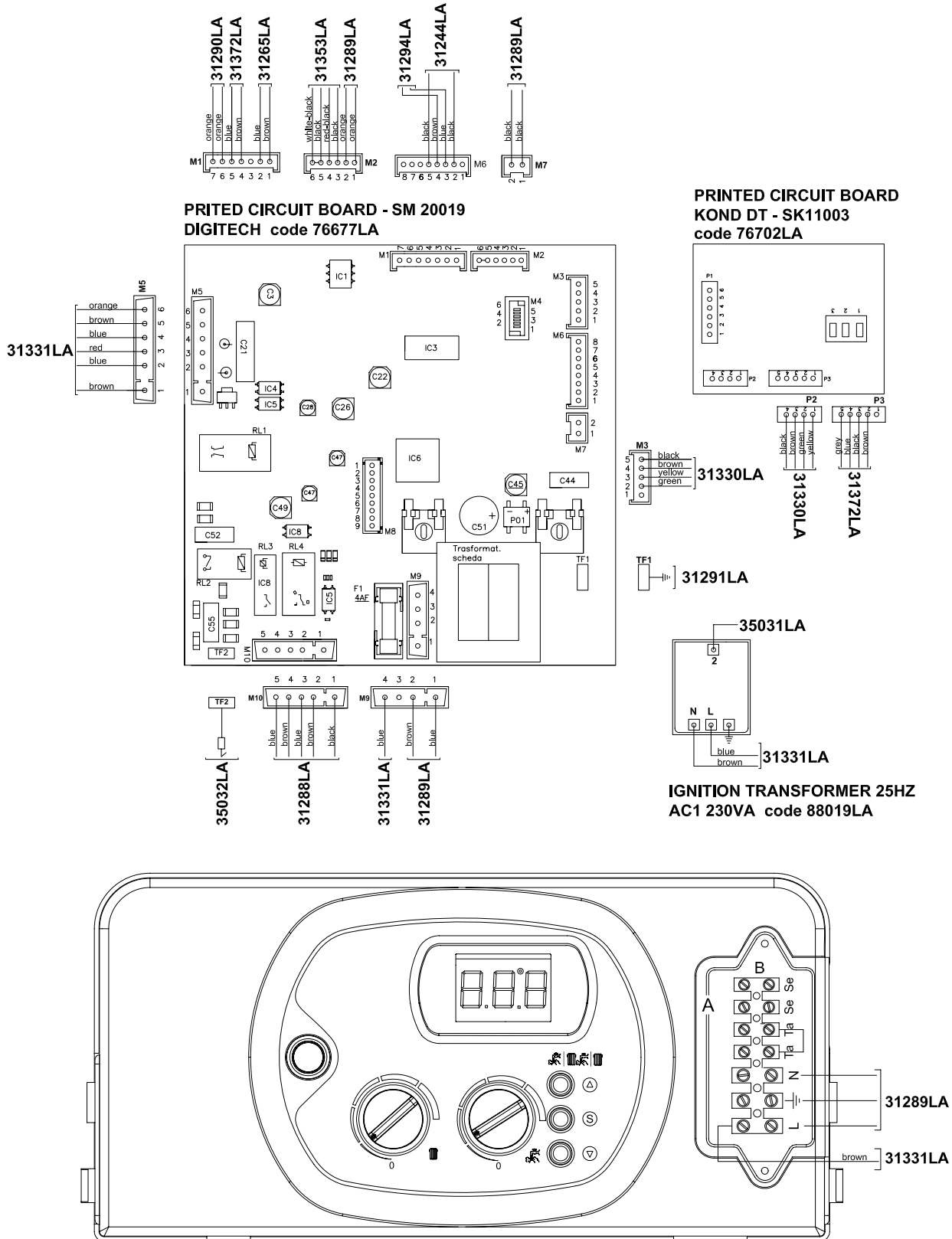
Pos.	Code	Description:	U.M.	Qt.
		Description:		
		<b>Wall hung boiler - with D.H.W. storage cylinder spare parts</b>		
		<b>HYDRAULIC SYSTEM</b>		
		Object / model:		
		<b>mod. RKA 34</b>		
		<i>room sealed - electronic ignition</i>		
		Date: 05.07.2007	A991A432A531	methane
		Scale: —	A991B432A531	L.P.G.
		Department: tecnico		
		Designed by:		heavy oil
		Controlled by:		
		Approved by:	Sheet no.:	<b>B0668_AE1</b>
<small>ALL DESCRIPTIONS AND ILLUSTRATIONS CONTAINED IN THIS LEAFLET HAVE BEEN CAREFULLY PREPARED BUT WE RESERVE THE RIGHT TO MAKE CHANGES AND IMPROVEMENTS IN OUR PRODUCTS WHICH MAY AFFECT THE ACCURACY OF THE INFORMATION CONTAINED IN THIS LEAFLET, E + OE ALL RIGHTS RESERVED. NO PART OF THIS DOCUMENT MAY BE REPRODUCED, STORED IN STORAGE SYSTEMS OR TRANSMITTED IN ANY FORM OR BY ANY MEANS, WHETHER ELECTRONIC, MECHANICAL, PHOTOCOPIING, RECORDING OR OTHERWISE, WITHOUT THE MANUFACTURER'S PRIOR AUTHORISATION IN WRITING.</small>				





<b>Pos.</b>	<b>Code</b>	<b>Description:</b>	<b>U.M.</b>	<b>Qt.</b>
		Description:		
		<b>Wall hung boiler - with D.H.W. storage cylinder spare parts</b>		
		<b>THERMAL SYSTEM</b>		
		Object / model:		
		<b>mod. RKA 34</b>		
		<i>room sealed - electronic ignition</i>		
		Date: 05.07.2007	A991A432A531	methane
		Scale: —	A991B432A531	L.P.G.
		Department: tecnico		
		Designed by:		heavy oil
		Controlled by:		
		Approved by:	Sheet no.:	<b>B0669_AE1</b>

ALL DESCRIPTIONS AND ILLUSTRATIONS CONTAINED IN THIS LEAFLET HAVE BEEN CAREFULLY PREPARED BUT WE RESERVE THE RIGHT TO MAKE CHANGES AND IMPROVEMENTS IN OUR PRODUCTS WHICH MAY AFFECT THE ACCURACY OF THE INFORMATION CONTAINED IN THIS LEAFLET, E + OE ALL RIGHTS RESERVED. NO PART OF THIS DOCUMENT MAY BE REPRODUCED, SAVED IN STORAGE SYSTEMS OR TRANSMITTED IN ANY FORM OR BY ANY MEANS, WHETHER ELECTRONIC, MECHANICAL, PHOTOCOPIING, RECORDING OR OTHERS, WITHOUT THE MANUFACTURER'S PRIOR AUTHORISATION IN WRITING.



Pos.	Code	Description:	U.M.	Qt.
		Description: <b>Wall hung boiler - with D.H.W. storage cylinder spare parts</b> <b>ELECTRIC SYSTEM</b>		
		Object / model: <b>mod. RKA 34</b> <i>room sealed - electronic ignition</i>		
		Date: 05.07.2007	A991A432A531	methane
		Scale: —	A991B432A531	L.P.G.
		Department: tecnico		
		Designed by:		heavy oil
		Controlled by:		
		Approved by:	Sheet no.:	<b>B0670_AE1</b>

ALL DESCRIPTIONS AND ILLUSTRATIONS CONTAINED IN THIS LEAFLET HAVE BEEN CAREFULLY PREPARED BUT WE RESERVE THE RIGHT TO MAKE CHANGES AND IMPROVEMENTS IN OUR PRODUCTS WHICH MAY AFFECT THE ACCURACY OF THE INFORMATION CONTAINED IN THIS LEAFLET, E + OE ALL RIGHTS RESERVED. NO PART OF THIS DOCUMENT MAY BE REPRODUCED, STORED IN STORAGE SYSTEMS OR TRANSMITTED IN ANY FORM OR BY ANY MEANS, WHETHER ELECTRONIC, MECHANICAL, PHOTOCOPIING, RECORDING OR OTHERWISE, WITHOUT THE MANUFACTURER'S PRIOR AUTHORISATION IN WRITING.