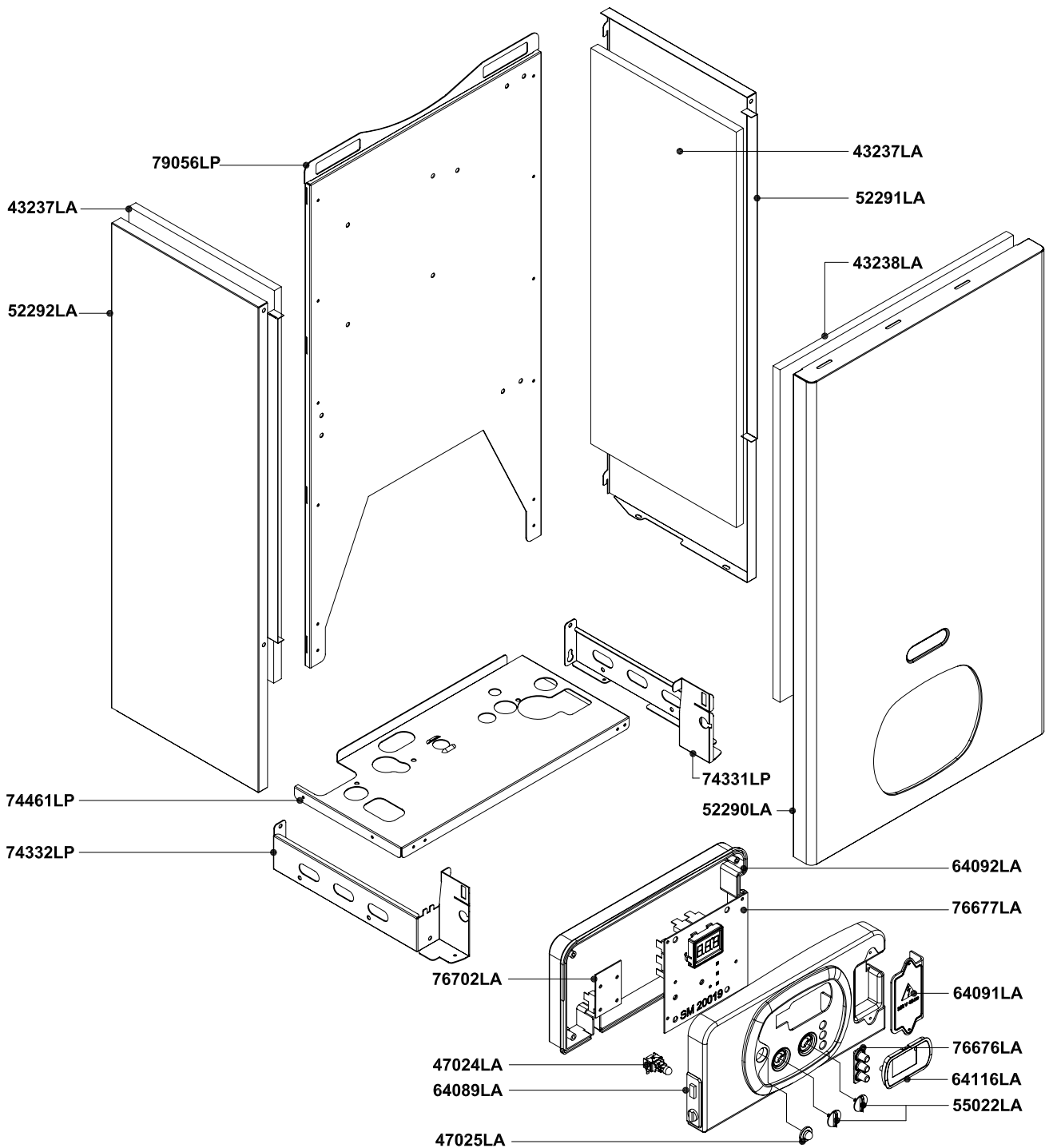


Rev.	Description	Date
------	-------------	------

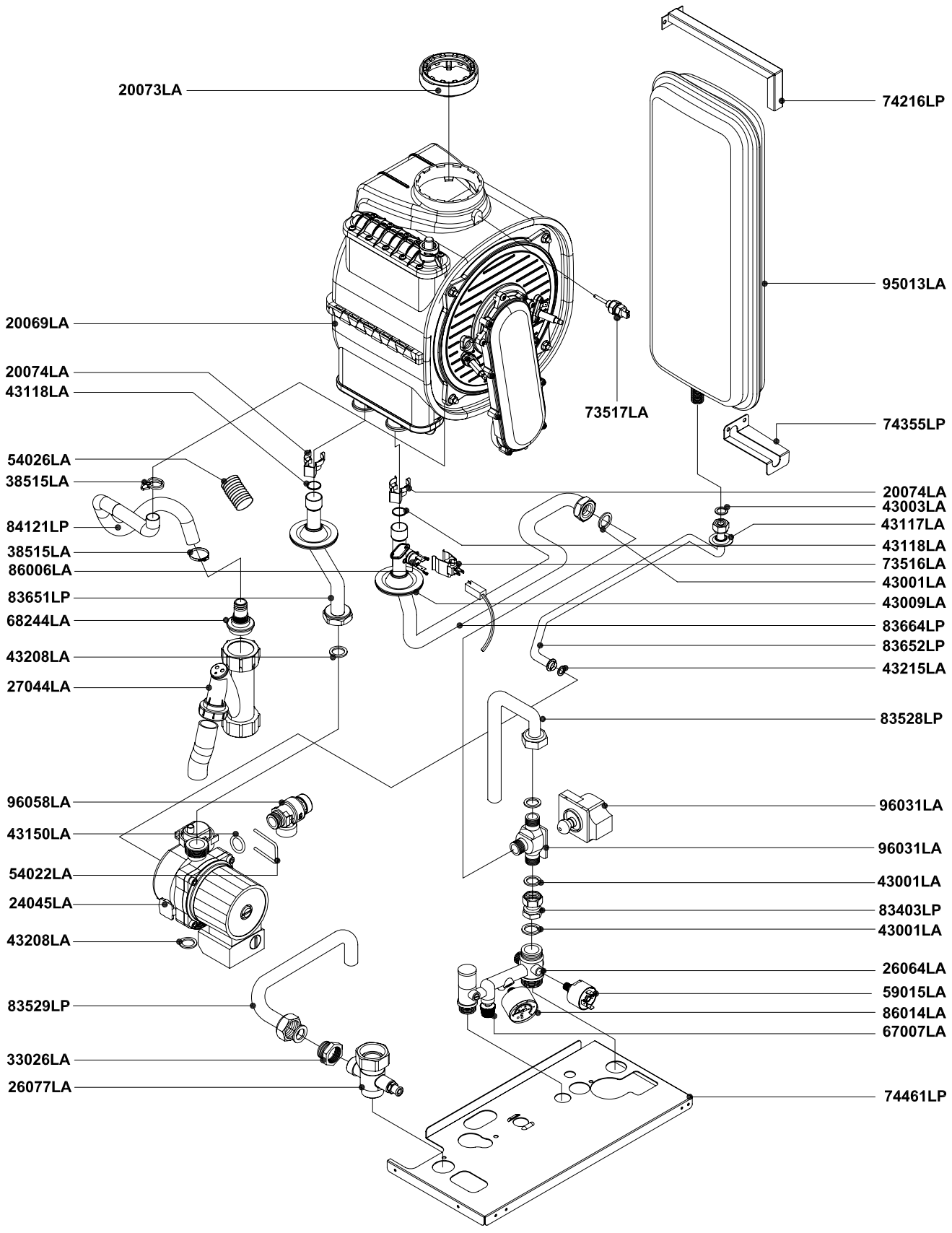


Pos.	Code	Description:	U.M.	Qt.
		Description:	Date: 17.02.07	A991A732C201 methane
		Wall hung Condensing boiler - Spare parts	Scale: —	A991B732C201 L.P.G.
		FRAME and CASING COMPONENTS	Department: tecnico	
		Object / model:	Designed by:	heavy oil
		mod. RK 25/B	Controlled by:	
		Only heating	Approved by:	Sheet no.: B0587_AE1
<small>ALL DESCRIPTIONS AND ILLUSTRATIONS CONTAINED IN THIS LEAFLET HAVE BEEN CAREFULLY PREPARED BUT WE RESERVE THE RIGHT TO MAKE CHANGES AND IMPROVEMENTS IN OUR PRODUCTS WHICH MAY AFFECT THE ACCURACY OF THE INFORMATION CONTAINED IN THIS LEAFLET, E + OE ALL RIGHTS RESERVED. NO PART OF THIS DOCUMENT MAY BE REPRODUCED, SAVED IN STORAGE SYSTEMS OR TRANSMITTED IN ANY FORM OR BY ANY MEANS, WHETHER ELECTRONIC, MECHANICAL, PHOTOCOPIING, RECORDING OR OTHERS, WITHOUT THE MANUFACTURERS PRIOR AUTHORISATION IN WRITING.</small>				



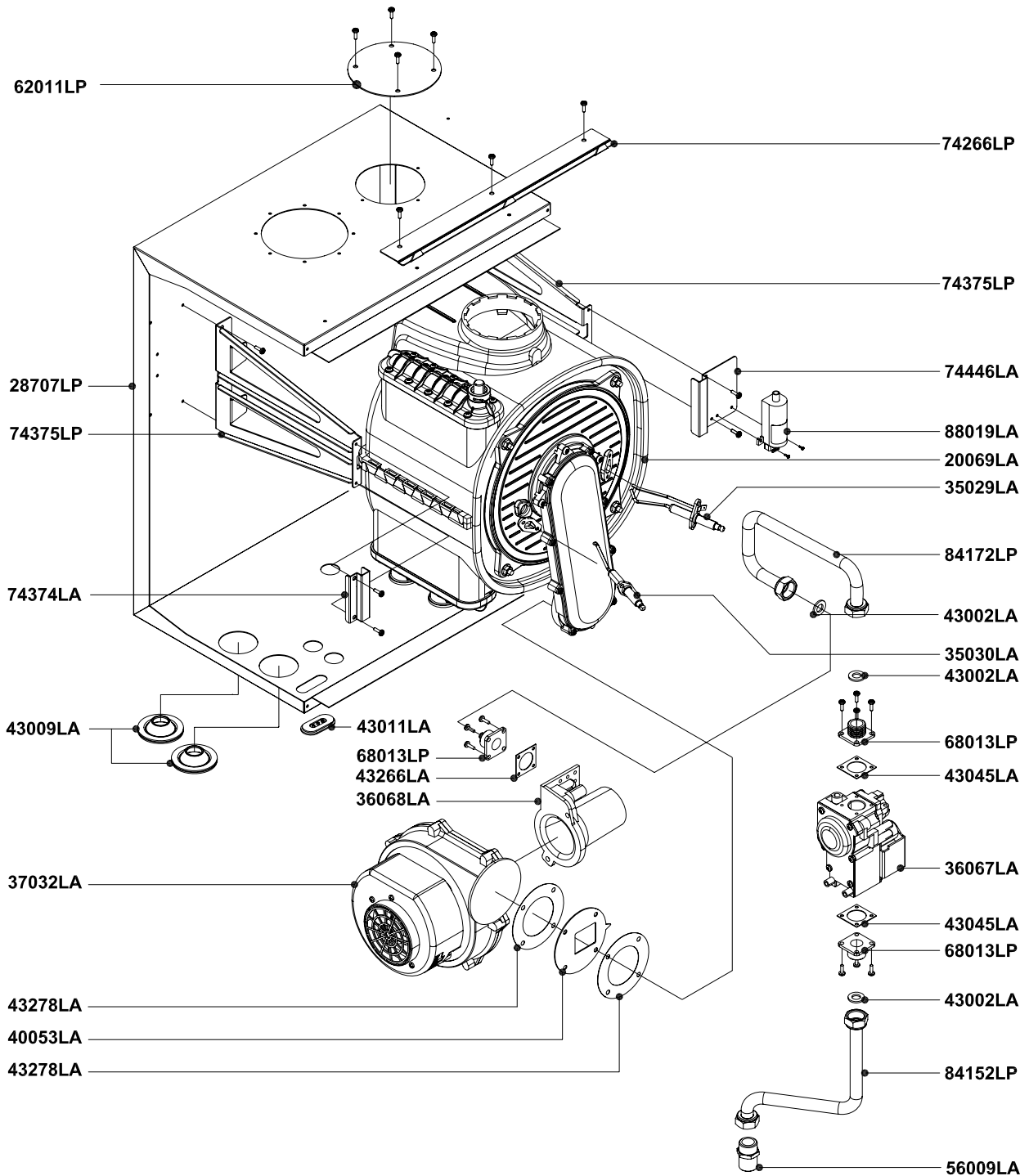
RADIANT BRUCIATORI S.p.A.

Rev.	Description	Date
------	-------------	------



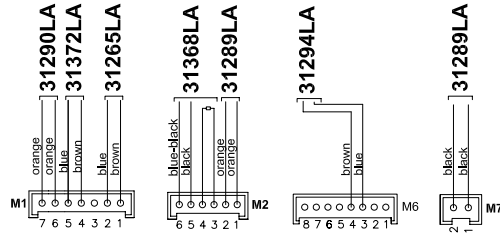
Pos.	Code	Description:	U.M.	Qt.
		Description:	Date: 13.02.07	A991A732C201 methane
		Wall hung Condensing boiler - Spare parts	Scale: —	A991B732C201 L.P.G.
		HYDRAULIC SYSTEM	Department: tecnico	
		Object / model:	Designed by:	heavy oil
		mod. RK 25/B	Controlled by:	
		Only heating	Approved by:	Sheet no.: B0588_AE1
<small>ALL DESCRIPTIONS AND ILLUSTRATIONS CONTAINED IN THIS LEAFLET HAVE BEEN CAREFULLY PREPARED BUT WE RESERVE THE RIGHT TO MAKE CHANGES AND IMPROVEMENTS IN OUR PRODUCTS WHICH MAY AFFECT THE ACCURACY OF THE INFORMATION CONTAINED IN THIS LEAFLET, E + OE ALL RIGHTS RESERVED. NO PART OF THIS DOCUMENT MAY BE REPRODUCED, SAID IN STORAGE SYSTEMS OR TRANSMITTED IN ANY FORM OR BY ANY MEANS, WHETHER ELECTRONIC, MECHANICAL, PHOTOCOPIING, RECORDING OR OTHERS, WITHOUT THE MANUFACTURERS PRIOR AUTHORISATION IN WRITING.</small>				



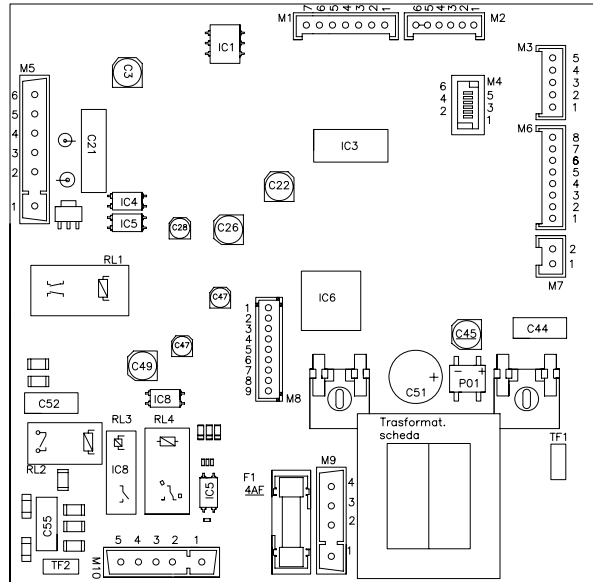


Pos.	Code	Description:	U.M.	Qt.
		Description:		
		Wall hung Condensing boiler - Spare parts		
		THERMAL SYSTEM		
		Object / model:		
		mod. RKR 25		
		Only heating		
		Date: 10.02.07	A991A732C201	methane
		Scale: —	A991B732C201	L.P.G.
		Department: tecnico		
		Designed by:		heavy oil
		Controlled by:		
		Approved by:	Sheet no.:	B0589_AE1

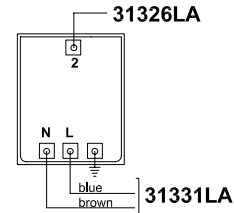
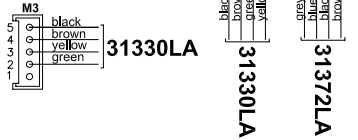
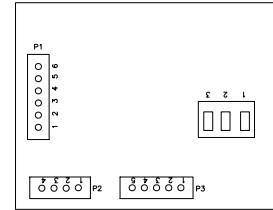
ALL DESCRIPTIONS AND ILLUSTRATIONS CONTAINED IN THIS LEAFLET HAVE BEEN CAREFULLY PREPARED BUT WE RESERVE THE RIGHT TO MAKE CHANGES AND IMPROVEMENTS IN OUR PRODUCTS WHICH MAY AFFECT THE ACCURACY OF THE INFORMATION CONTAINED IN THIS LEAFLET, E + OE ALL RIGHTS RESERVED. NO PART OF THIS DOCUMENT MAY BE REPRODUCED, SAID IN STORAGE SYSTEMS OR TRANSMITTED IN ANY FORM OR BY ANY MEANS, WHETHER ELECTRONIC, MECHANICAL, PHOTOCOPIING, RECORDING OR OTHERS, WITHOUT THE MANUFACTURERS PRIOR AUTHORISATION IN WRITING.



PRINTED CIRCUIT BOARD - SM 20019
DIGITECH code 76677LA

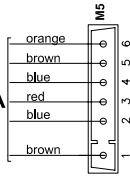


PRINTED CIRCUIT BOARD
KOND DT - SK11003
code 76702LA



IGNITION TRANSFORMER 25HZ
AC1 230VA code 88019LA

31331LA



31327LA

31288LA

31331LA

31289LA

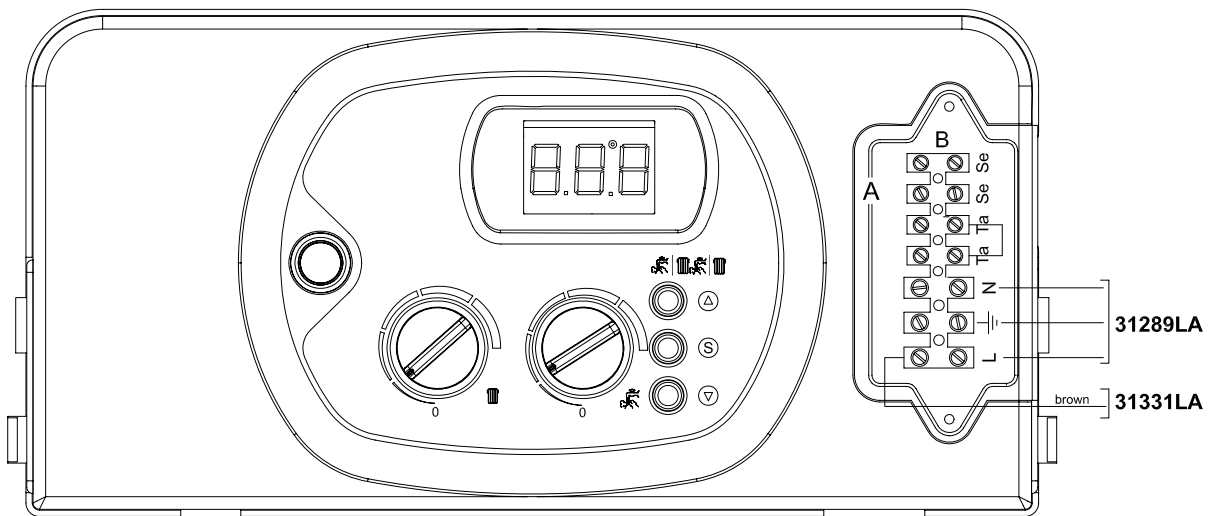
31330LA

31330LA

31372LA

31326LA

31331LA



31289LA

31331LA

Pos.	Code	Description:	U.M.	Qt.
		Description: Wall hung Condensing boiler - Spare parts ELECTRIC SYSTEM		
		Object / model: mod. RK 25/B Only heating		
		Date: 10.02.07	A991A732C201	methane
		Scale: —	A991B732C201	L.P.G.
		Department: tecnico		
		Designed by:		heavy oil
		Controlled by:		
		Approved by:	Sheet no.:	B0590_AE1

ALL DESCRIPTIONS AND ILLUSTRATIONS CONTAINED IN THIS LEAFLET HAVE BEEN CAREFULLY PREPARED BUT WE RESERVE THE RIGHT TO MAKE CHANGES AND IMPROVEMENTS IN OUR PRODUCTS WHICH MAY AFFECT THE ACCURACY OF THE INFORMATION CONTAINED IN THIS LEAFLET. E + OE ALL RIGHTS RESERVED. NO PART OF THIS DOCUMENT MAY BE REPRODUCED, STORED IN STORAGE SYSTEMS OR TRANSMITTED IN ANY FORM OR BY ANY MEANS, WHETHER ELECTRONIC, MECHANICAL, PHOTOCOPIING, RECORDING OR OTHERWISE, WITHOUT THE MANUFACTURER'S PRIOR AUTHORIZATION IN WRITING.