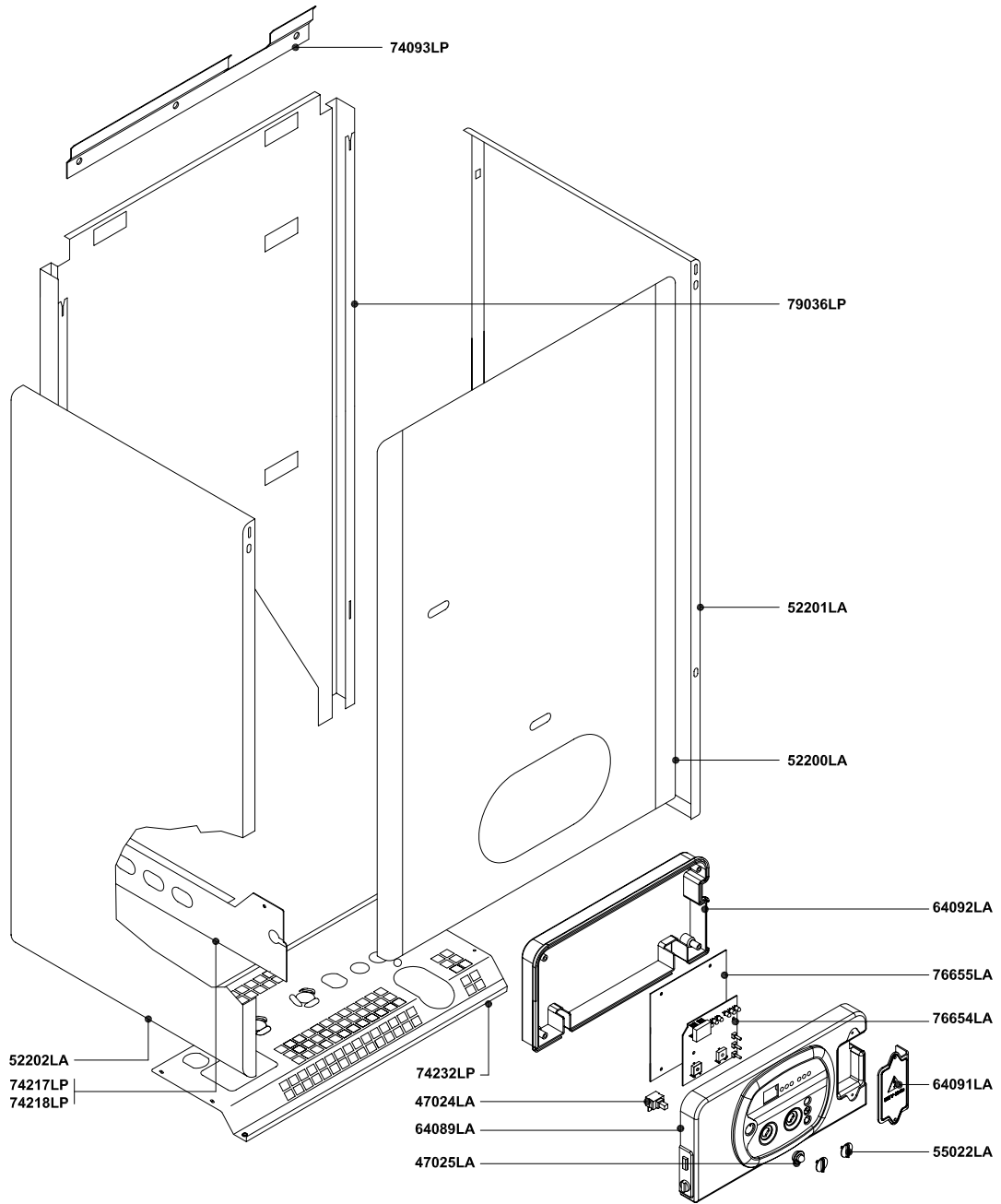

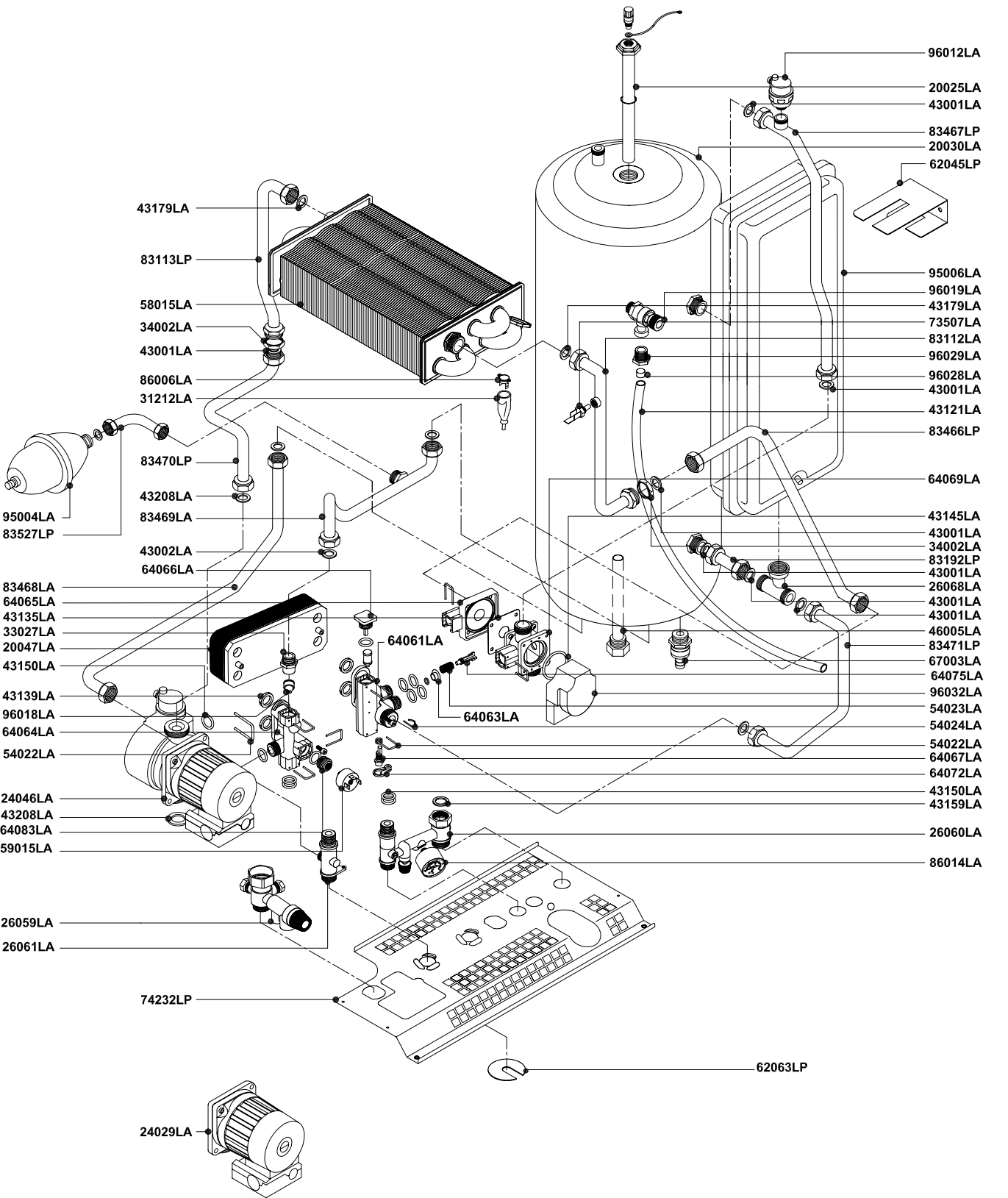



Rev.	Description	Date
------	-------------	------

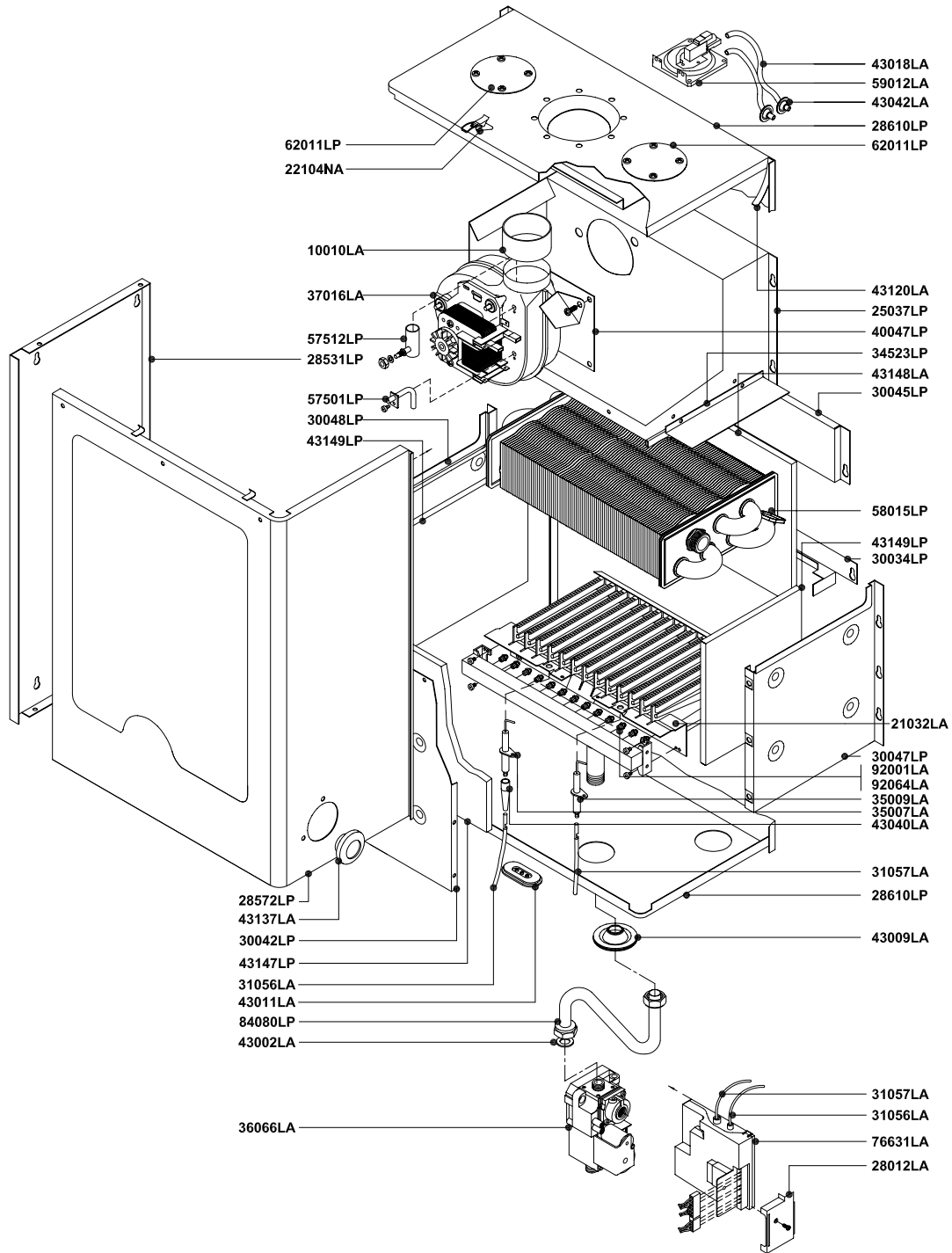


Pos.	Code	Description:	U.M.	Qt.
		Date: 06.09.2003	A991A412A441	methane
		Scale: —	A991B412A441	L.P.G.
		Department: tecnico		
		Designed by:		heavy oil
		Controlled by:		
		Approved by:	Sheet no.:	<b>B0227_AE1</b>
 <b>RADIANT</b> <small>RADIANT BRUCIATORI S.p.A.</small>				
Description: <b>Wall hung boiler - with D.H.W. storage cylinder spare parts</b> <b>FRAME + CASING COMPONENTS</b>				
Object / model: <b>mod. RMAS 30 E SUPERCOMFORT</b> <i>room sealed - electronic ignition</i>				
<small>ALL DESCRIPTIONS AND ILLUSTRATIONS CONTAINED IN THIS LEAFLET HAVE BEEN CAREFULLY PREPARED BUT WE RESERVE THE RIGHT TO MAKE CHANGES AND IMPROVEMENTS IN OUR PRODUCTS WHICH MAY AFFECT THE ACCURACY OF THE INFORMATION CONTAINED IN THIS LEAFLET, E + OE ALL RIGHTS RESERVED. NO PART OF THIS DOCUMENT MAY BE REPRODUCED, SAID IN STORAGE SYSTEMS OR TRANSMITTED IN ANY FORM OR BY ANY MEANS, WHETHER ELECTRONIC, MECHANICAL, PHOTOCOPIING, RECORDING OR OTHERS, WITHOUT THE MANUFACTURERS PRIOR AUTHORISATION IN WRITING.</small>				

Rev.	Description	Date
------	-------------	------



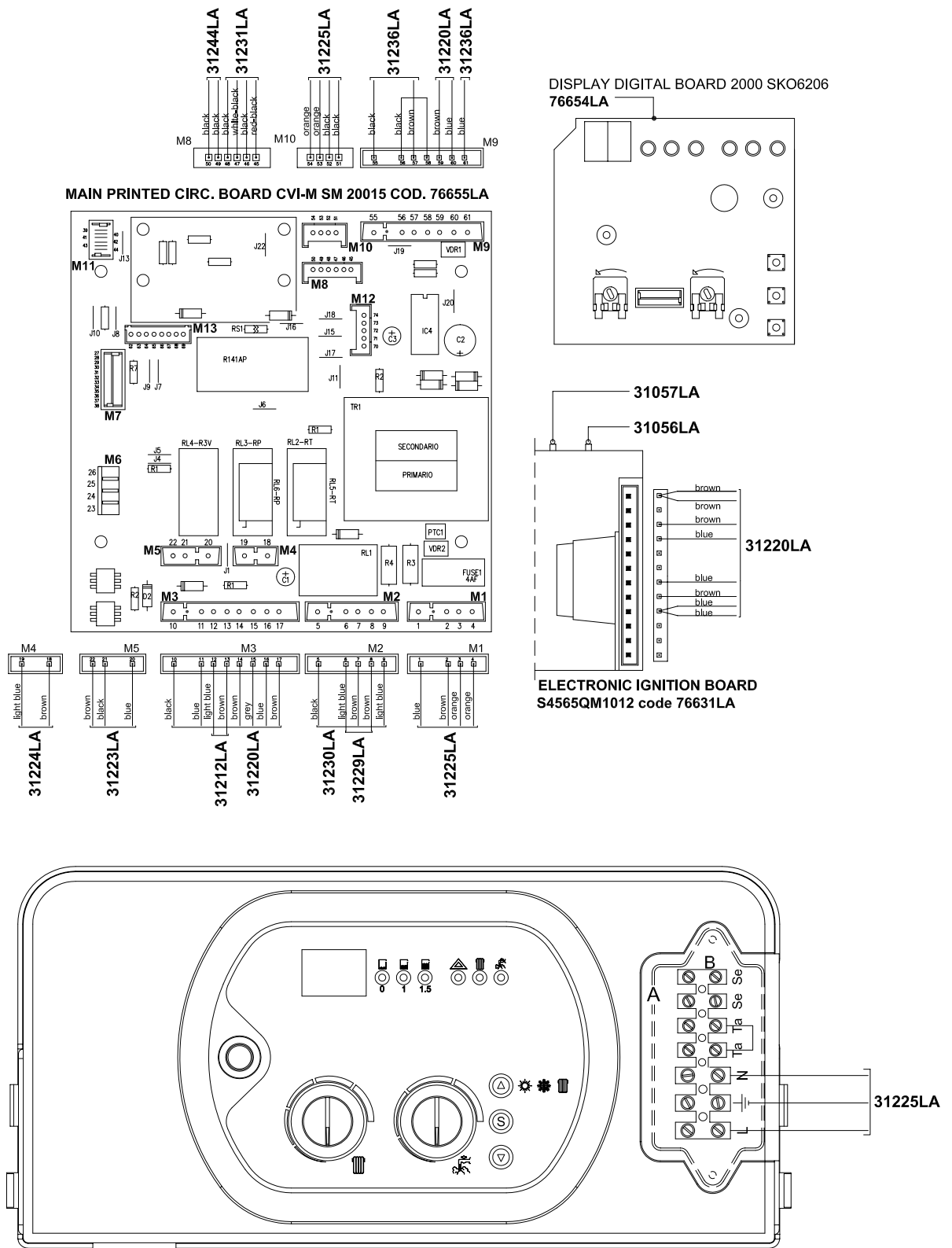
 RADIANT BRUCIATORI S.p.A.	Pos.	Code	Description:	Date:	13.03.2005	U.M.	A991A412A441	Qt.	methane
			Description: <b>Wall hung boiler - with D.H.W. storage cylinder spare parts</b> <b>HYDRAULIC SYSTEM</b> Object / model: <b>mod. RMAS 30 E SUPERCOMFORT</b> room sealed - electronic ignition	Scale:	—		A991B412A441		L.P.G.
				Department:	tecnico				heavy oil
				Designed by:					
				Controlled by:					
				Approved by:			Sheet no.:	<b>B0228_AE1</b>	
<small>ALL DESCRIPTIONS AND ILLUSTRATIONS CONTAINED IN THIS LEAFLET HAVE BEEN CAREFULLY PREPARED BUT WE RESERVE THE RIGHT TO MAKE CHANGES AND IMPROVEMENTS IN OUR PRODUCTS WHICH MAY AFFECT THE ACCURACY OF THE INFORMATION CONTAINED IN THIS LEAFLET. E = OE ALL RIGHTS RESERVED. NO PART OF THIS DOCUMENT MAY BE REPRODUCED, SAID IN STORAGE SYSTEMS OR TRANSMITTED IN ANY FORM OR BY ANY MEANS, WHETHER ELECTRONIC, MECHANICAL, PHOTOCOPIING, RECORDING OR OTHERS, WITHOUT THE MANUFACTURERS PRIOR AUTHORIZATION IN WRITING.</small>									



Pos.	Code	Description:		U.M.	Qt.
		Description:	Date: 06.09.2003	A991A412A441	methane
		<b>Wall hung boiler - with D.H.W. storage cylinder spare parts</b>	Scale: —	A991B412A441	L.P.G.
		<b>THERMAL SYSTEM</b>	Department: tecnico		
		Object / model:	Designed by:		heavy oil
		<b>mod. RMAS 30 E SUPERCOMFORT</b>	Controlled by:		
		<i>room sealed - electronic ignition</i>	Approved by:	Sheet no.:	<b>B0229_AE1</b>
<small>ALL DESCRIPTIONS AND ILLUSTRATIONS CONTAINED IN THIS LEAFLET HAVE BEEN CAREFULLY PREPARED BUT WE RESERVE THE RIGHT TO MAKE CHANGES AND IMPROVEMENTS IN OUR PRODUCTS WHICH MAY AFFECT THE ACCURACY OF THE INFORMATION CONTAINED IN THIS LEAFLET, E + OE ALL RIGHTS RESERVED. NO PART OF THIS DOCUMENT MAY BE REPRODUCED, SAID IN STORAGE SYSTEMS OR TRANSMITTED IN ANY FORM OR BY ANY MEANS, WHETHER ELECTRONIC, MECHANICAL, PHOTOCOPIING, RECORDING OR OTHERS, WITHOUT THE MANUFACTURERS PRIOR AUTHORISATION IN WRITING.</small>					



RADIANT BRUCIATORI S.p.A.



Pos.	Code	Description:	U.M.	Qt.
		Description: <b>Wall hung boiler - with D.H.W. storage cylinder spare parts</b> <b>ELECTRIC SYSTEM</b>		
		Object / model: <b>mod. RMAS 30 E SUPERCOMFORT</b> <i>room sealed - electronic ignition</i>		
		Date: 13.03.2003	A991A412A441	methane
		Scale: —	A991B412A441	L.P.G.
		Department: tecnico		
		Designed by:		heavy oil
		Controlled by:		
		Approved by:	Sheet no.:	<b>B0230_AE1</b>

ALL DESCRIPTIONS AND ILLUSTRATIONS CONTAINED IN THIS LEAFLET HAVE BEEN CAREFULLY PREPARED BUT WE RESERVE THE RIGHT TO MAKE CHANGES AND IMPROVEMENTS IN OUR PRODUCTS WHICH MAY AFFECT THE ACCURACY OF THE INFORMATION CONTAINED IN THIS LEAFLET. E + OE ALL RIGHTS RESERVED. NO PART OF THIS DOCUMENT MAY BE REPRODUCED, STORED IN STORAGE SYSTEMS OR TRANSMITTED IN ANY FORM OR BY ANY MEANS, WHETHER ELECTRONIC, MECHANICAL, PHOTOCOPIING, RECORDING OR OTHERWISE, WITHOUT THE MANUFACTURER'S PRIOR AUTHORIZATION IN WRITING.