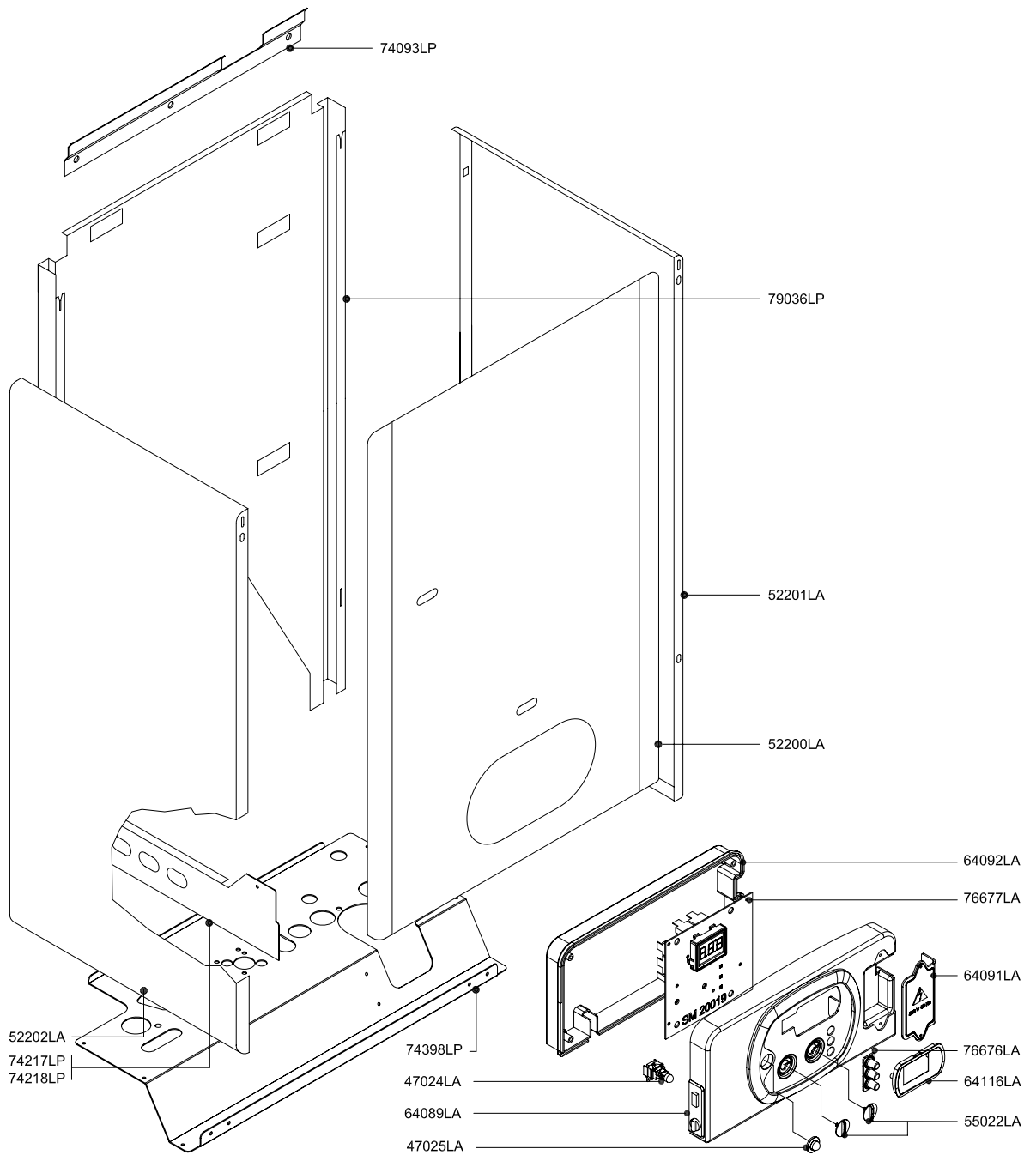
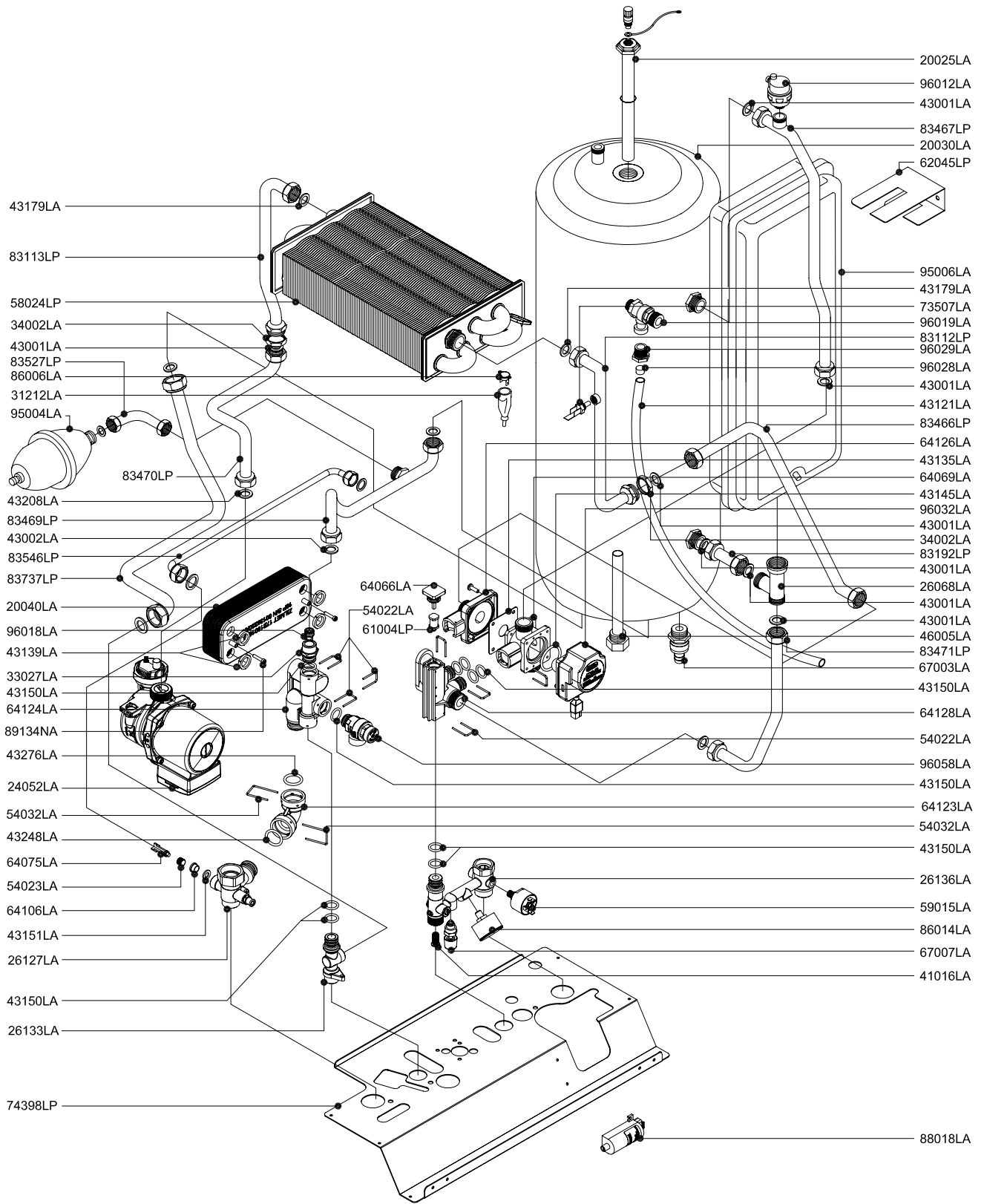


Rev.	Description	Date
------	-------------	------



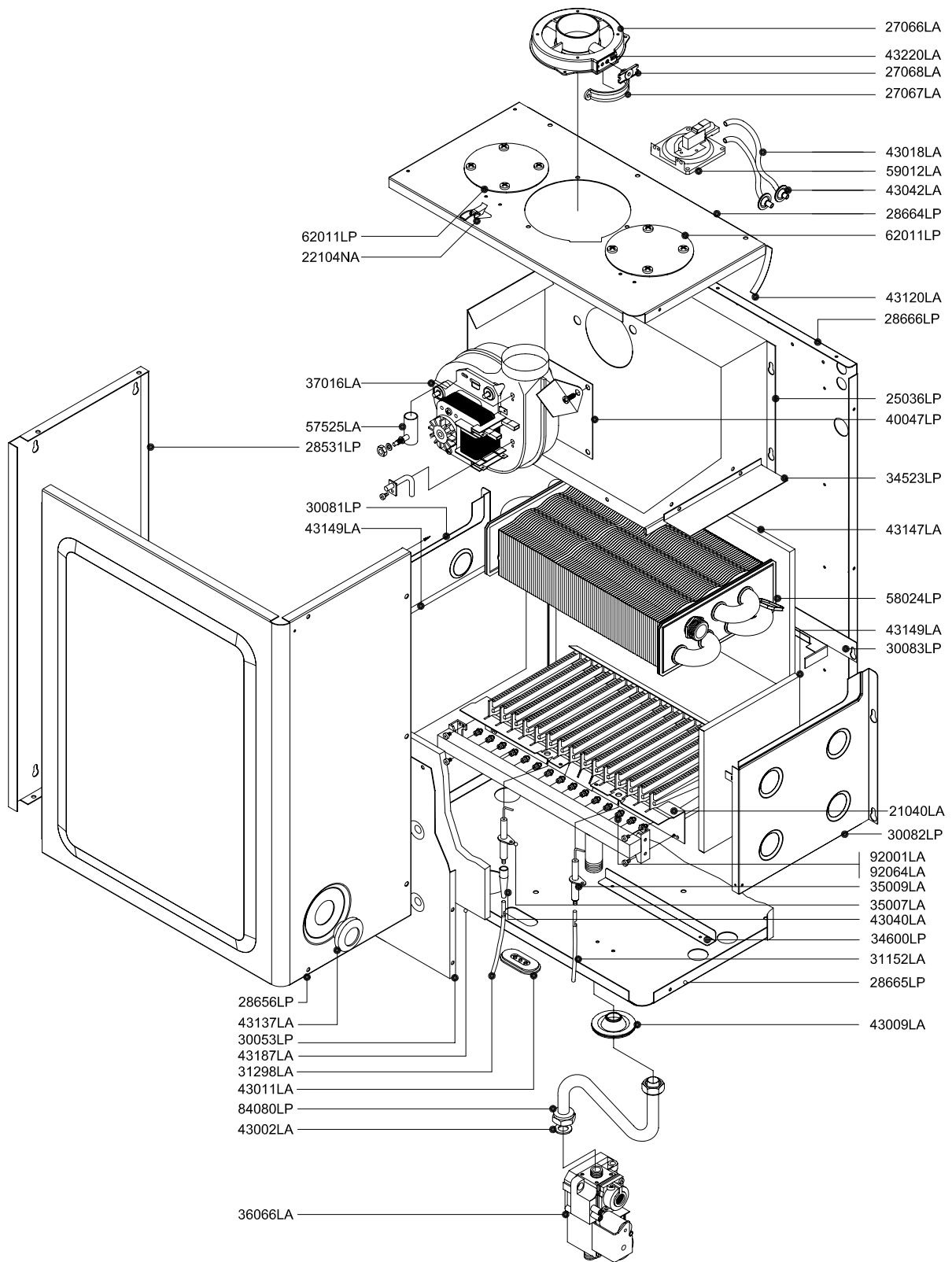
Pos.	Code	Description:	Date:	U.M.	Qt.
		Description: Wall hung boiler - with D.H.W. storage cylinder spare parts FRAME + CASING COMPONENTS	28.06.2007	A991A411E341	methane
		Object / model: mod. RMAS 24 E <i>open combustion chamber - electronic ignition</i>	Scale: --	A991B411E341	L.P.G.
			Department: tecnico		heavy oil
			Designed by:		
			Controlled by:		
			Approved by:	Sheet no.:	B0655_AE1
<small>ALL DESCRIPTIONS AND ILLUSTRATIONS CONTAINED IN THIS LEAFLET HAVE BEEN CAREFULLY PREPARED BUT WE RESERVE THE RIGHT TO MAKE CHANGES AND IMPROVEMENTS IN OUR PRODUCTS WHICH MAY AFFECT THE ACCURACY OF THE INFORMATION CONTAINED IN THIS LEAFLET. E + OE ALL RIGHTS RESERVED. NO PART OF THIS DOCUMENT MAY BE REPRODUCED, SAVED IN STORAGE SYSTEMS OR TRANSMITTED IN ANY FORM OR BY ANY MEANS, WHETHER ELECTRONIC, MECHANICAL, PHOTOCOPYING, RECORDING OR OTHERS, WITHOUT THE MANUFACTURERS PRIOR AUTHORISATION IN WRITING.</small>					

Rev.	Description	Date
------	-------------	------

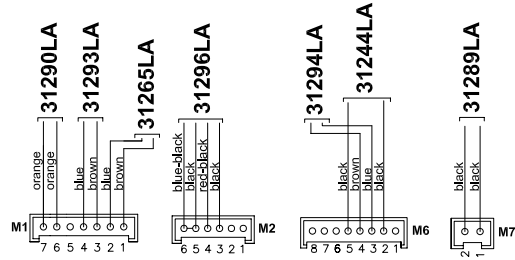


Pos.	Code	Description:	U.M.	Qt.
		Description:		
		Wall hung boiler - with D.H.W. storage cylinder spare parts		
		HYDRAULIC SYSTEM		
		Object / model:		
		mod. RMAS 24 E		
		<i>open combustion chamber - electronic ignition</i>		
		Date: 28.06.2007	A991A411E341	methane
		Scale: --	A991B411E341	L.P.G.
		Department: tecnico		
		Designed by:		
		Controlled by:		heavy oil
		Approved by:	Sheet no.:	B0656_AE1

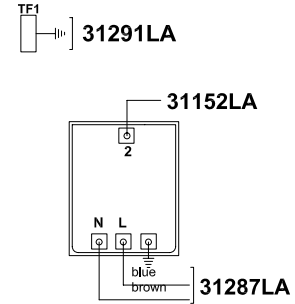
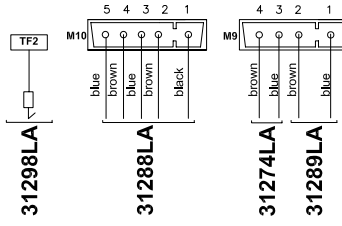
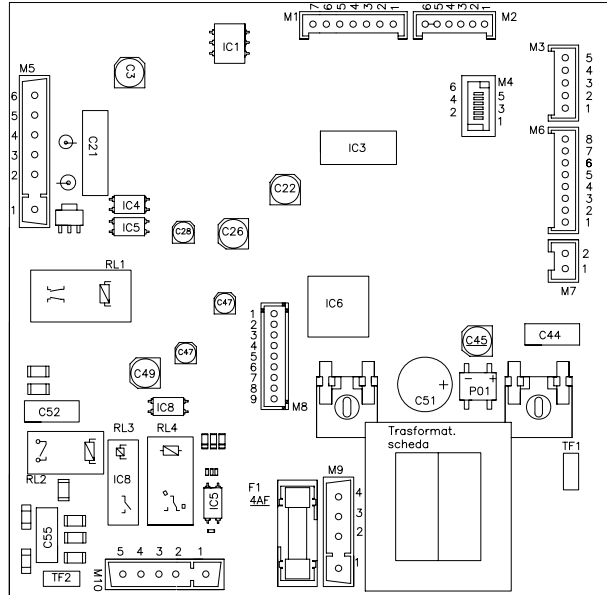
ALL DESCRIPTIONS AND ILLUSTRATIONS CONTAINED IN THIS LEAFLET HAVE BEEN CAREFULLY PREPARED BUT WE RESERVE THE RIGHT TO MAKE CHANGES AND IMPROVEMENTS IN OUR PRODUCTS WHICH MAY AFFECT THE ACCURACY OF THE INFORMATION CONTAINED IN THIS LEAFLET. E + OE ALL RIGHTS RESERVED. NO PART OF THIS DOCUMENT MAY BE REPRODUCED, SAVED IN STORAGE SYSTEMS OR TRANSMITTED IN ANY FORM OR BY ANY MEANS, WHETHER ELECTRONIC, MECHANICAL, PHOTOCOPYING, RECORDING OR OTHERS, WITHOUT THE MANUFACTURERS PRIOR AUTHORISATION IN WRITING.



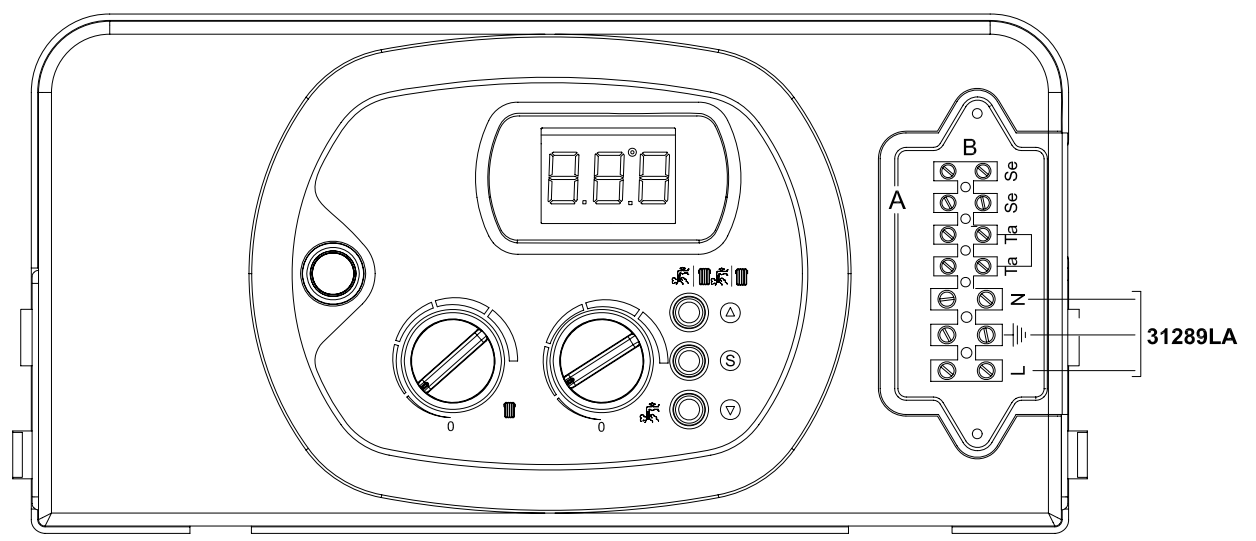
Pos.	Code	Description:	Date:	U.M.	Qt.
		Description:	28.06.2007		
		Wall hung boiler - with D.H.W. storage cylinder spare parts	Scale: --	A991A411E341	methane
		THERMAL SYSTEM	Department: tecnico	A991B411E341	L.P.G.
		Object / model:	Designed by:		
		mod. RMAS 24 E	Controlled by:		heavy oil
		<i>open combustion chamber - electronic ignition</i>	Approved by:	Sheet no.:	B0657_AE1
<small>ALL DESCRIPTIONS AND ILLUSTRATIONS CONTAINED IN THIS LEAFLET HAVE BEEN CAREFULLY PREPARED BUT WE RESERVE THE RIGHT TO MAKE CHANGES AND IMPROVEMENTS IN OUR PRODUCTS WHICH MAY AFFECT THE ACCURACY OF THE INFORMATION CONTAINED IN THIS LEAFLET. E + OE ALL RIGHTS RESERVED. NO PART OF THIS DOCUMENT MAY BE REPRODUCED, SAVED IN STORAGE SYSTEMS OR TRANSMITTED IN ANY FORM OR BY ANY MEANS, WHETHER ELECTRONIC, MECHANICAL, PHOTOCOPIING, RECORDING OR OTHERS, WITHOUT THE MANUFACTURERS PRIOR AUTHORISATION IN WRITING.</small>					



PRINTED CIRCUIT BOARD - SM 20019
DIGITECH code 76677LA



IGNITION TRANSFORMER 10HZ
AC1A114 code 88018LA



Pos.	Code	Description:	U.M.	Qt.
		Description: Wall hung boiler - with D.H.W. storage cylinder spare parts ELECTRIC SYSTEM		
		Object / model: mod. RMAS 24 E <i>open combustion chamber - electronic ignition</i>		
		Date: 28.06.2007	A991A411E341	methane
		Scale: ---	A991B411E341	L.P.G.
		Department: tecnico		
		Designed by:		heavy oil
		Controlled by:		
		Approved by:	Sheet no.:	B0658_AE1
<small>ALL DESCRIPTIONS AND ILLUSTRATIONS CONTAINED IN THIS LEAFLET HAVE BEEN CAREFULLY PREPARED BUT WE RESERVE THE RIGHT TO MAKE CHANGES AND IMPROVEMENTS IN OUR PRODUCTS WHICH MAY AFFECT THE ACCURACY OF THE INFORMATION CONTAINED IN THIS LEAFLET. E + OE ALL RIGHTS RESERVED. NO PART OF THIS DOCUMENT MAY BE REPRODUCED, SAVED IN STORAGE SYSTEMS OR TRANSMITTED IN ANY FORM OR BY ANY MEANS, WHETHER ELECTRONIC, MECHANICAL, PHOTOCOPIING, RECORDING OR OTHERS, WITHOUT THE MANUFACTURERS PRIOR AUTHORISATION IN WRITING.</small>				

