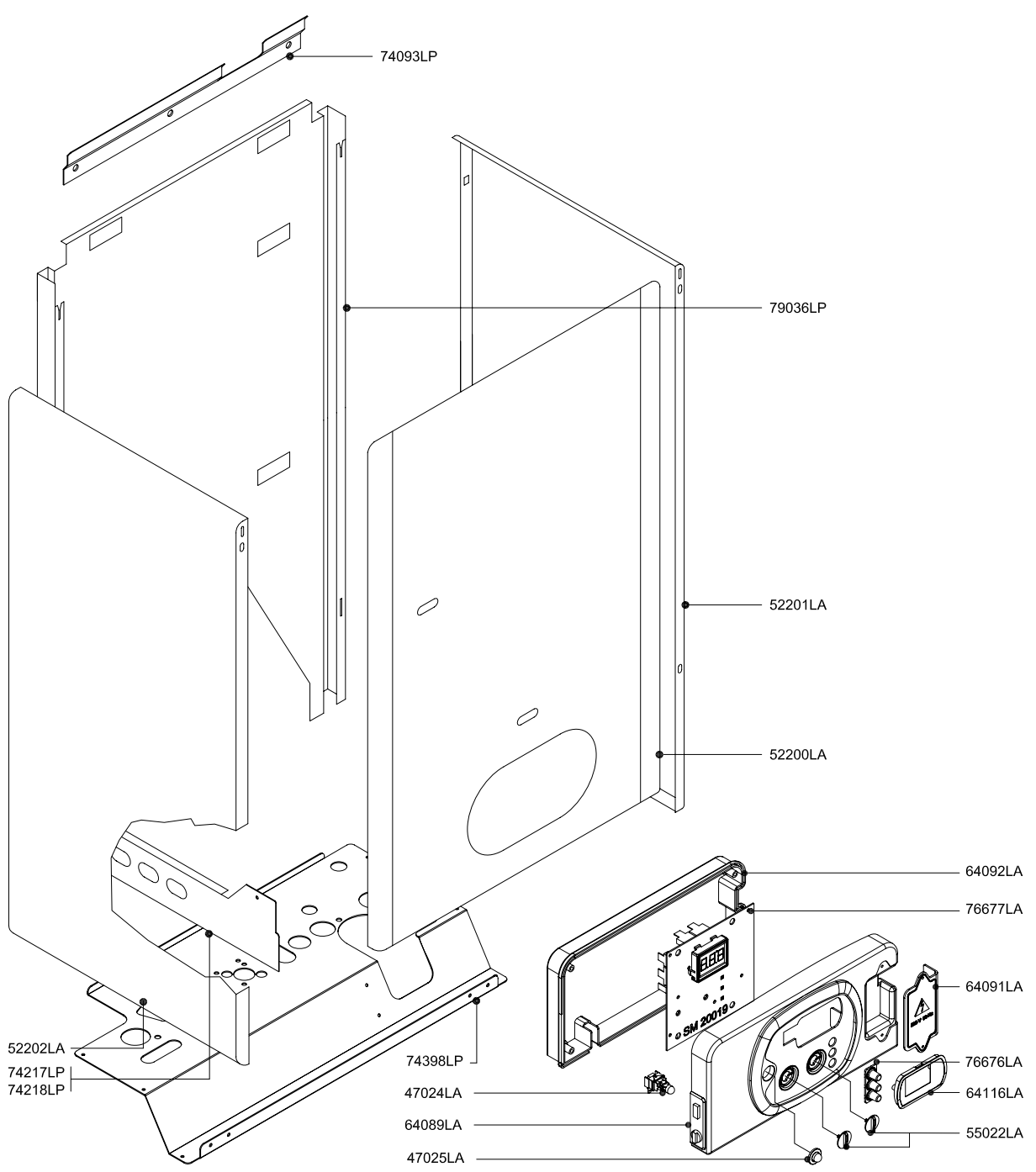



Rev.	Description	Date
------	-------------	------



Pos.	Code	Description:	U.M.	Qt.
		Date: 28.06.2007	A991A412E441	methane
		Scale: --	A991B412E441	L.P.G.
		Department: tecnico		
		Designed by:		heavy oil
		Controlled by:		
		Approved by:	Sheet no.:	<b>B0659_AE1</b>
 <b>RADIANT BRUCIATORI S.p.A.</b>				
ALL DESCRIPTIONS AND ILLUSTRATIONS CONTAINED IN THIS LEAFLET HAVE BEEN CAREFULLY PREPARED BUT WE RESERVE THE RIGHT TO MAKE CHANGES AND IMPROVEMENTS IN OUR PRODUCTS WHICH MAY AFFECT THE ACCURACY OF THE INFORMATION CONTAINED IN THIS LEAFLET, E + OE ALL RIGHTS RESERVED. NO PART OF THIS DOCUMENT MAY BE REPRODUCED, STORED IN STORAGE SYSTEMS OR TRANSMITTED IN ANY FORM OR BY ANY MEANS, WHETHER ELECTRONIC, MECHANICAL, PHOTOCOPIING, RECORDING OR OTHERWISE, WITHOUT THE MANUFACTURER'S PRIOR AUTHORISATION IN WRITING.				

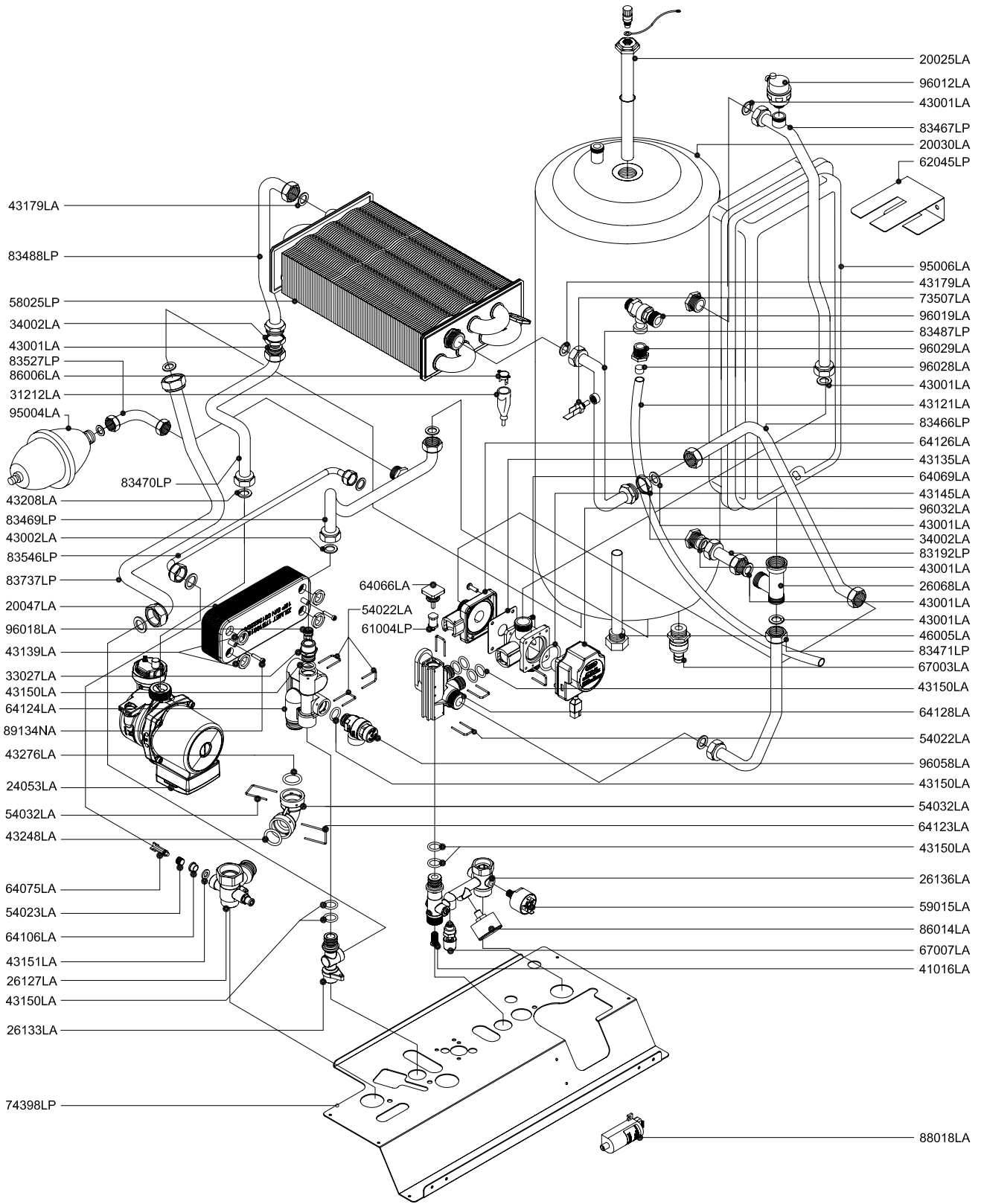
Description:  
**Wall hung boiler - with D.H.W. storage cylinder spare parts**  
**FRAME + CASING COMPONENTS**

Object / model:  
**mod. RMAS 30 E**  
*room sealed - electronic ignition*

Date: 28.06.2007  
 Scale: --  
 Department: tecnico  
 Designed by:  
 Controlled by:  
 Approved by:

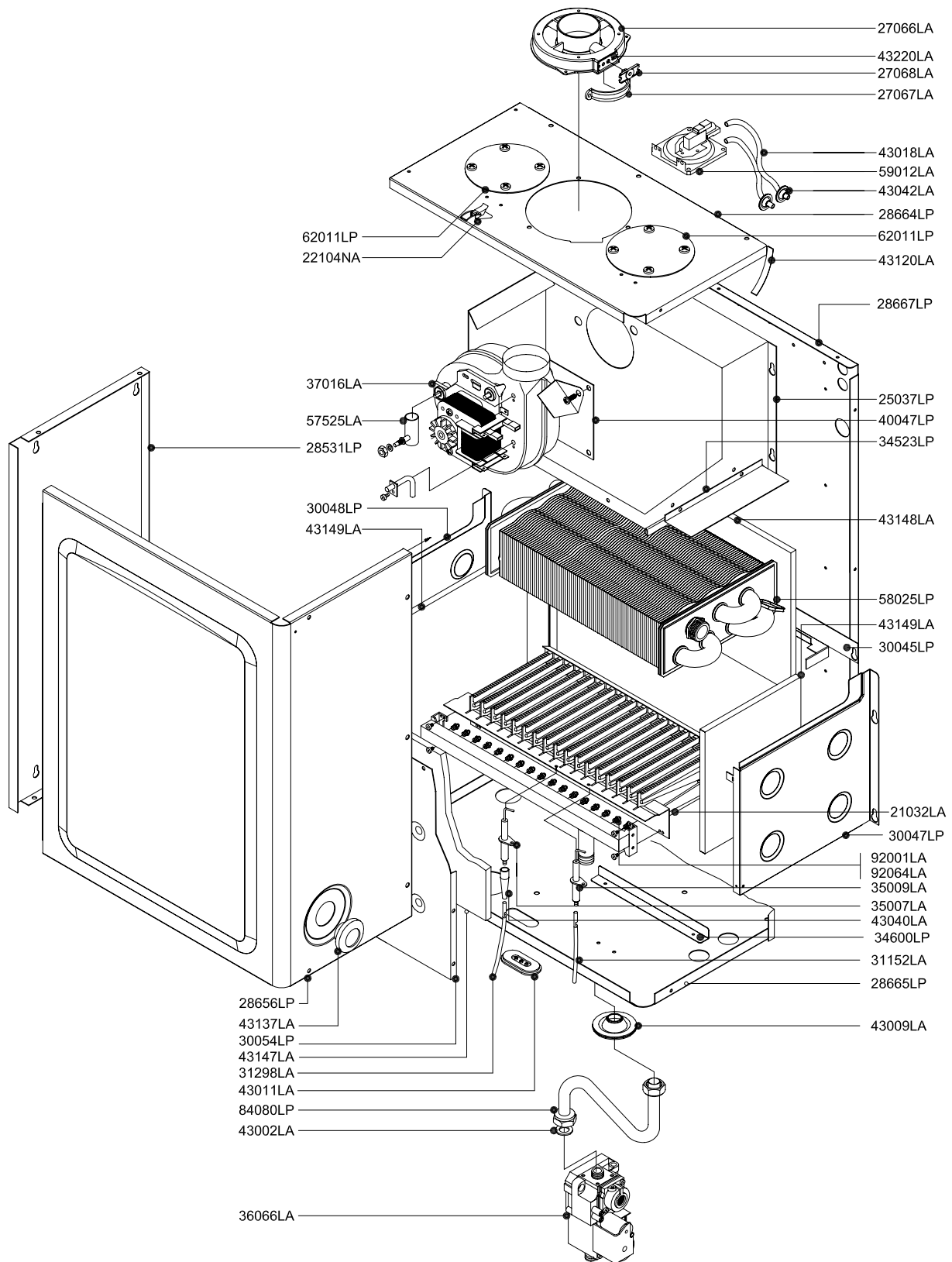
Code no.:  
 A991A412E441  
 A991B412E441  
 heavy oil  
 Sheet no.: **B0659\_AE1**

Rev.	Description	Date
------	-------------	------



Pos.	Code	Description:	U.M.	Qt.
		Description:		
		<b>Wall hung boiler - with D.H.W. storage cylinder spare parts</b>		
		<b>HYDRAULIC SYSTEM</b>		
		Object / model:		
		<b>mod. RMAS 30 E</b>		
		<i>room sealed - electronic ignition</i>		
		Date: 28.06.2007	A991A412E441	methane
		Scale: --	A991B412E441	L.P.G.
		Department: tecnico		
		Designed by:		
		Controlled by:		heavy oil
		Approved by:	Sheet no.:	<b>B0660_AE1</b>

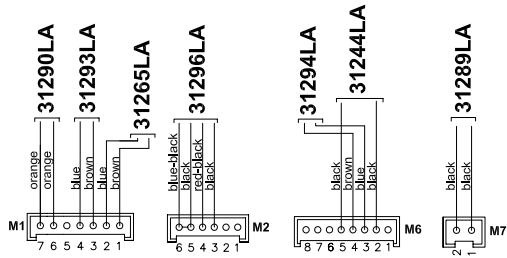
ALL DESCRIPTIONS AND ILLUSTRATIONS CONTAINED IN THIS LEAFLET HAVE BEEN CAREFULLY PREPARED BUT WE RESERVE THE RIGHT TO MAKE CHANGES AND IMPROVEMENTS IN OUR PRODUCTS WHICH MAY AFFECT THE ACCURACY OF THE INFORMATION CONTAINED IN THIS LEAFLET, E + OE ALL RIGHTS RESERVED. NO PART OF THIS DOCUMENT MAY BE REPRODUCED, SAVED IN STORAGE SYSTEMS OR TRANSMITTED IN ANY FORM OR BY ANY MEANS, WHETHER ELECTRONIC, MECHANICAL, PHOTOCOPIING, RECORDING OR OTHERS, WITHOUT THE MANUFACTURERS PRIOR AUTHORISATION IN WRITING.



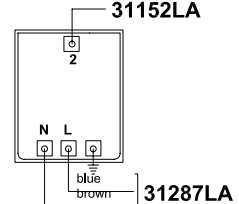
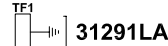
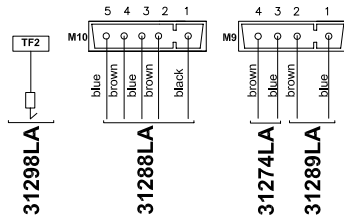
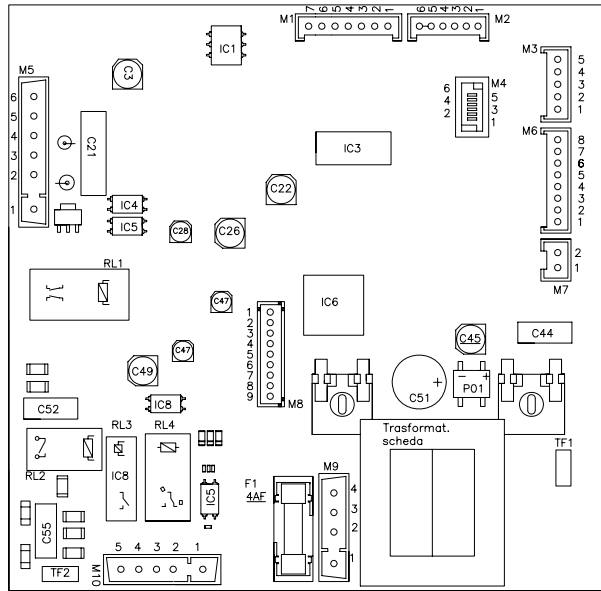
Pos.	Code	Description:	U.M.	Qt.
		Description: <b>Wall hung boiler - with D.H.W. storage cylinder spare parts</b> <b>THERMAL SYSTEM</b>		
		Object / model: <b>mod. RMAS 30 E</b> room sealed - electronic ignition		
		Date: 28.06.2007 Scale: --- Department: tecnico Designed by: Controlled by: Approved by:	A991A412E441 A991B412E441	methane L.P.G. heavy oil
			Code no.: Sheet no.:	B0661_AE1
<small>ALL DESCRIPTIONS AND ILLUSTRATIONS CONTAINED IN THIS LEAFLET HAVE BEEN CAREFULLY PREPARED BUT WE RESERVE THE RIGHT TO MAKE CHANGES AND IMPROVEMENTS IN OUR PRODUCTS WHICH MAY AFFECT THE ACCURACY OF THE INFORMATION CONTAINED IN THIS LEAFLET, E + OE ALL RIGHTS RESERVED. NO PART OF THIS DOCUMENT MAY BE REPRODUCED, SAVED IN STORAGE SYSTEMS OR TRANSMITTED IN ANY FORM OR BY ANY MEANS, WHETHER ELECTRONIC, MECHANICAL, PHOTOCOPIING, RECORDING OR OTHERS, WITHOUT THE MANUFACTURERS PRIOR AUTHORISATION IN WRITING.</small>				

Rev. Description

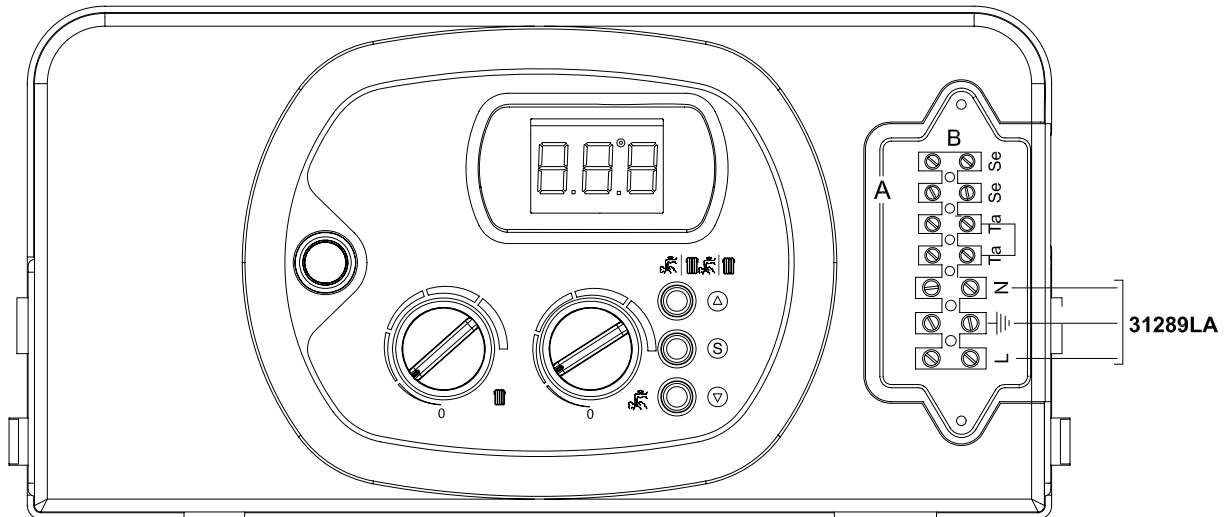
Date



**PRINTED CIRCUIT BOARD - SM 20019  
DIGITECH code 76677LA**



**IGNITION TRANSFORMER 10HZ  
AC1A114 code 88018LA**



Pos.	Code	Description:	U.M.	Qt.
		Description: <b>Wall hung boiler - with D.H.W. storage cylinder spare parts</b> <b>ELECTRIC SYSTEM</b>		
		Object / model: <b>mod. RMAS 30 E</b> <b>room sealed - electronic ignition</b>		
		Date: 28.06.2007	A991A412E441	methane
		Scale: ---	A991B412E441	L.P.G.
		Department: tecnico		
		Designed by:		heavy oil
		Controlled by:		
		Approved by:	Sheet no.:	<b>B0662_AE1</b>

ALL DESCRIPTIONS AND ILLUSTRATIONS CONTAINED IN THIS LEAFLET HAVE BEEN CAREFULLY PREPARED BUT WE RESERVE THE RIGHT TO MAKE CHANGES AND IMPROVEMENTS IN OUR PRODUCTS WHICH MAY AFFECT THE ACCURACY OF THE INFORMATION CONTAINED IN THIS LEAFLET. E + OE ALL RIGHTS RESERVED. NO PART OF THIS DOCUMENT MAY BE REPRODUCED, SAID IN STORAGE SYSTEMS OR TRANSMITTED IN ANY FORM OR BY ANY MEANS, WHETHER ELECTRONIC, MECHANICAL, PHOTOCOPIING, RECORDING OR OTHERS, WITHOUT THE MANUFACTURERS PRIOR AUTHORIZATION IN WRITING.