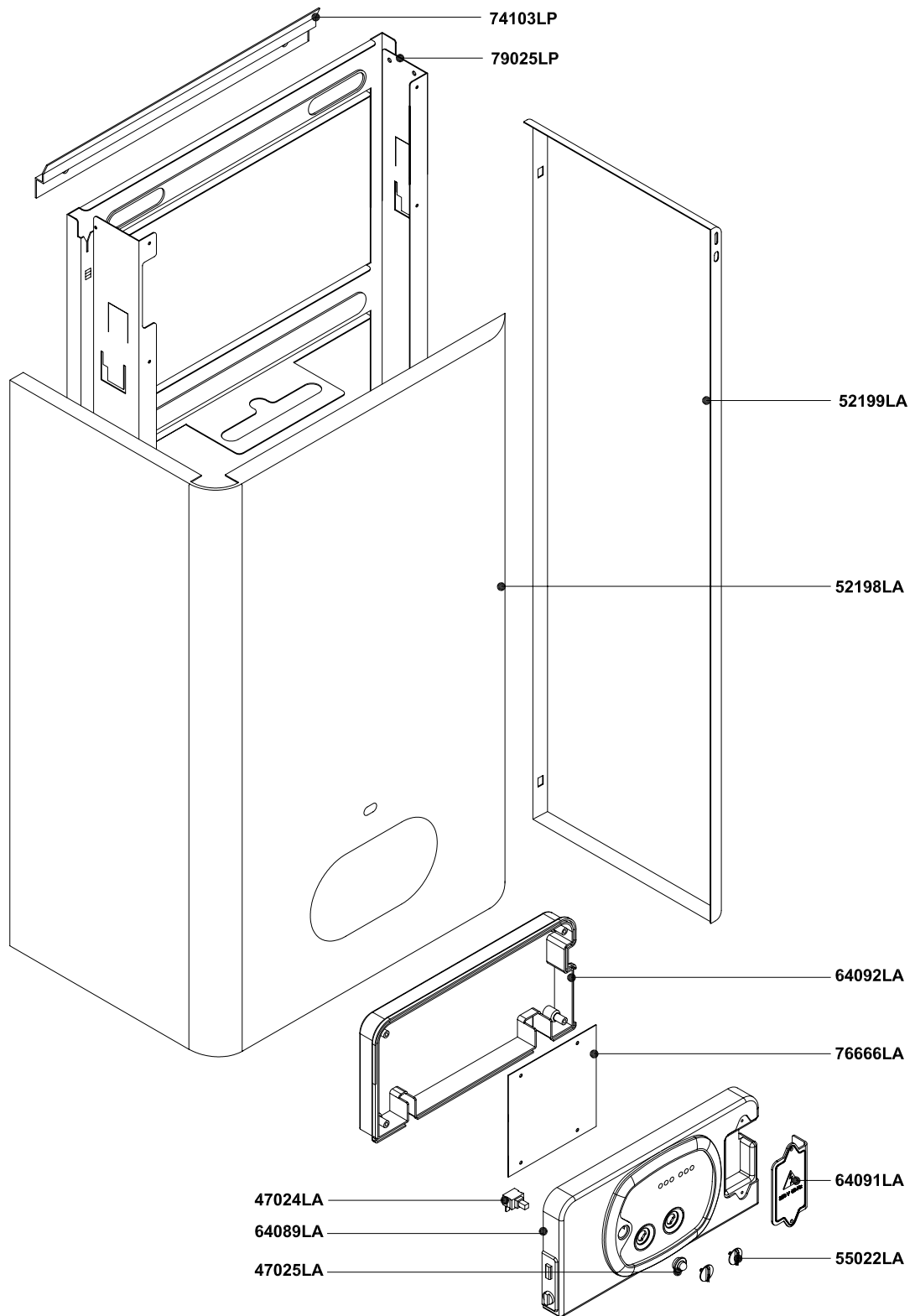



Rev.	Description	Date
------	-------------	------

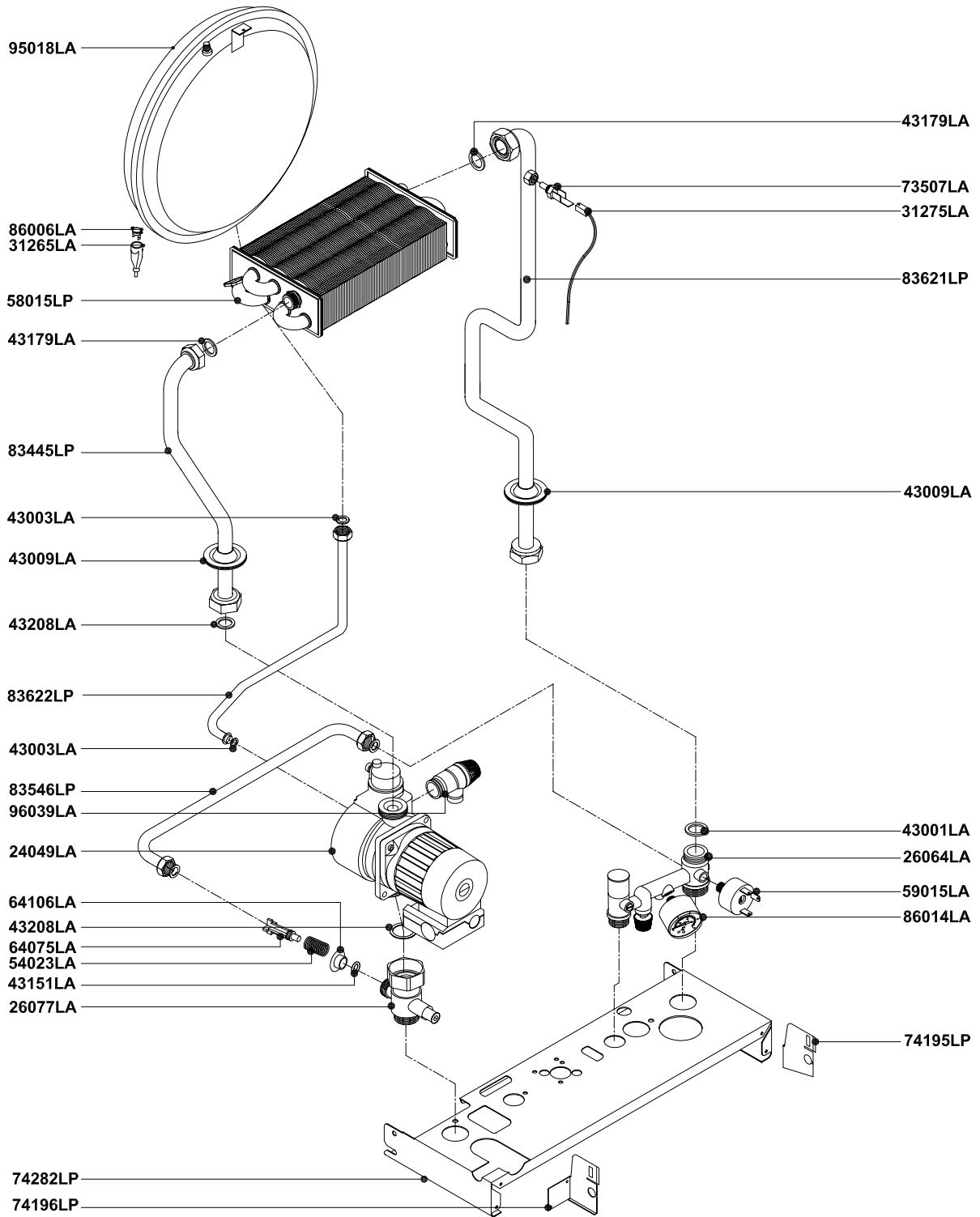


Pos.	Code	Description:		U.M.	Qt.
		Description:	Date: 01.02.2005	A991A112B301	methane
		<b>Only heating wall hung boiler - Spare parts</b>	Scale: —	A991B112B301	L.P.G.
		<b>FRAME and CASING COMPONENTS</b>	Department: tecnico		
		Object / model:	Designed by:		heavy oil
		<b>mod. RS 24 E</b>	Controlled by:		
		<b>Only heating</b>	Approved by:	Sheet no.:	<b>B0415_AE1</b>
					
<small>ALL DESCRIPTIONS AND ILLUSTRATIONS CONTAINED IN THIS LEAFLET HAVE BEEN CAREFULLY PREPARED BUT WE RESERVE THE RIGHT TO MAKE CHANGES AND IMPROVEMENTS IN OUR PRODUCTS WHICH MAY AFFECT THE ACCURACY OF THE INFORMATION CONTAINED IN THIS LEAFLET, E + 0E ALL RIGHTS RESERVED. NO PART OF THIS DOCUMENT MAY BE REPRODUCED, SAVED IN STORAGE SYSTEMS OR TRANSMITTED IN ANY FORM OR BY ANY MEANS, WHETHER ELECTRONIC, MECHANICAL, PHOTOCOPIING, RECORDING OR OTHERS, WITHOUT THE MANUFACTURERS PRIOR AUTHORISATION IN WRITING.</small>					

Rev.

Description

Date



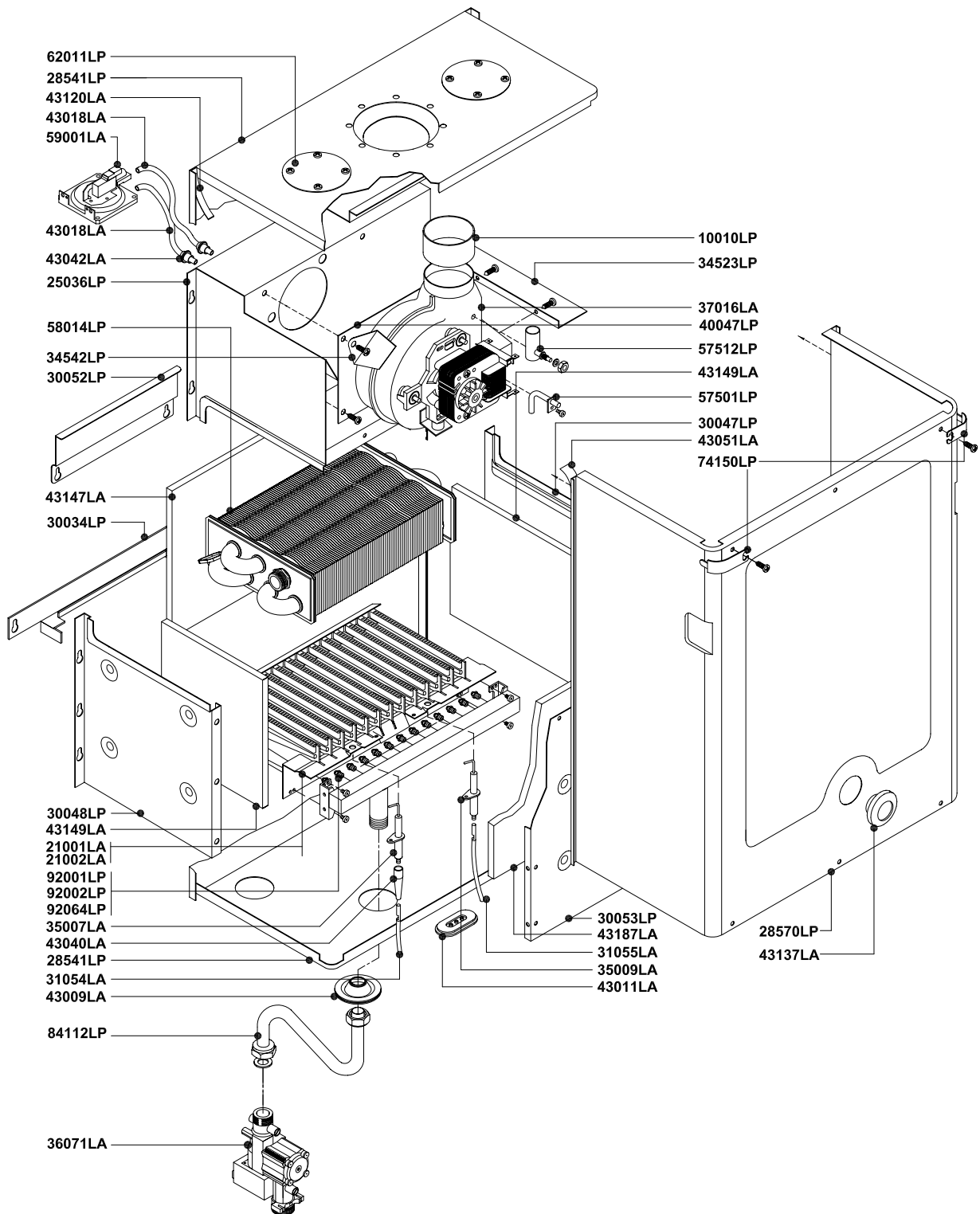
Pos.	Code	Description:		U.M.	Qt.
		Description:	Date: 01.02.2005	A991A112B301	methane
		<b>Only heating wall hung boiler - spare parts</b>	Scale: —	A991B112B301	L.P.G.
		<b>HYDRAULIC SYSTEM</b>	Department: tecnico		
		Object / model:	Designed by:		heavy oil
		<b>mod. RS 24 E</b>	Controlled by:		
		<i>Only heating</i>	Approved by:	Sheet no.:	<b>B0416_AE1</b>
<small>ALL DESCRIPTIONS AND ILLUSTRATIONS CONTAINED IN THIS LEAFLET HAVE BEEN CAREFULLY PREPARED BUT WE RESERVE THE RIGHT TO MAKE CHANGES AND IMPROVEMENTS IN OUR PRODUCTS WHICH MAY AFFECT THE ACCURACY OF THE INFORMATION CONTAINED IN THIS LEAFLET, E + OE ALL RIGHTS RESERVED. NO PART OF THIS DOCUMENT MAY BE REPRODUCED, SAVED IN STORAGE SYSTEMS OR TRANSMITTED IN ANY FORM OR BY ANY MEANS, WHETHER ELECTRONIC, MECHANICAL, PHOTOCOPIING, RECORDING OR OTHERS, WITHOUT THE MANUFACTURERS PRIOR AUTHORISATION IN WRITING.</small>					



Rev.

Description

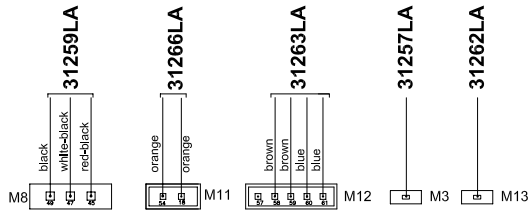
Date



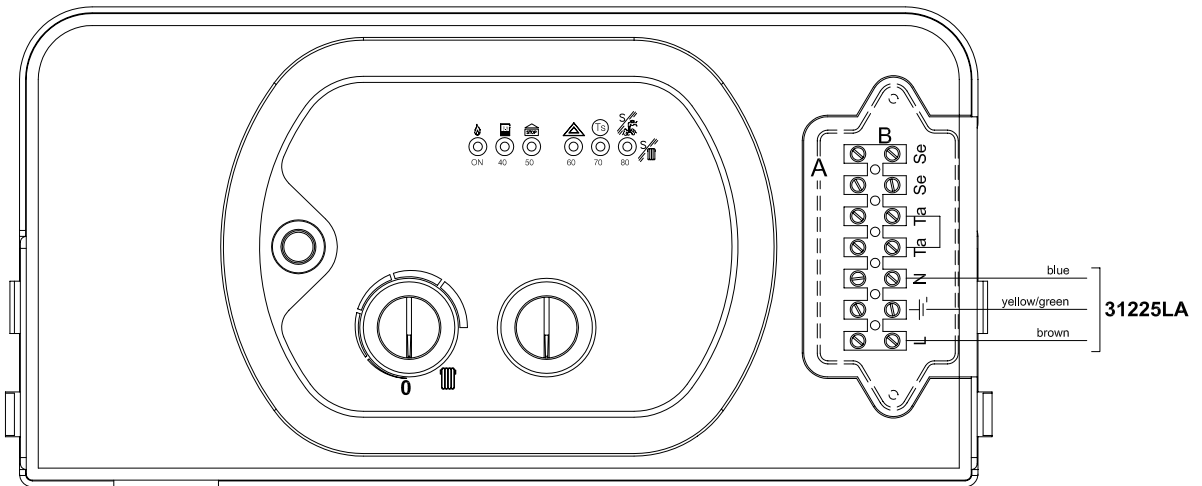
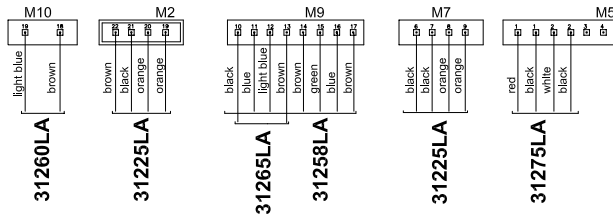
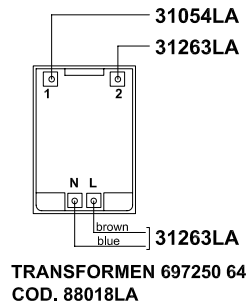
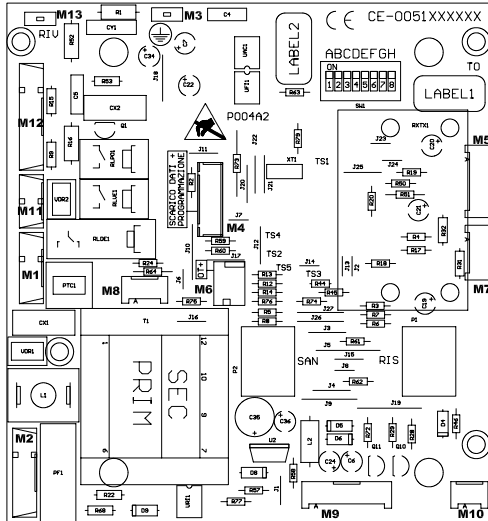
Pos.	Code	Description:		U.M.	Qt.
		Description:	Date: 01.02.2005	A991A112B301	methane
		<b>Only heating wall hung boiler - spare parts</b>	Scale: —	A991B112B301	L.P.G.
		<b>THERMAL SYSTEM</b>	Department: tecnico		
		Object / model:	Designed by:		heavy oil
		<b>mod. RS 24 E</b>	Controlled by:		
		<i>Only heating</i>	Approved by:	Sheet no.:	<b>B0417_AE1</b>
<small>ALL DESCRIPTIONS AND ILLUSTRATIONS CONTAINED IN THIS LEAFLET HAVE BEEN CAREFULLY PREPARED BUT WE RESERVE THE RIGHT TO MAKE CHANGES AND IMPROVEMENTS IN OUR PRODUCTS WHICH MAY AFFECT THE ACCURACY OF THE INFORMATION CONTAINED IN THIS LEAFLET, E + OE ALL RIGHTS RESERVED. NO PART OF THIS DOCUMENT MAY BE REPRODUCED, SAVED IN STORAGE SYSTEMS OR TRANSMITTED IN ANY FORM OR BY ANY MEANS, WHETHER ELECTRONIC, MECHANICAL, PHOTOCOPIING, RECORDING OR OTHERS, WITHOUT THE MANUFACTURER'S PRIOR AUTHORISATION IN WRITING.</small>					



RADIANT BRUCIATORI S.p.A.



**PRINTED CIRCUIT BOARD SM30001 (COD. 76666LA)**



<b>Pos.</b>	<b>Code</b>	<b>Description:</b>	<b>U.M.</b>	<b>Qt.</b>
		<b>Description:</b>	<b>Date:</b> 01.02.2005	A991A112B301 methane
		<b>Only heating wall hung boiler - spare parts</b>	<b>Scale:</b> —	A991B112B301 L.P.G.
		<b>ELECTRIC SYSTEM</b>	<b>Department:</b> tecnico	
		<b>Object / model:</b>	<b>Designed by:</b>	heavy oil
		<b>mod. RS 24 E</b>	<b>Controlled by:</b>	
		<b>Only heating</b>	<b>Approved by:</b>	Sheet no.: <b>B0418_AE1</b>
<small>RADIANT BRUCIATORI S.p.A.</small>				
<small>ALL DESCRIPTIONS AND ILLUSTRATIONS CONTAINED IN THIS LEAFLET HAVE BEEN CAREFULLY PREPARED BUT WE RESERVE THE RIGHT TO MAKE CHANGES AND IMPROVEMENTS IN OUR PRODUCTS WHICH MAY AFFECT THE ACCURACY OF THE INFORMATION CONTAINED IN THIS LEAFLET. E + OE ALL RIGHTS RESERVED. NO PART OF THIS DOCUMENT MAY BE REPRODUCED, STORED IN STORAGE SYSTEMS OR TRANSMITTED IN ANY FORM OR BY ANY MEANS, WHETHER ELECTRONIC, MECHANICAL, PHOTOCOPIING, RECORDING OR OTHERS, WITHOUT THE MANUFACTURER'S PRIOR AUTHORIZATION IN WRITING.</small>				