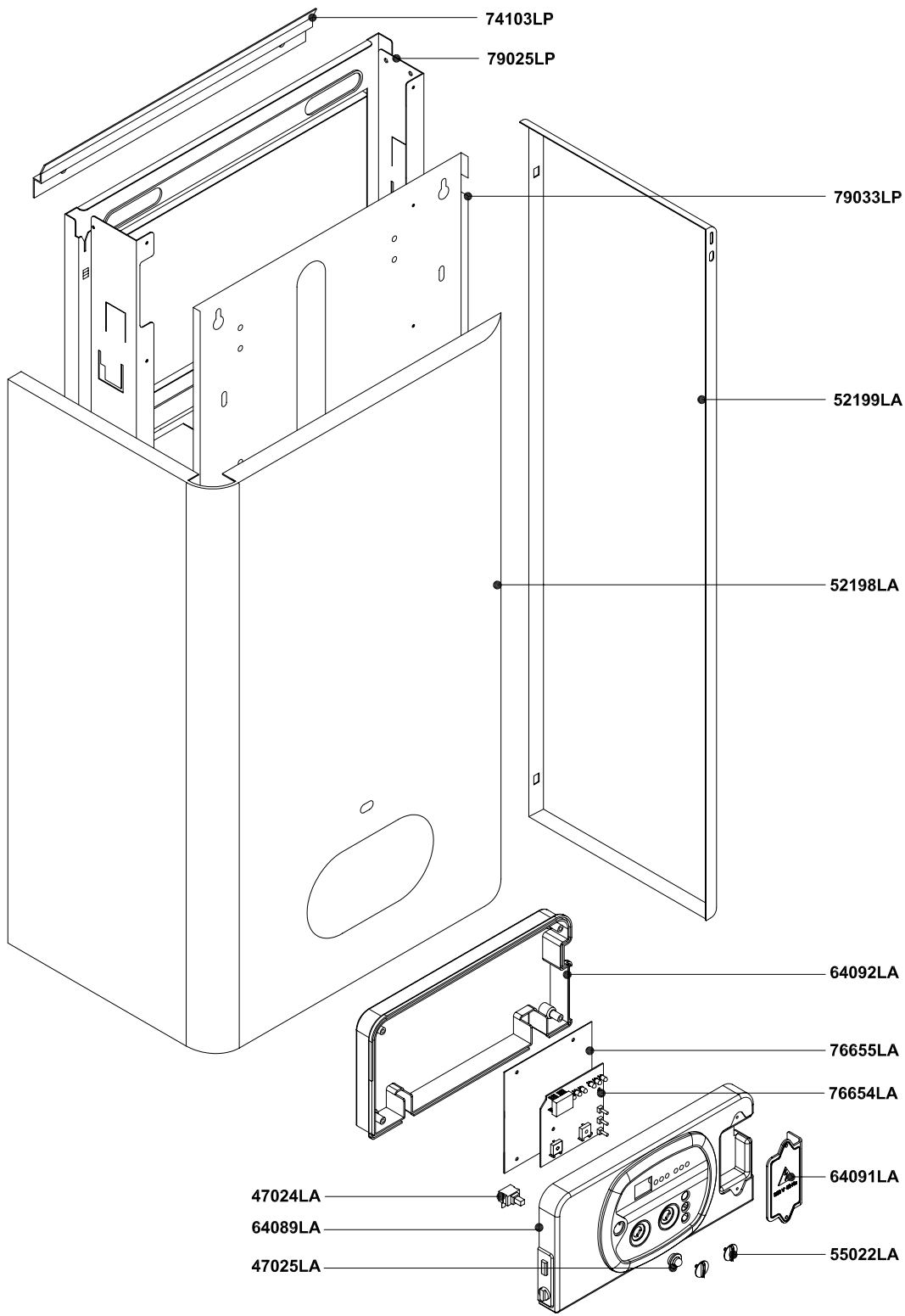


Rev.	Description	Date
------	-------------	------



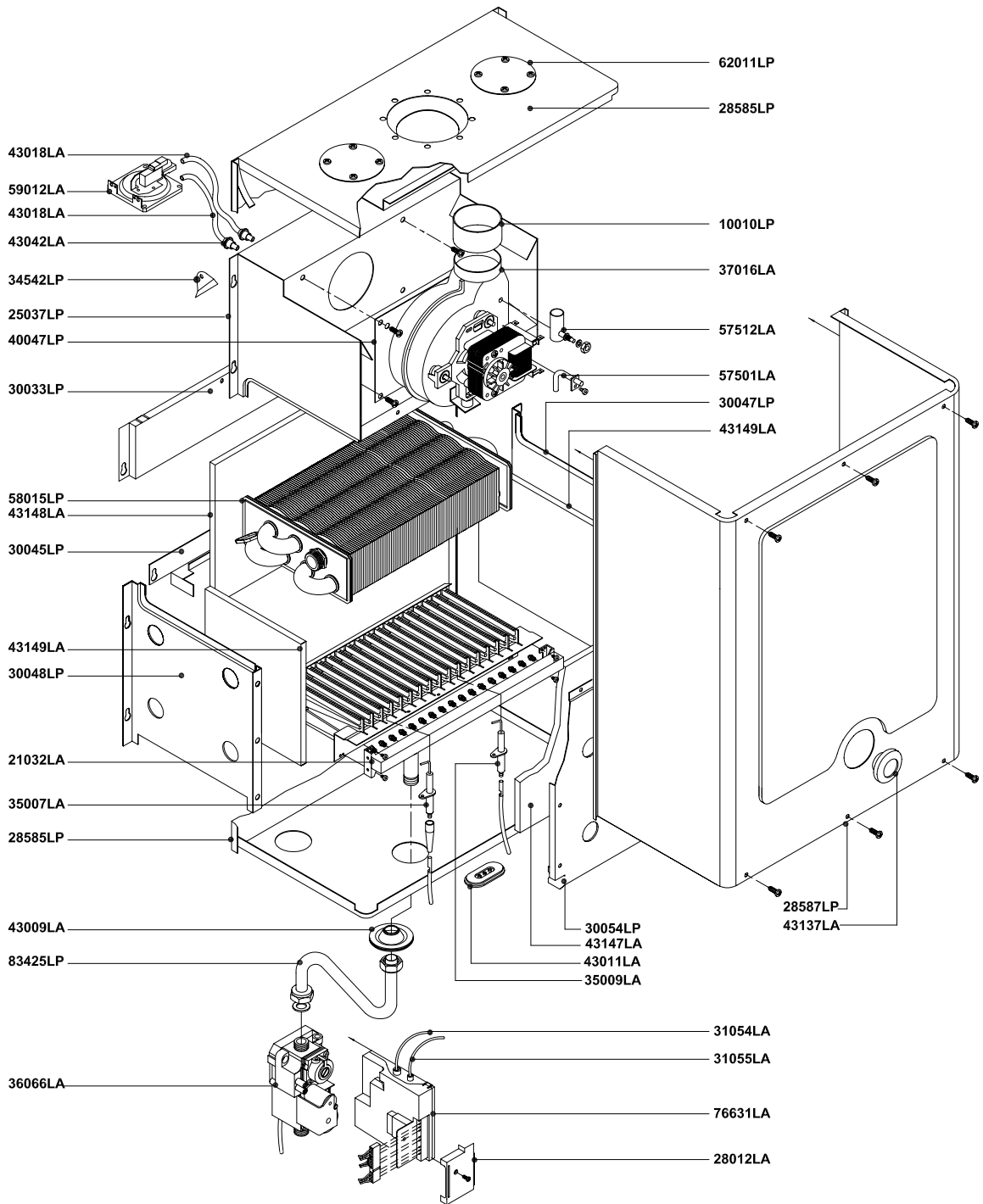
Pos.	Code	Description:		U.M.	Qt.
		Description:	Date: 08.06.2004	A991A712B401	methane
		<b>Wall hung boiler - Spare parts</b>	Scale: --	A991B712B401	L.P.G.
		<b>FRAME and CASING COMPONENTS</b>	Department: tecnico		
		Object / model:	Designed by:		heavy oil
		mod. <b>RS 30 E/B</b>	Controlled by:		
		Room sealed - electronic ignition	Approved by:	Sheet no.:	<b>B0351_AE1</b>
<small>ALL DESCRIPTIONS AND ILLUSTRATIONS CONTAINED IN THIS LEAFLET HAVE BEEN CAREFULLY PREPARED BUT WE RESERVE THE RIGHT TO MAKE CHANGES AND IMPROVEMENTS IN OUR PRODUCTS WHICH MAY AFFECT THE ACCURACY OF THE INFORMATION CONTAINED IN THIS LEAFLET, E + OE ALL RIGHTS RESERVED. NO PART OF THIS DOCUMENT MAY BE REPRODUCED, SAVED IN STORAGE SYSTEMS OR TRANSMITTED IN ANY FORM OR BY ANY MEANS, WHETHER ELECTRONIC, MECHANICAL, PHOTOCOPIING, RECORDING OR OTHERS, WITHOUT THE MANUFACTURER'S PRIOR AUTHORISATION IN WRITING.</small>					



RADIANT BRUCIATORI S.p.A.

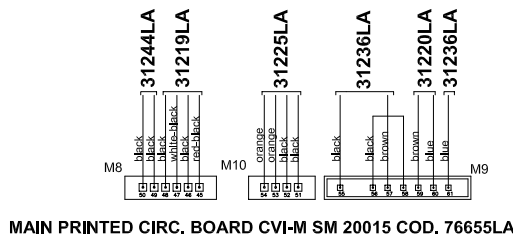


Rev.	Description	Date
------	-------------	------

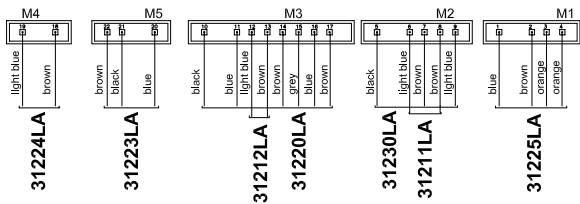
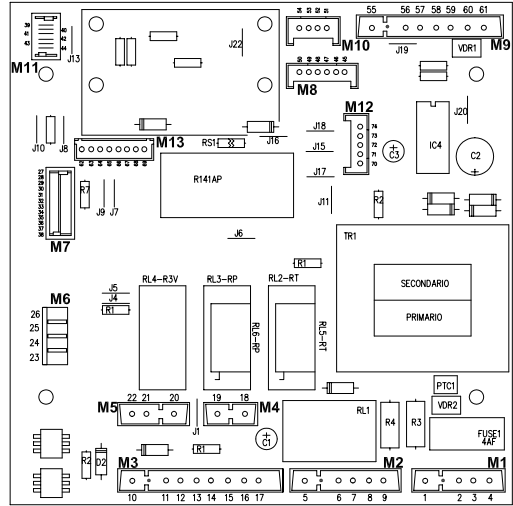


Pos.	Code	Description:		U.M.	Qt.
		Description:	Date: 08.06.2004	A991A712B401	methane
		<b>Wall hung boiler - Spare parts</b>	Scale: —	A991B712B401	L.P.G.
		<b>THERMAL SYSTEM</b>	Department: tecnico		
		Object / model:	Designed by:		heavy oil
		mod. <b>RS 30 E/B</b>	Controlled by:		
		Room sealed - electronic ignition	Approved by:	Sheet no.:	<b>B0353_AE1</b>
<small>ALL DESCRIPTIONS AND ILLUSTRATIONS CONTAINED IN THIS LEAFLET HAVE BEEN CAREFULLY PREPARED BUT WE RESERVE THE RIGHT TO MAKE CHANGES AND IMPROVEMENTS IN OUR PRODUCTS WHICH MAY AFFECT THE ACCURACY OF THE INFORMATION CONTAINED IN THIS LEAFLET, E + OE ALL RIGHTS RESERVED. NO PART OF THIS DOCUMENT MAY BE REPRODUCED, SAVED IN STORAGE SYSTEMS OR TRANSMITTED IN ANY FORM OR BY ANY MEANS, WHETHER ELECTRONIC, MECHANICAL, PHOTOCOPIING, RECORDING OR OTHERS, WITHOUT THE MANUFACTURERS PRIOR AUTHORISATION IN WRITING.</small>					

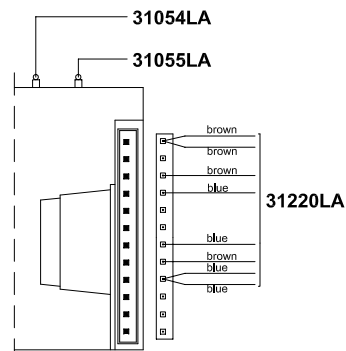
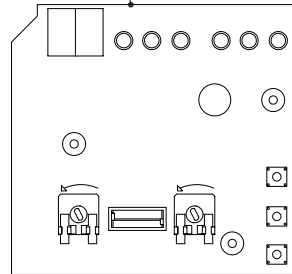




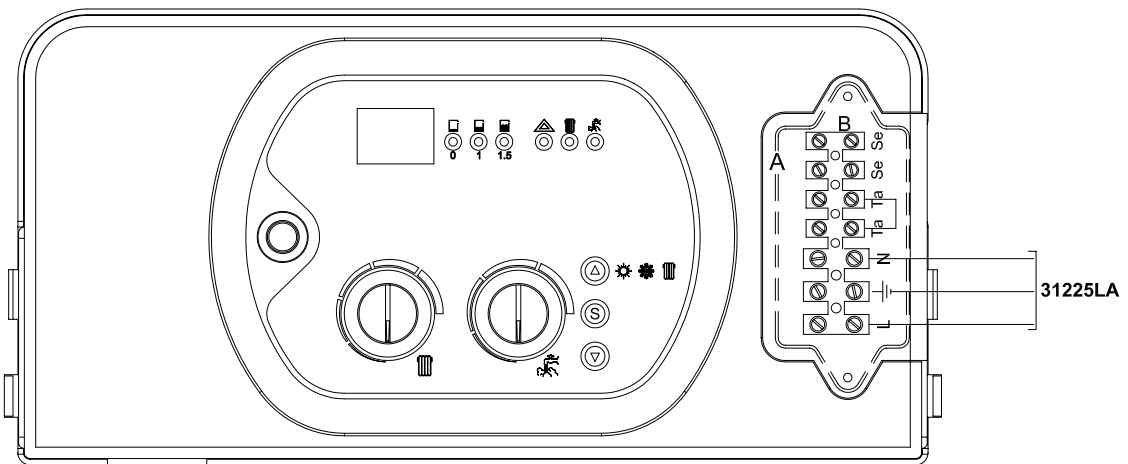
MAIN PRINTED CIRC. BOARD CVI-M SM 20015 COD. 76655LA



DISPLAY DIGITAL BOARD 2000 SKO6206  
76654LA



ELECTRONIC IGNITION BOARD  
S4565QM1012 code 76631LA



Pos.	Code	Description:	U.M.	Qt.
		Description: <b>Wall hung boiler - Spare parts</b> <b>ELECTRIC SYSTEM</b>		
		Object / model: <b>mod. RS 30 E/B</b> Room sealed - electronic ignition		
		Date: 08.06.2004	A991A712B401	methane
		Scale: —	A991B712B401	L.P.G.
		Department: tecnico		
		Designed by:		heavy oil
		Controlled by:		
		Approved by:	Sheet no.:	<b>B0354_AE1</b>

ALL DESCRIPTIONS AND ILLUSTRATIONS CONTAINED IN THIS LEAFLET HAVE BEEN CAREFULLY PREPARED BUT WE RESERVE THE RIGHT TO MAKE CHANGES AND IMPROVEMENTS IN OUR PRODUCTS WHICH MAY AFFECT THE ACCURACY OF THE INFORMATION CONTAINED IN THIS LEAFLET, E + OE ALL RIGHTS RESERVED. NO PART OF THIS DOCUMENT MAY BE REPRODUCED, SAVED IN STORAGE SYSTEMS OR TRANSMITTED IN ANY FORM OR BY ANY MEANS, WHETHER ELECTRONIC, MECHANICAL, PHOTOCOPIING, RECORDING OR OTHERS, WITHOUT THE MANUFACTURER'S PRIOR AUTHORIZATION IN WRITING.