
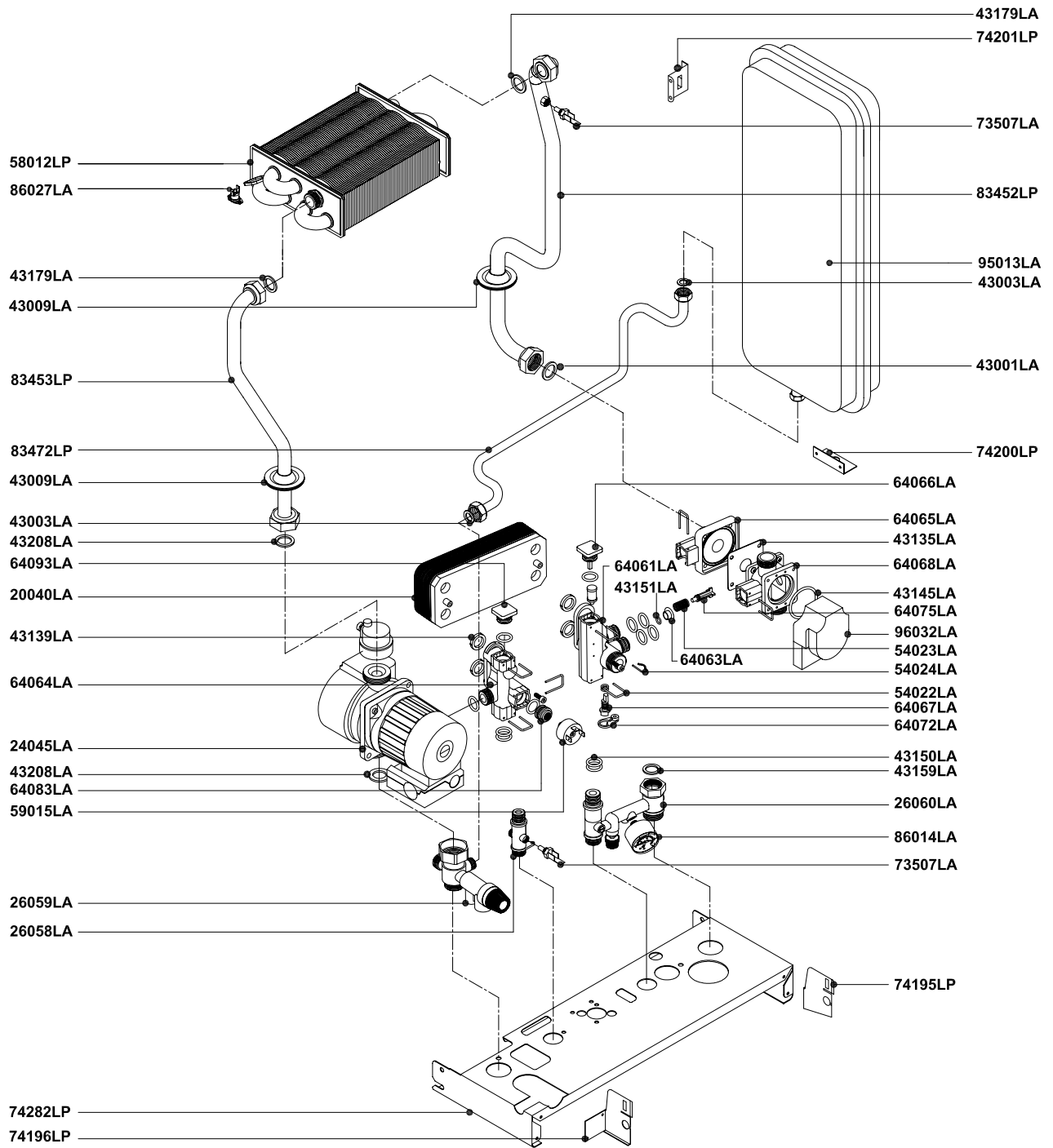


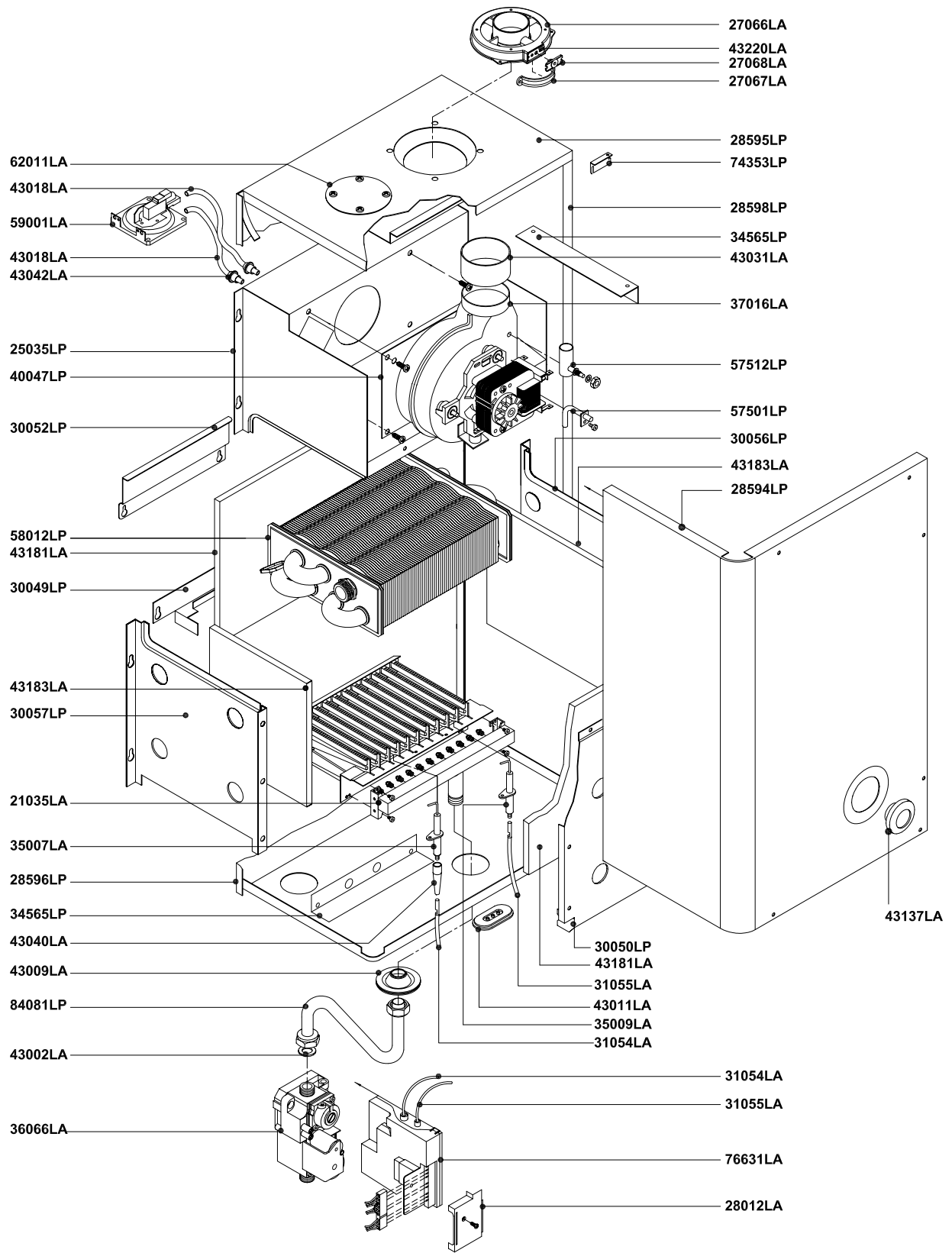
Pos.	Code	Description:		U.M.	Qt.
 RADIANT BRUCIATORI S.p.A.		Description: Wall hung boiler - Spare parts FRAME + CASING COMPONENTS Object / model: mod. RSF 20 E/MICROSLIM room sealed - electronic ignition	Date: 06.07.2003	A991A212B101	methane
			Scale:	A991B212B101	L.P.G.
			Department: tecnico		
			Designed by:		heavy oil
			Controlled by:		
Approved by:	Sheet no.:	B0207_AE1			
<small>ALL DESCRIPTIONS AND ILLUSTRATIONS CONTAINED IN THIS LEAFLET HAVE BEEN CAREFULLY PREPARED BUT WE RESERVE THE RIGHT TO MAKE CHANGES AND IMPROVEMENTS IN OUR PRODUCTS WHICH MAY AFFECT THE ACCURACY OF THE INFORMATION CONTAINED IN THIS LEAFLET. E + OE ALL RIGHTS RESERVED. NO PART OF THIS DOCUMENT MAY BE REPRODUCED, SAVED IN STORAGE SYSTEMS OR TRANSMITTED IN ANY FORM OR BY ANY MEANS, WHETHER ELECTRONIC, MECHANICAL, PHOTOCOPIING, RECORDING OR OTHERS, WITHOUT THE MANUFACTURERS PRIOR AUTHORISATION IN WRITING.</small>					

Rev.	Description	Date
------	-------------	------



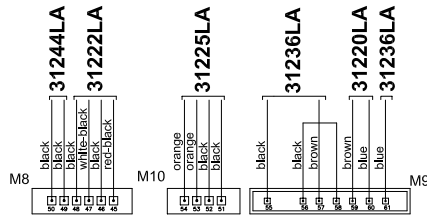
Pos.	Code	Description:		U.M.	Qt.
		Description:	Date: 06.07.2003	A991A212B101	methane
		Wall hung boiler - Spare parts	Scale:	A991B212B101	L.P.G.
		HYDRAULIC SYSTEM	Department: tecnico		
		Object / model:	Designed by:		heavy oil
		mod. RSF 20 E/MICROSLIM	Controlled by:		
		<i>room sealed - electronic ignition</i>	Approved by:	Sheet no.:	B0208_AE1
<small>ALL DESCRIPTIONS AND ILLUSTRATIONS CONTAINED IN THIS LEAFLET HAVE BEEN CAREFULLY PREPARED BUT WE RESERVE THE RIGHT TO MAKE CHANGES AND IMPROVEMENTS IN OUR PRODUCTS WHICH MAY AFFECT THE ACCURACY OF THE INFORMATION CONTAINED IN THIS LEAFLET, E + OE ALL RIGHTS RESERVED. NO PART OF THIS DOCUMENT MAY BE REPRODUCED, SAVED IN STORAGE SYSTEMS OR TRANSMITTED IN ANY FORM OR BY ANY MEANS, WHETHER ELECTRONIC, MECHANICAL, PHOTOCOPIING, RECORDING OR OTHERS, WITHOUT THE MANUFACTURERS PRIOR AUTHORISATION IN WRITING.</small>					

Rev.	Description	Date
------	-------------	------

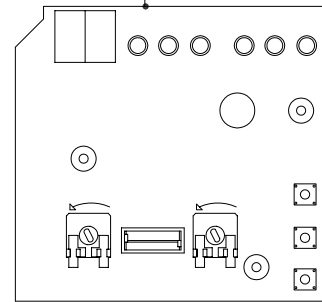


Pos.	Code	Description:	U.M.	Qt.
		Description:		
		Wall hung boiler - Spare parts		
		THERMAL SYSTEM		
		Object / model:		
		mod. RSF 20 E/MICROSLIM		
		<i>room sealed - electronic ignition</i>		
		Date: 06.07.2003	A991A212B101	methane
		Scale:	A991B212B101	L.P.G.
		Department: tecnico		
		Designed by:		heavy oil
		Controlled by:		
		Approved by:	Sheet no.:	B0209_AE1
<small>ALL DESCRIPTIONS AND ILLUSTRATIONS CONTAINED IN THIS LEAFLET HAVE BEEN CAREFULLY PREPARED BUT WE RESERVE THE RIGHT TO MAKE CHANGES AND IMPROVEMENTS IN OUR PRODUCTS WHICH MAY AFFECT THE ACCURACY OF THE INFORMATION CONTAINED IN THIS LEAFLET, E + OE ALL RIGHTS RESERVED. NO PART OF THIS DOCUMENT MAY BE REPRODUCED, SAVED IN STORAGE SYSTEMS OR TRANSMITTED IN ANY FORM OR BY ANY MEANS, WHETHER ELECTRONIC, MECHANICAL, PHOTOCOPIING, RECORDING OR OTHERS, WITHOUT THE MANUFACTURER'S PRIOR AUTHORIZATION IN WRITING.</small>				

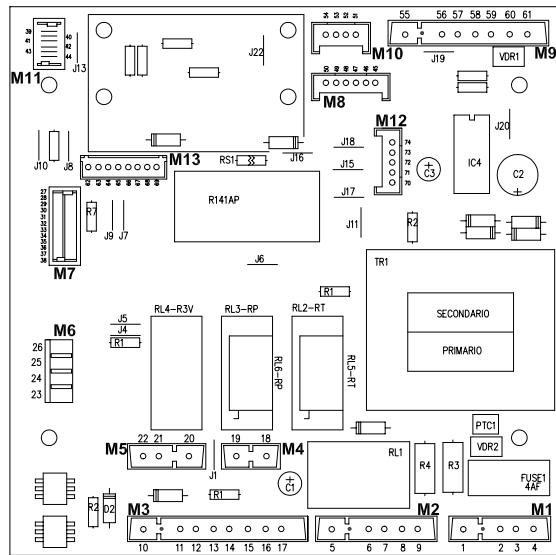




DISPLAY DIGITAL BOARD 2000 SKO6206
76654LA

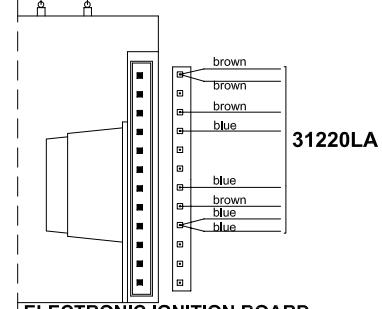


MAIN PRINTED CIRC. BOARD CVI-M SM 20015 COD. 76655LA

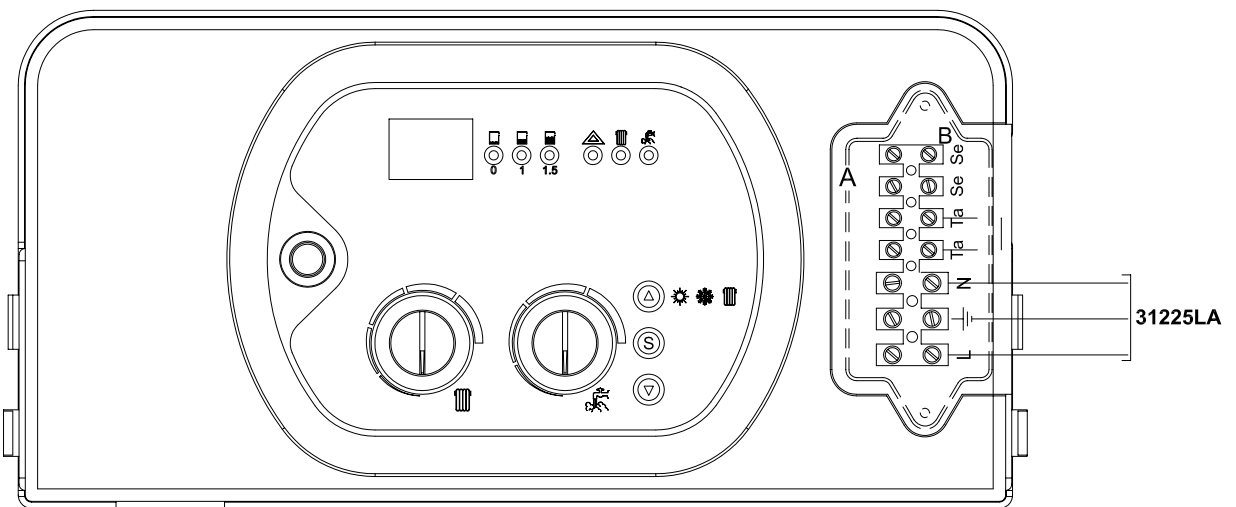
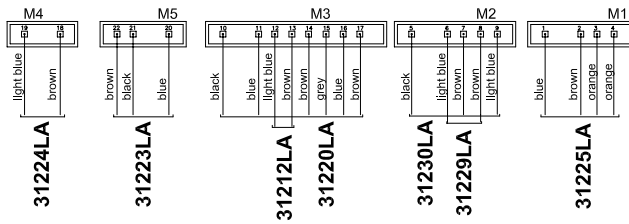


31054LA

31055LA



ELECTRONIC IGNITION BOARD
S4565QM1012 code 76631LA



Pos.	Code	Description:	U.M.	Qt.
		Description: Wall hung boiler - Spare parts ELECTRIC SYSTEM		
		Object / model: mod. RSF 20 E/MICROSLIM <i>room sealed - electronic ignition</i>		
		Date: 06.07.2003	A991A212B101	methane
		Scale:	A991B212B101	L.P.G.
		Department: tecnico		
		Designed by:		heavy oil
		Controlled by:		
		Approved by:	Sheet no.:	B0210_AE1

ALL DESCRIPTIONS AND ILLUSTRATIONS CONTAINED IN THIS LEAFLET HAVE BEEN CAREFULLY PREPARED BUT WE RESERVE THE RIGHT TO MAKE CHANGES AND IMPROVEMENTS IN OUR PRODUCTS WHICH MAY AFFECT THE ACCURACY OF THE INFORMATION CONTAINED IN THIS LEAFLET, E + OE ALL RIGHTS RESERVED. NO PART OF THIS DOCUMENT MAY BE REPRODUCED, SAID IN STORAGE SYSTEMS OR TRANSMITTED IN ANY FORM OR BY ANY MEANS, WHETHER ELECTRONIC, MECHANICAL, PHOTOCOPIING, RECORDING OR OTHERS, WITHOUT THE MANUFACTURER'S PRIOR AUTHORIZATION IN WRITING.