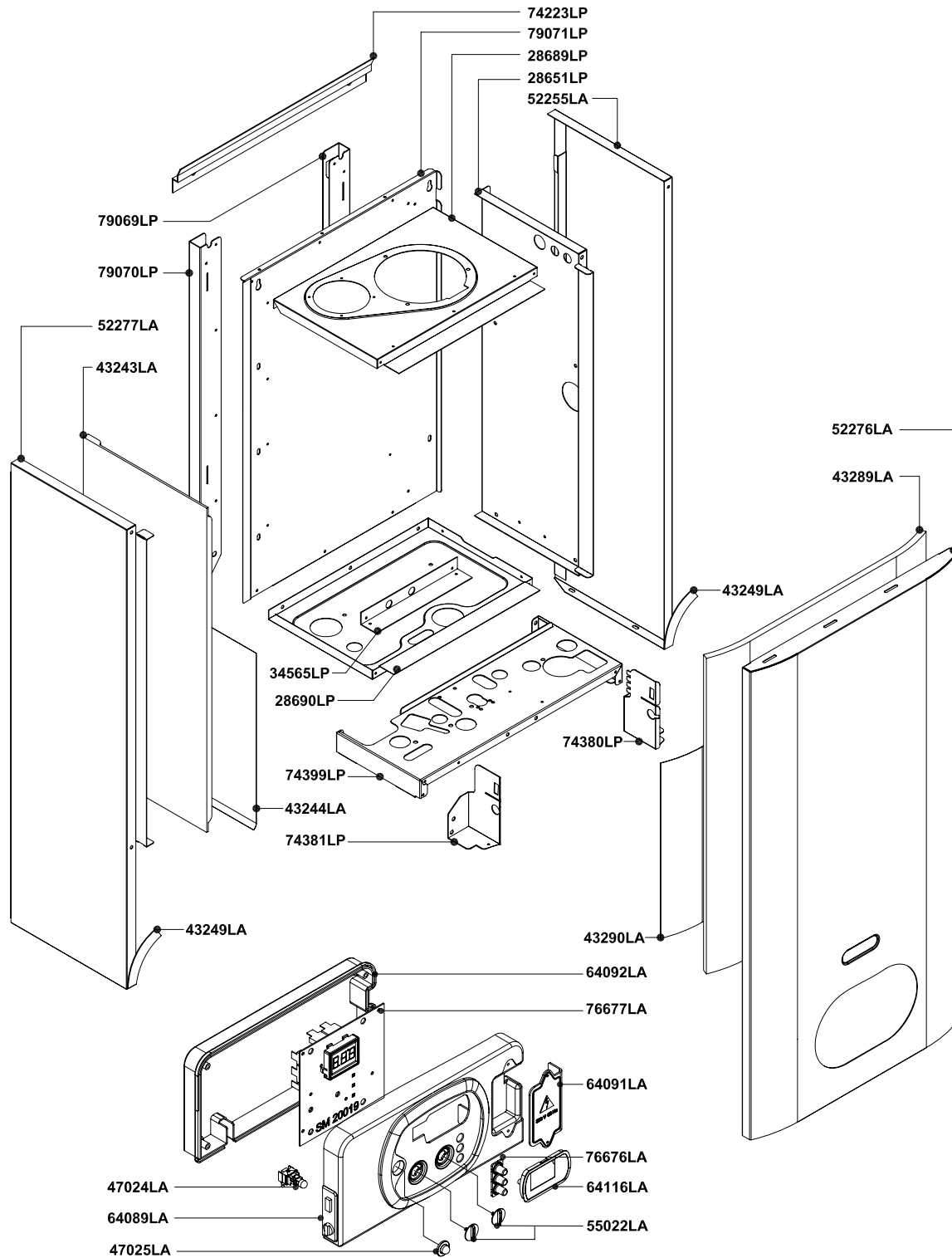


Rev.

Description

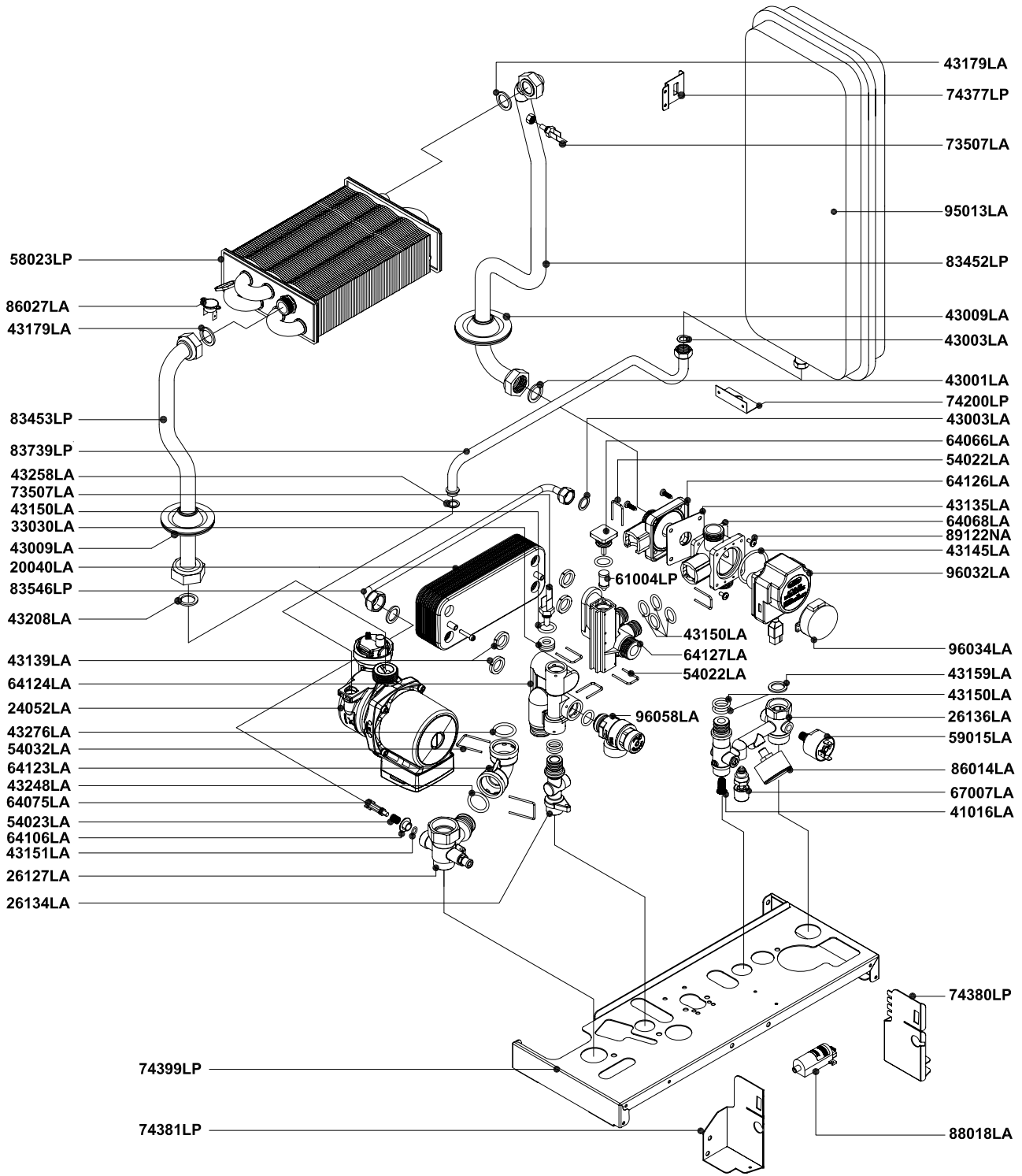
Date



Pos.	Code	Description:	U.M.	Qt.
		Description:		
		<b>Wall hung boiler - Spare parts</b>		
		<b>FRAME + CASING COMPONENTS</b>		
		Object / model:		
		<b>mod. RSF 20 E</b>		
		<i>room sealed - electronic ignition</i>		
		Date: 27.06.2007	A991A212E101	methane
		Scale:	A991B212E101	L.P.G.
		Department: tecnico		
		Designed by:		
		Controlled by:		heavy oil
		Approved by:	Sheet no.:	<b>B0639_AE1</b>

ALL DESCRIPTIONS AND ILLUSTRATIONS CONTAINED IN THIS LEAFLET HAVE BEEN CAREFULLY PREPARED BUT WE RESERVE THE RIGHT TO MAKE CHANGES AND IMPROVEMENTS IN OUR PRODUCTS WHICH MAY AFFECT THE ACCURACY OF THE INFORMATION CONTAINED IN THIS LEAFLET. E + OE ALL RIGHTS RESERVED. NO PART OF THIS DOCUMENT MAY BE REPRODUCED, SAVED IN STORAGE SYSTEMS OR TRANSMITTED IN ANY FORM OR BY ANY MEANS, WHETHER ELECTRONIC, MECHANICAL, PHOTOCOPIING, RECORDING OR OTHERS, WITHOUT THE MANUFACTURERS PRIOR AUTHORISATION IN WRITING.

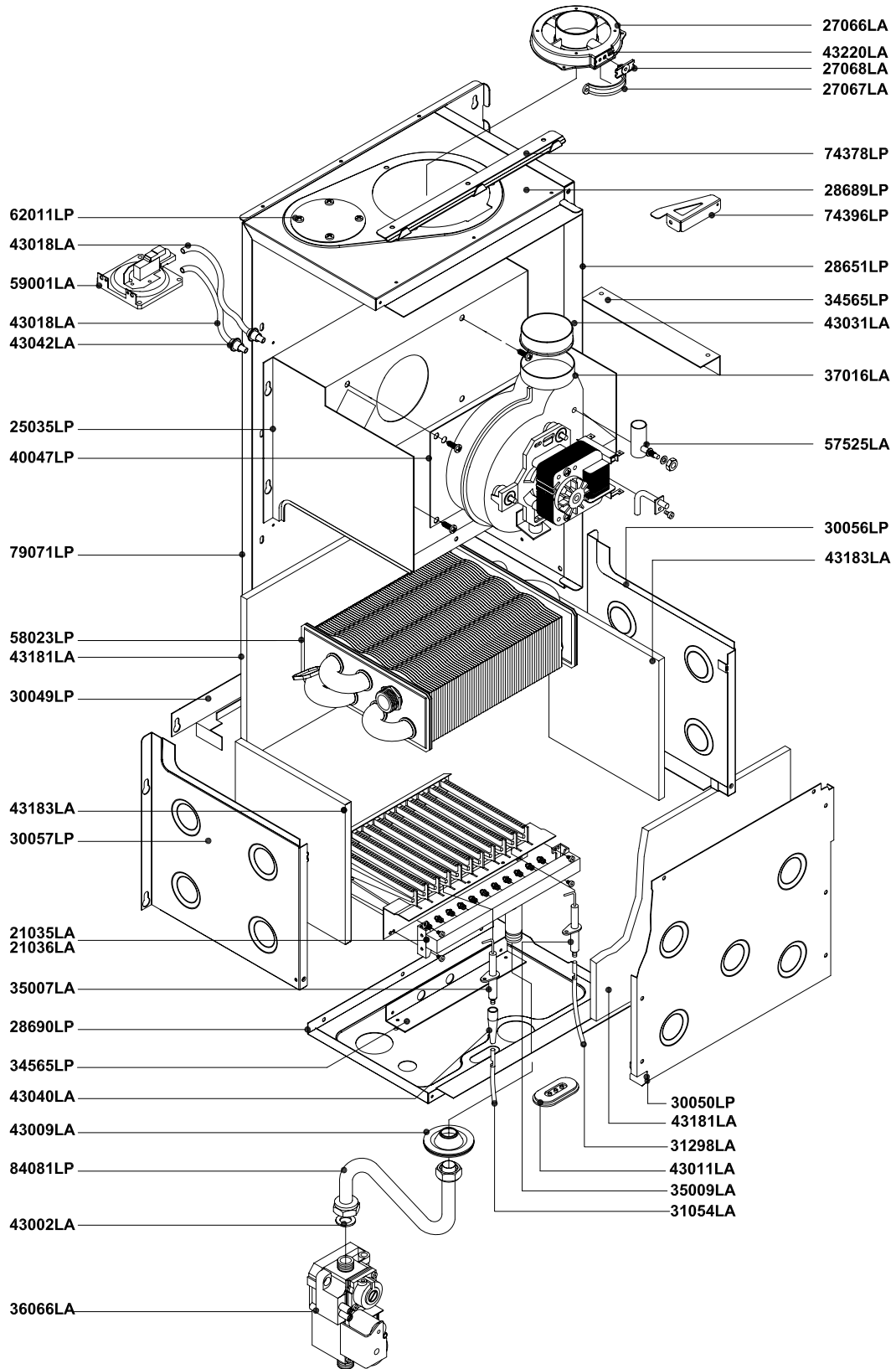
Rev.	Description	Date
------	-------------	------



Pos.	Code	Description:	U.M.	Qt.
		Description:	Date: 27.06.2007	A991A212E101 methane
		<b>Wall hung boiler - Spare parts</b>	Scale:	A991B212E101 L.P.G.
		<b>HYDRAULIC SYSTEM</b>	Department: tecnico	
		Object / model:	Designed by:	heavy oil
		<b>mod. RSF 20 E</b>	Controlled by:	
		<i>room sealed - electronic ignition</i>	Approved by:	Sheet no.: <b>B0640_AE1</b>
<small>ALL DESCRIPTIONS AND ILLUSTRATIONS CONTAINED IN THIS LEAFLET HAVE BEEN CAREFULLY PREPARED BUT WE RESERVE THE RIGHT TO MAKE CHANGES AND IMPROVEMENTS IN OUR PRODUCTS WHICH MAY AFFECT THE ACCURACY OF THE INFORMATION CONTAINED IN THIS LEAFLET, E + OE ALL RIGHTS RESERVED. NO PART OF THIS DOCUMENT MAY BE REPRODUCED, SAVED IN STORAGE SYSTEMS OR TRANSMITTED IN ANY FORM OR BY ANY MEANS, WHETHER ELECTRONIC, MECHANICAL, PHOTOCOPIING, RECORDING OR OTHERS, WITHOUT THE MANUFACTURER'S PRIOR AUTHORISATION IN WRITING.</small>				



RADIANT BRUCIATORI S.p.A.



Pos.	Code	Description:		U.M.	Qt.
		Description:	Date: 27.06.2007	A991A212E101	methane
		<b>Wall hung boiler - Spare parts</b>	Scale:	A991B212E101	L.P.G.
		<b>THERMAL SYSTEM</b>	Department: tecnico		
		Object / model:	Designed by:		heavy oil
		<b>mod. RSF 20 E</b>	Controlled by:		
		<i>room sealed - electronic ignition</i>	Approved by:	Sheet no.:	<b>B0641_AE1</b>
<small>ALL DESCRIPTIONS AND ILLUSTRATIONS CONTAINED IN THIS LEAFLET HAVE BEEN CAREFULLY PREPARED BUT WE RESERVE THE RIGHT TO MAKE CHANGES AND IMPROVEMENTS IN OUR PRODUCTS WHICH MAY AFFECT THE ACCURACY OF THE INFORMATION CONTAINED IN THIS LEAFLET, E + OE ALL RIGHTS RESERVED. NO PART OF THIS DOCUMENT MAY BE REPRODUCED, SAID IN STORAGE SYSTEMS OR TRANSMITTED IN ANY FORM OR BY ANY MEANS, WHETHER ELECTRONIC, MECHANICAL, PHOTOCOPIING, RECORDING OR OTHERS, WITHOUT THE MANUFACTURERS PRIOR AUTHORIZATION IN WRITING.</small>					



RADIANT BRUCIATORI S.p.A.

