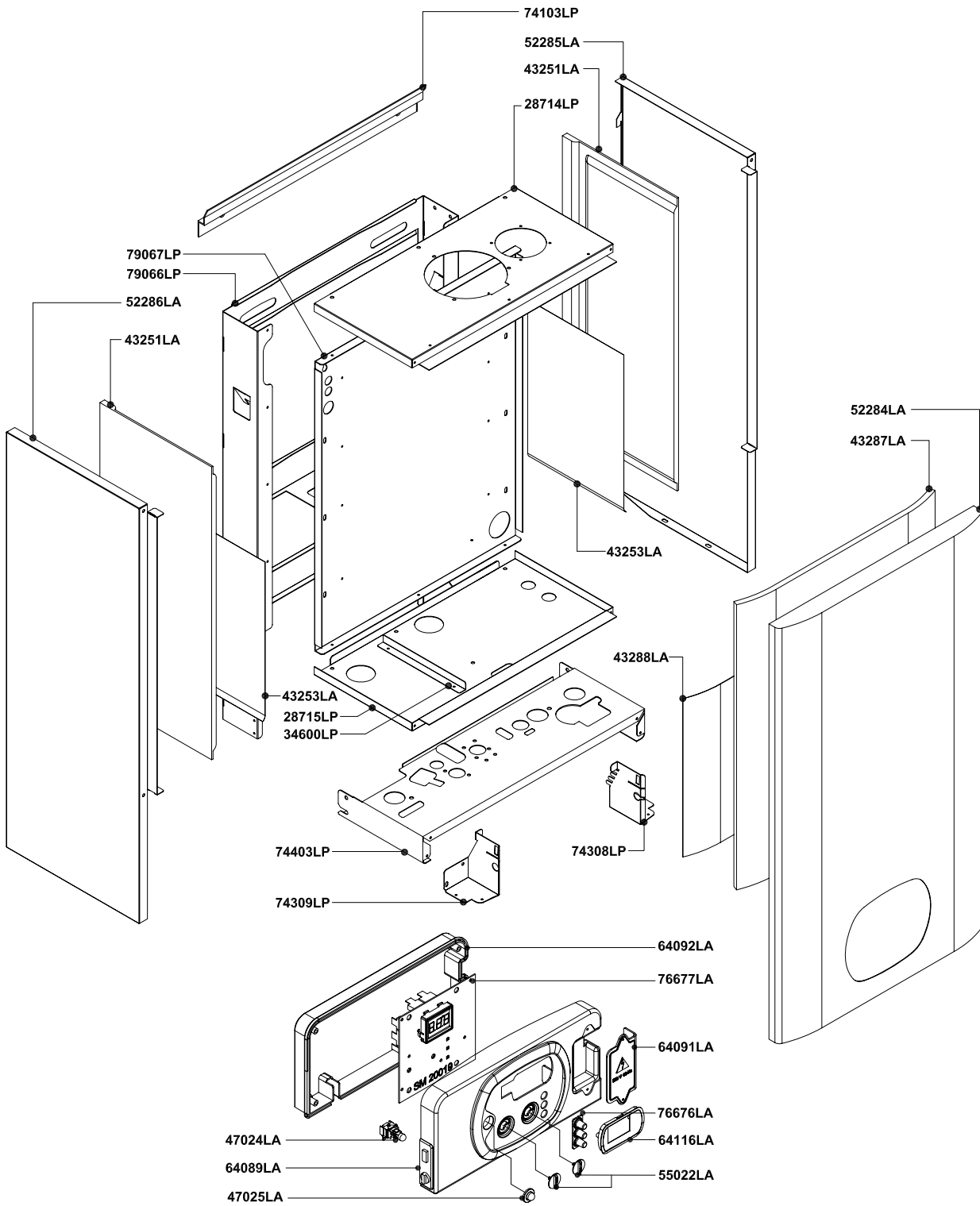


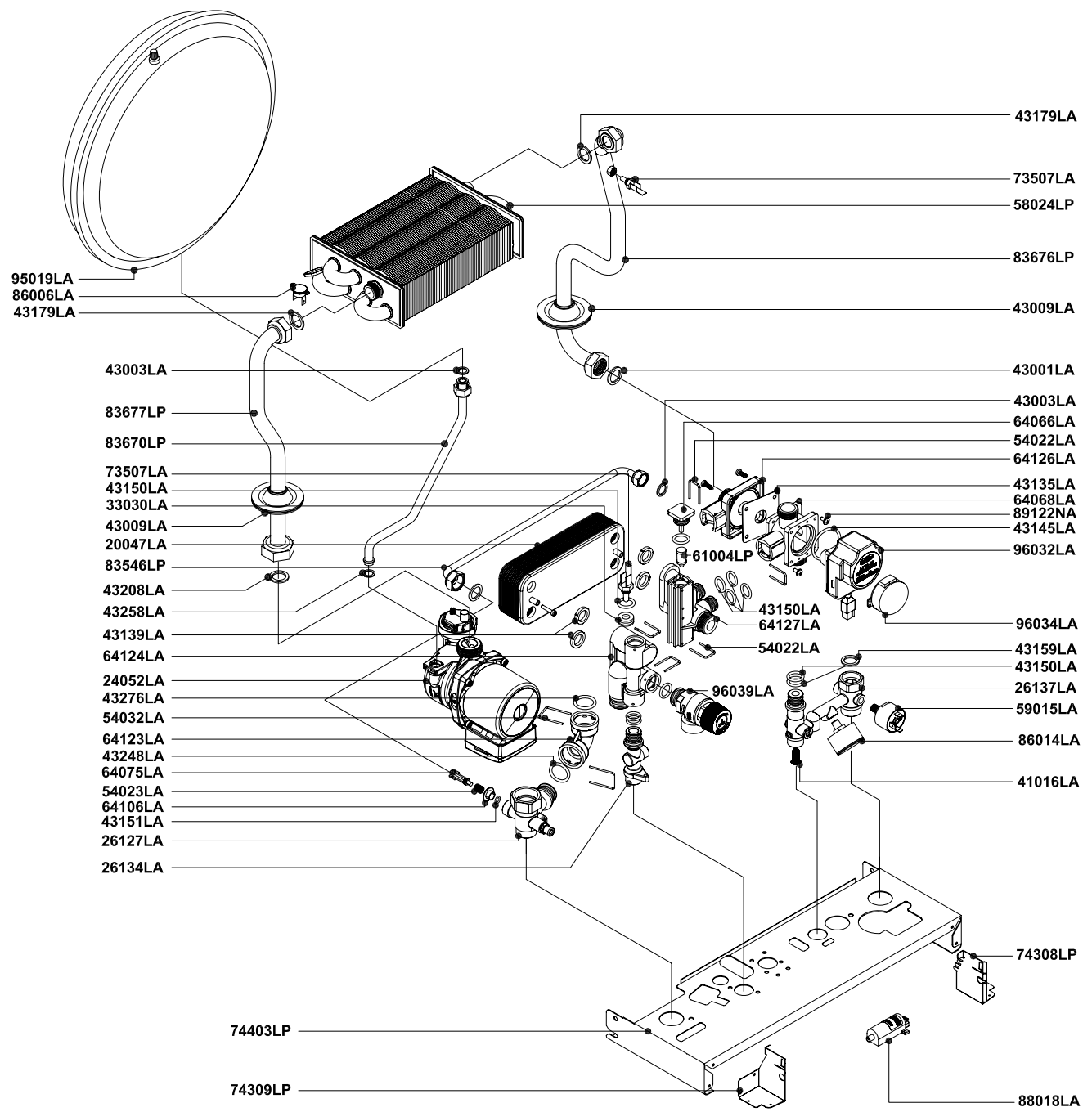
Rev.	Description	Date
------	-------------	------



Pos.	Code	Description:	U.M.	Qt.
		Description:	Date: 27.06.2007	A991A212E301 methane
		Wall hung boiler - Spare parts	Scale: --	A991B212E301 L.P.G.
		FRAME and CASING COMPONENTS	Department: tecnico	
		Object / model:	Designed by:	heavy oil
		mod. RSF 24 E	Controlled by:	
		Room sealed - electronic ignition	Approved by:	Sheet no.: B0643_AE1
<small>ALL DESCRIPTIONS AND ILLUSTRATIONS CONTAINED IN THIS LEAFLET HAVE BEEN CAREFULLY PREPARED BUT WE RESERVE THE RIGHT TO MAKE CHANGES AND IMPROVEMENTS IN OUR PRODUCTS WHICH MAY AFFECT THE ACCURACY OF THE INFORMATION CONTAINED IN THIS LEAFLET, E + OE ALL RIGHTS RESERVED. NO PART OF THIS DOCUMENT MAY BE REPRODUCED, SAVED IN STORAGE SYSTEMS OR TRANSMITTED IN ANY FORM OR BY ANY MEANS, WHETHER ELECTRONIC, MECHANICAL, PHOTOCOPIING, RECORDING OR OTHERS, WITHOUT THE MANUFACTURER'S PRIOR AUTHORISATION IN WRITING.</small>				



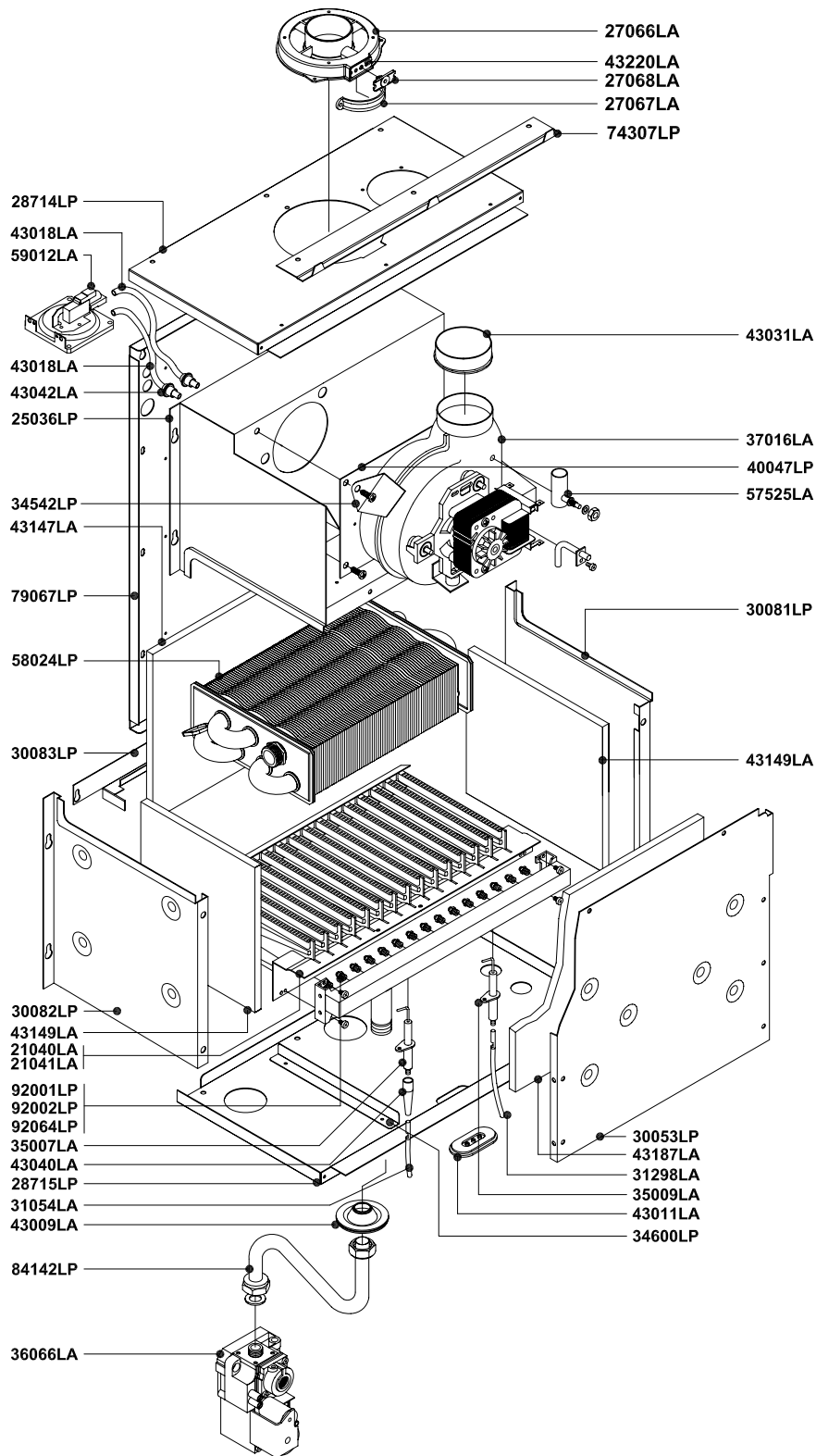
Rev.	Description	Date
------	-------------	------



Pos.	Code	Description:	U.M.	Qt.
		Description:	Date: 27.06.2007	A991A212E301 methane
		Wall hung boiler - Spare parts	Scale: --	A991B212E301 L.P.G.
		HYDRAULIC SYSTEM	Department: tecnico	
		Object / model:	Designed by:	heavy oil
		mod. RSF 24 E	Controlled by:	
		Room sealed - electronic ignition	Approved by:	Sheet no.: B0644_AE1
<small>ALL DESCRIPTIONS AND ILLUSTRATIONS CONTAINED IN THIS LEAFLET HAVE BEEN CAREFULLY PREPARED BUT WE RESERVE THE RIGHT TO MAKE CHANGES AND IMPROVEMENTS IN OUR PRODUCTS WHICH MAY AFFECT THE ACCURACY OF THE INFORMATION CONTAINED IN THIS LEAFLET, E + OE ALL RIGHTS RESERVED. NO PART OF THIS DOCUMENT MAY BE REPRODUCED, SAVED IN STORAGE SYSTEMS OR TRANSMITTED IN ANY FORM OR BY ANY MEANS, WHETHER ELECTRONIC, MECHANICAL, PHOTOCOPIING, RECORDING OR OTHERS, WITHOUT THE MANUFACTURER'S PRIOR AUTHORISATION IN WRITING.</small>				



RADIANT BRUCIATORI S.p.A.



Pos.	Code	Description:	U.M.	Qt.
		Description: Date: 27.06.2007 Scale: -- Department: tecnico Designed by: Controlled by: Approved by:	A991A212E301 A991B212E301	methane L.P.G. heavy oil
		Object / model: mod. RSF 24 E Room sealed - electronic ignition	Code no.:	Sheet no.: B0645_AE1
<p>RADIANT RADIANT BRUCIATORI S.p.A.</p> <p>ALL DESCRIPTIONS AND ILLUSTRATIONS CONTAINED IN THIS LEAFLET HAVE BEEN CAREFULLY PREPARED BUT WE RESERVE THE RIGHT TO MAKE CHANGES AND IMPROVEMENTS IN OUR PRODUCTS WHICH MAY AFFECT THE ACCURACY OF THE INFORMATION CONTAINED IN THIS LEAFLET, E + OE ALL RIGHTS RESERVED. NO PART OF THIS DOCUMENT MAY BE REPRODUCED, SAVED IN STORAGE SYSTEMS OR TRANSMITTED IN ANY FORM OR BY ANY MEANS, WHETHER ELECTRONIC, MECHANICAL, PHOTOCOPIING, RECORDING OR OTHERS, WITHOUT THE MANUFACTURERS PRIOR AUTHORISATION IN WRITING.</p>				

