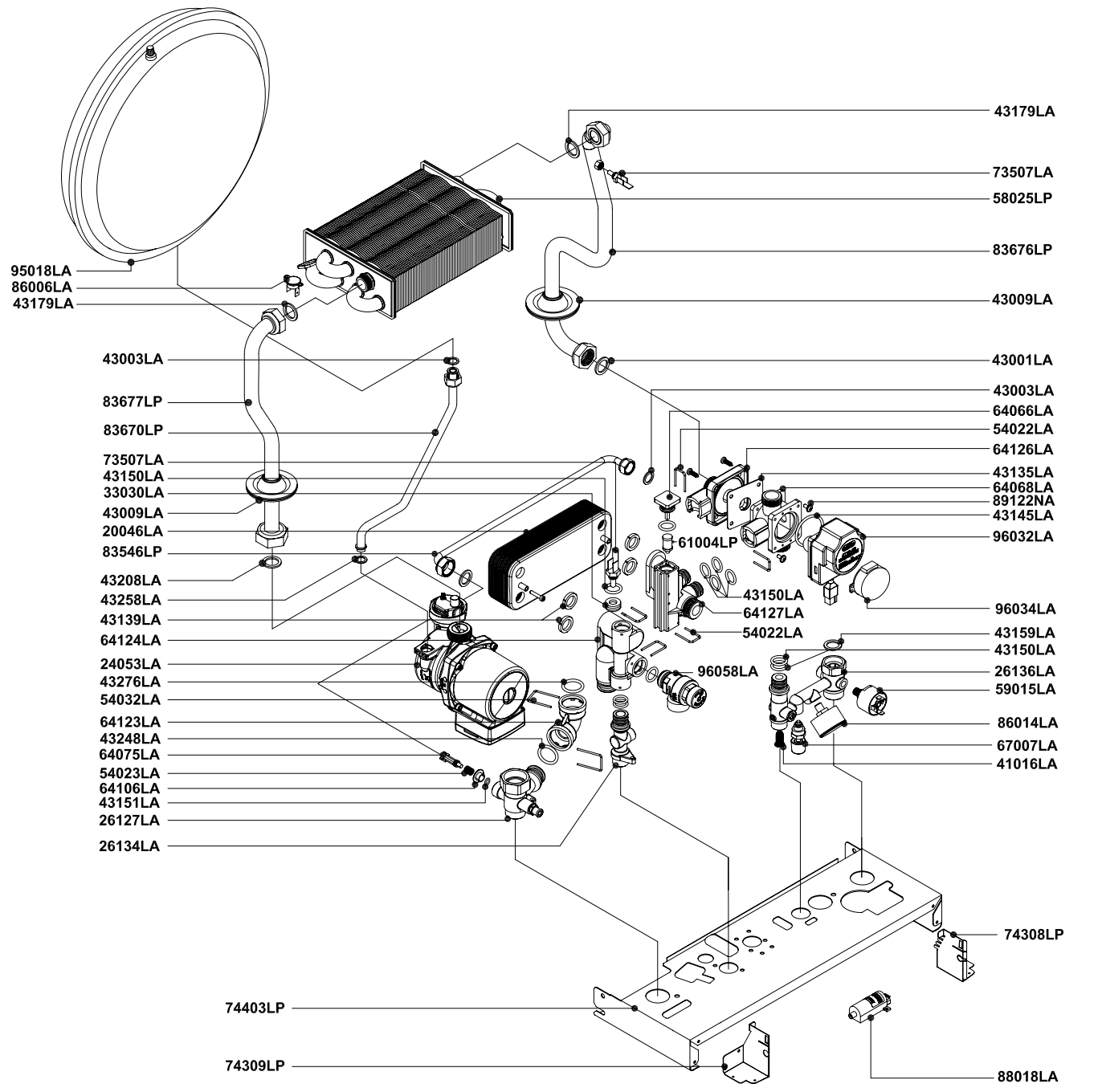



Pos.	Code	Description:	U.M.	Qt.
		Description:	Date: 27.06.2007	A991A212E301 methane
		Wall hung boiler - Spare parts	Scale: --	A991B212E301 L.P.G.
		FRAME and CASING COMPONENTS	Department: tecnico	
		Object / model:	Designed by:	heavy oil
		mod. RSF 30 E	Controlled by:	
		Room sealed - electronic ignition	Approved by:	Sheet no.: B0647_AE1
<small>ALL DESCRIPTIONS AND ILLUSTRATIONS CONTAINED IN THIS LEAFLET HAVE BEEN CAREFULLY PREPARED BUT WE RESERVE THE RIGHT TO MAKE CHANGES AND IMPROVEMENTS IN OUR PRODUCTS WHICH MAY AFFECT THE ACCURACY OF THE INFORMATION CONTAINED IN THIS LEAFLET, E + OE ALL RIGHTS RESERVED. NO PART OF THIS DOCUMENT MAY BE REPRODUCED, SAVED IN STORAGE SYSTEMS OR TRANSMITTED IN ANY FORM OR BY ANY MEANS, WHETHER ELECTRONIC, MECHANICAL, PHOTOCOPIING, RECORDING OR OTHERWISE, WITHOUT THE MANUFACTURER'S PRIOR AUTHORISATION IN WRITING.</small>				



RADIANT BRUCIATORI S.p.A.

Rev.	Description	Date
------	-------------	------



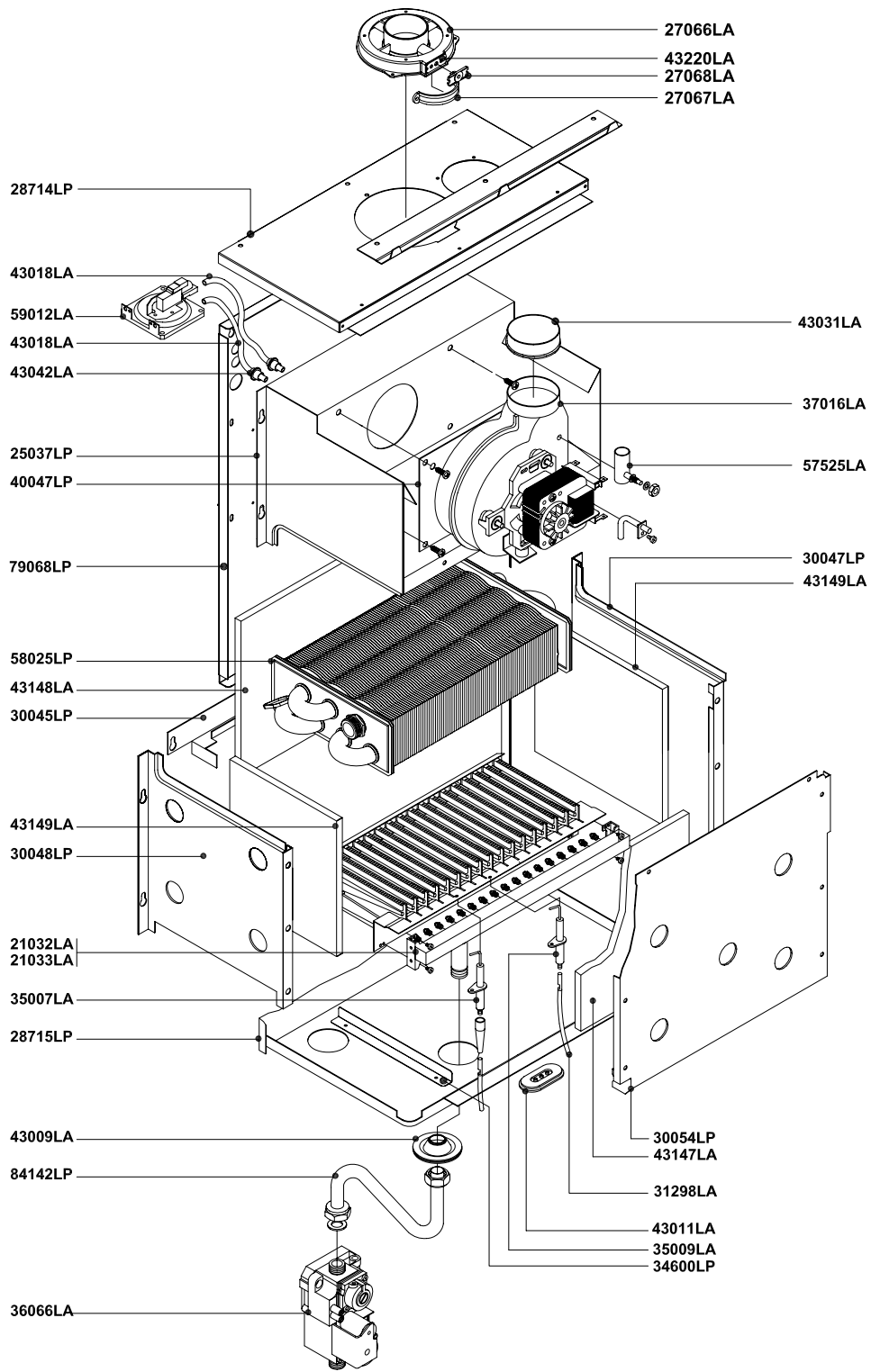
 RADIANT BRUCIATORI S.p.A.	Pos.	Code	Description:	Date: 27.06.2007	U.M.	Qt.
	Description:			Scale: --	A991A212E301	methane
	Wall hung boiler - Spare parts			Department: tecnico	A991B212E301	L.P.G.
	HYDRAULIC SYSTEM			Designed by:		
	Object / model:			Controlled by:		heavy oil
	mod. RSF 30 E			Approved by:	Sheet no.:	B0648_AE1
Room sealed - electronic ignition						

ALL DESCRIPTIONS AND ILLUSTRATIONS CONTAINED IN THIS LEAFLET HAVE BEEN CAREFULLY PREPARED BUT WE RESERVE THE RIGHT TO MAKE CHANGES AND IMPROVEMENTS IN OUR PRODUCTS WHICH MAY AFFECT THE ACCURACY OF THE INFORMATION CONTAINED IN THIS LEAFLET, E + OE ALL RIGHTS RESERVED. NO PART OF THIS DOCUMENT MAY BE REPRODUCED, SAVED IN STORAGE SYSTEMS OR TRANSMITTED IN ANY FORM OR BY ANY MEANS, WHETHER ELECTRONIC, MECHANICAL, PHOTOCOPIING, RECORDING OR OTHERS, WITHOUT THE MANUFACTURER'S PRIOR AUTHORISATION IN WRITING.

Rev.

Description

Date



Pos.	Code	Description:	U.M.	Qt.
		Description: Wall hung boiler - Spare parts THERMAL SYSTEM (ROOM SEALED - ELECT. IGNITION)		
		Object / model: mod. RSF 30 E Room sealed - electronic ignition		
		Date: 27.06.2007	A991A212E301	methane
		Scale: --	A991B212E301	L.P.G.
		Department: tecnico		
		Designed by:		heavy oil
		Controlled by:		
		Approved by:	Sheet no.:	B0649_AE1
<small>ALL DESCRIPTIONS AND ILLUSTRATIONS CONTAINED IN THIS LEAFLET HAVE BEEN CAREFULLY PREPARED BUT WE RESERVE THE RIGHT TO MAKE CHANGES AND IMPROVEMENTS IN OUR PRODUCTS WHICH MAY AFFECT THE ACCURACY OF THE INFORMATION CONTAINED IN THIS LEAFLET, E + OE ALL RIGHTS RESERVED. NO PART OF THIS DOCUMENT MAY BE REPRODUCED, SAVED IN STORAGE SYSTEMS OR TRANSMITTED IN ANY FORM OR BY ANY MEANS, WHETHER ELECTRONIC, MECHANICAL, PHOTOCOPIING, RECORDING OR OTHERS, WITHOUT THE MANUFACTURERS PRIOR AUTHORISATION IN WRITING.</small>				



