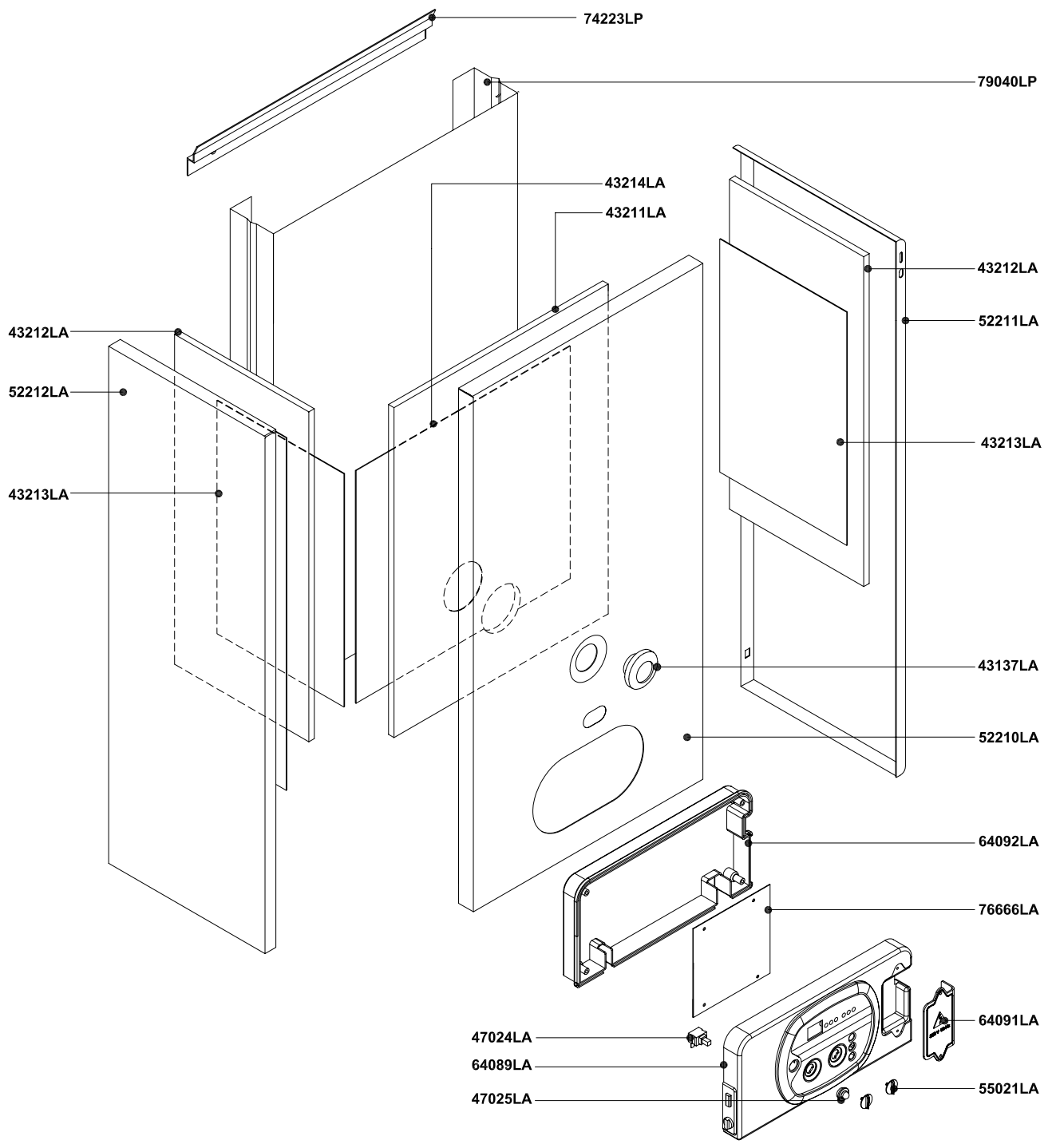


|      |             |      |
|------|-------------|------|
| Rev. | Description | Date |
|------|-------------|------|



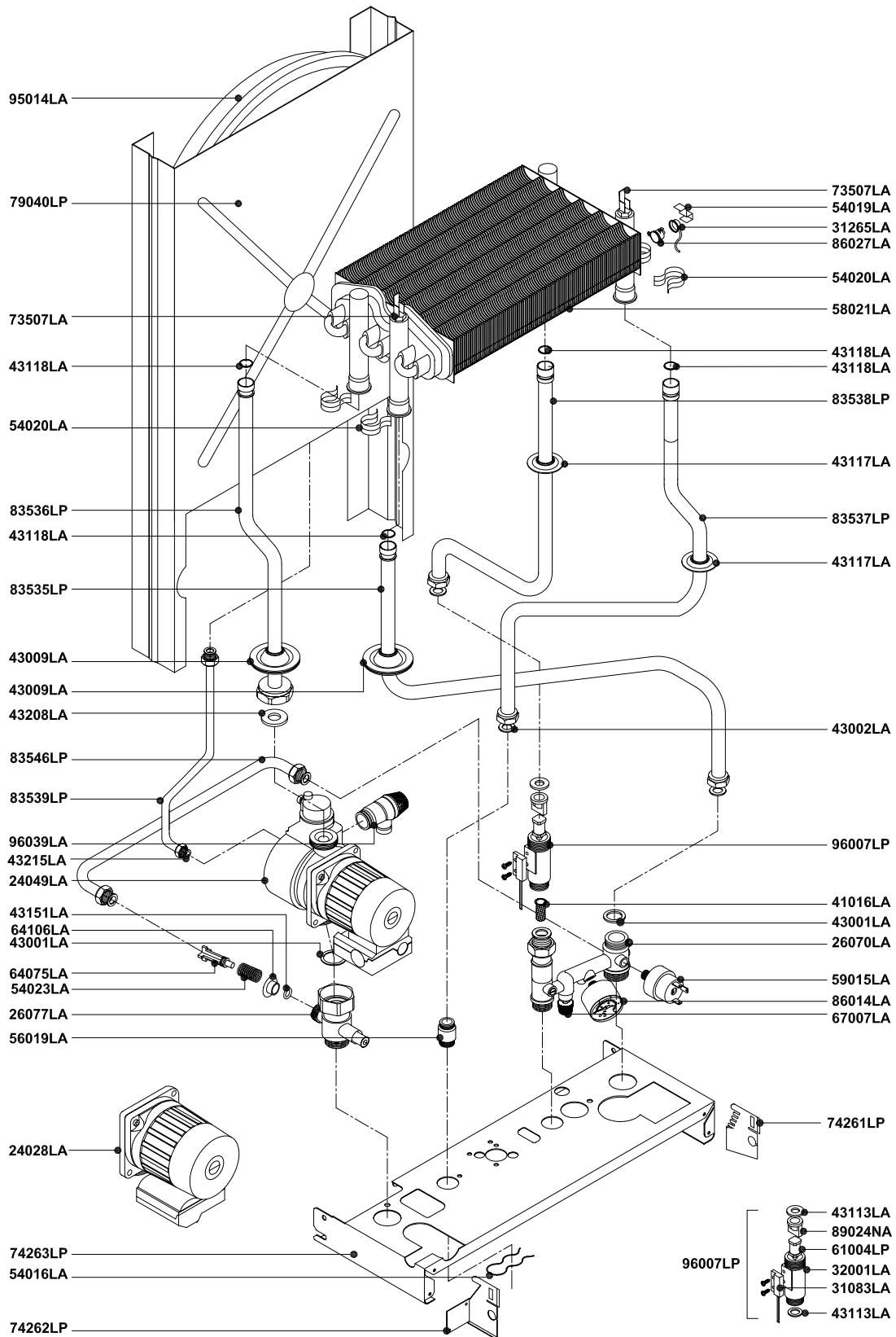
| Pos.  | Code | Description:                             | U.M.         | Qt.              |
|---|------|--|--------------|------------------|
|   |      | Description:                             |              |                  |
|   |      | <b>Wall hung boiler - spare parts</b>    |              |                  |
|   |      | <b>FRAME and CASING COMPONENTS</b>       |              |                  |
|   |      | Object / model:                          |              |                  |
|   |      | <b>mod. RBS 24</b>                       |              |                  |
|   |      | <i>room sealed - electronic ignition</i> |              |                  |
|   |      | Date: 06.05.2004                         | A991A312B101 | methane          |
|   |      | Scale: —                                 | A991B312B101 | L.P.G.           |
|   |      | Department: tecnico                      |              |                  |
|   |      | Designed by:                             |              | heavy oil        |
|   |      | Controlled by:                           |              |                  |
|   |      | Approved by:                             | Sheet no.:   | <b>B0331_AE1</b> |
| <small>ALL DESCRIPTIONS AND ILLUSTRATIONS CONTAINED IN THIS LEAFLET HAVE BEEN CAREFULLY PREPARED BUT WE RESERVE THE RIGHT TO MAKE CHANGES AND IMPROVEMENTS IN OUR PRODUCTS WHICH MAY AFFECT THE ACCURACY OF THE INFORMATION CONTAINED IN THIS LEAFLET, E + OE ALL RIGHTS RESERVED. NO PART OF THIS DOCUMENT MAY BE REPRODUCED, SAID IN STORAGE SYSTEMS OR TRANSMITTED IN ANY FORM OR BY ANY MEANS, WHETHER ELECTRONIC, MECHANICAL, PHOTOCOPIING, RECORDING OR OTHERS, WITHOUT THE MANUFACTURERS PRIOR AUTHORISATION IN WRITING.</small> |      |  |              |                  |



Rev.

Description

Date



| Pos.   | Code | Description:                             | U.M.                | Qt.                         |
|--|------|--|---------------------|-----------------------------|
|  |      | Description:                             | Date: 06.05.2004    | A991A312B101 methane        |
|  |      | <b>Wall hung boiler - spare parts</b>    | Scale: —            | A991B312B101 L.P.G.         |
|  |      | <b>HYDRAULIC SYSTEM</b>                  | Department: tecnico |                             |
|  |      | Object / model:                          | Designed by:        | heavy oil                   |
|  |      | <b>mod. RBS 24</b>                       | Controlled by:      |                             |
|  |      | <i>room sealed - electronic ignition</i> | Approved by:        | Sheet no.: <b>B0332_AE1</b> |
| <small>ALL DESCRIPTIONS AND ILLUSTRATIONS CONTAINED IN THIS LEAFLET HAVE BEEN CAREFULLY PREPARED BUT WE RESERVE THE RIGHT TO MAKE CHANGES AND IMPROVEMENTS IN OUR PRODUCTS WHICH MAY AFFECT THE ACCURACY OF THE INFORMATION CONTAINED IN THIS LEAFLET, E + 0E ALL RIGHTS RESERVED. NO PART OF THIS DOCUMENT MAY BE REPRODUCED, SAVED IN STORAGE SYSTEMS OR TRANSMITTED IN ANY FORM OR BY ANY MEANS, WHETHER ELECTRONIC, MECHANICAL, PHOTOCOPIING, RECORDING OR OTHERS, WITHOUT THE MANUFACTURERS PRIOR AUTHORISATION IN WRITING.</small> |      |  |                     |                             |

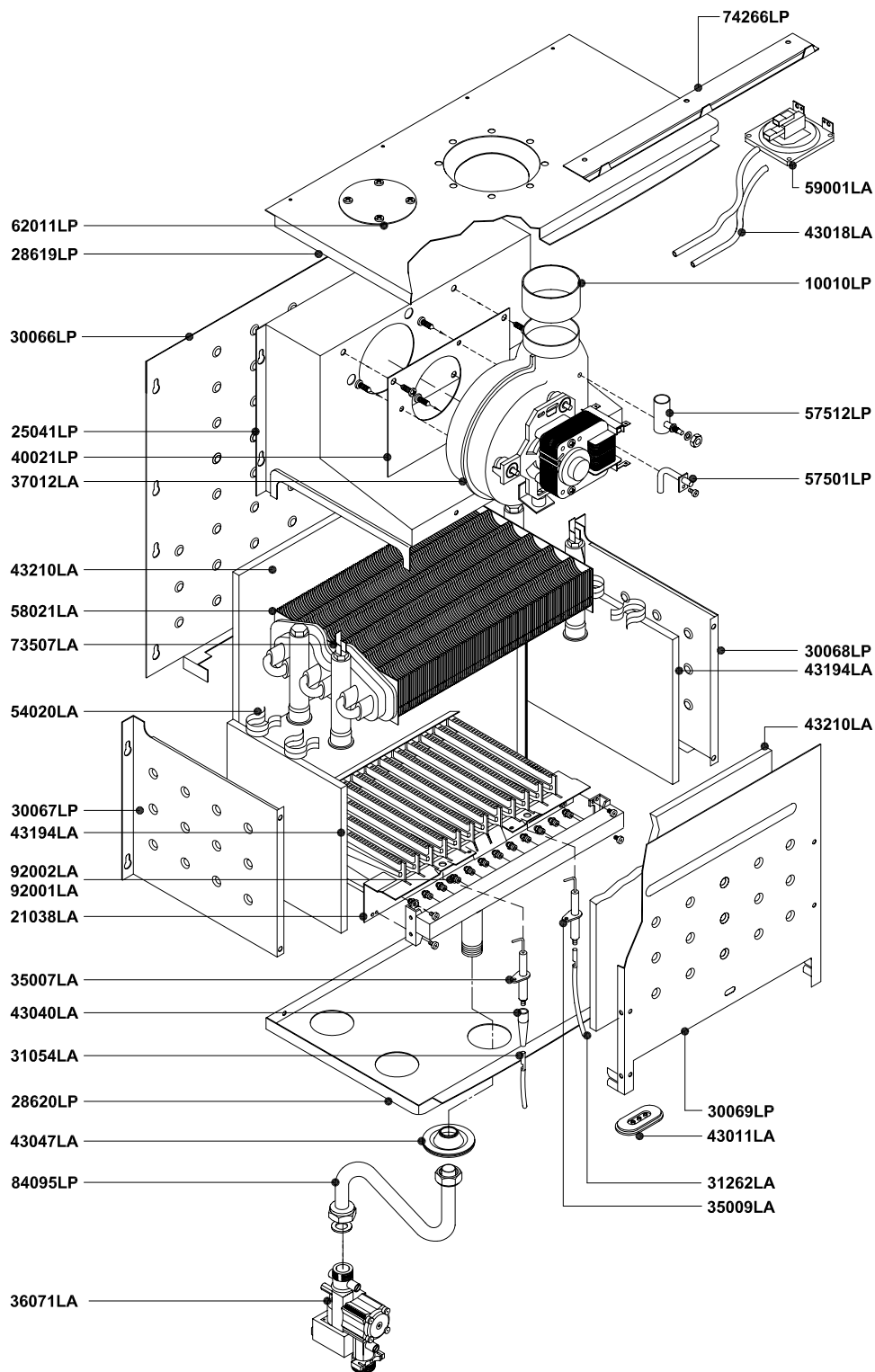


RADIANT BRUCIATORI S.p.A.

Rev.

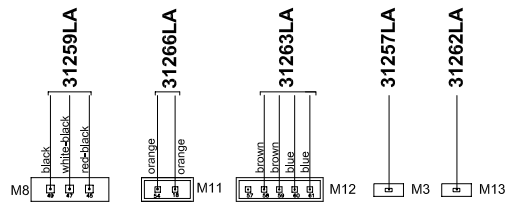
Description

Date

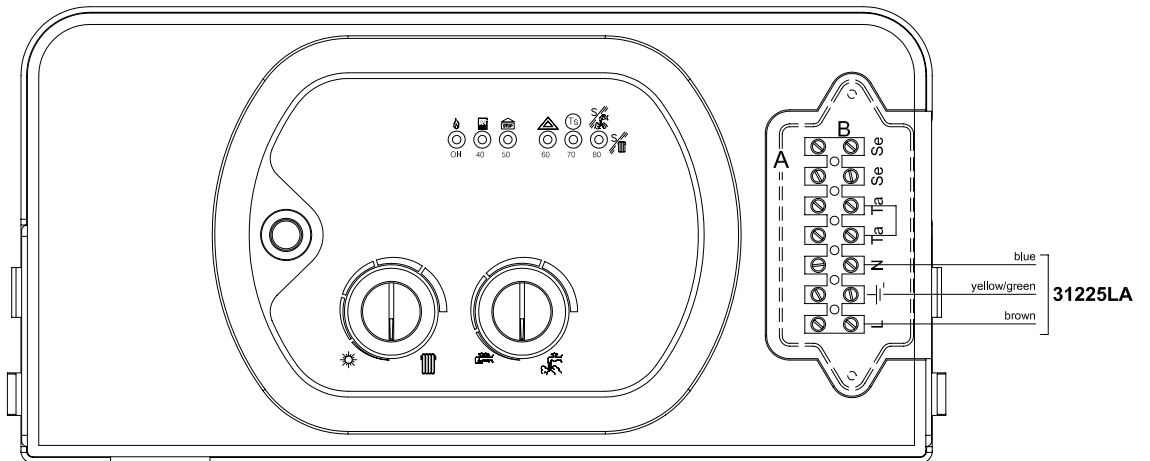
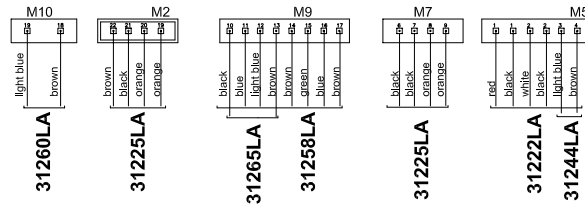
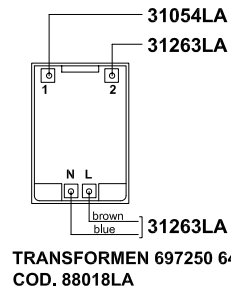
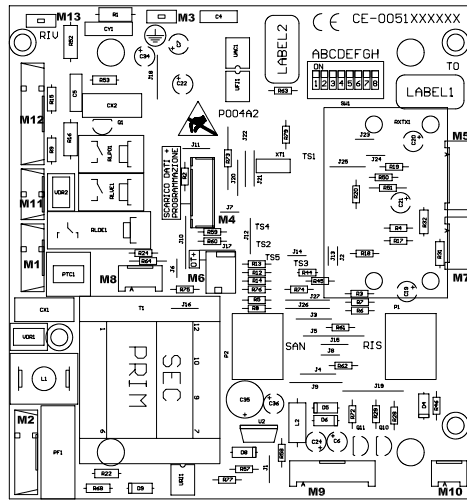


| Pos.   | Code | Description:                             | U.M.         | Qt.              |
|--|------|--|--------------|------------------|
|  |      | Description:                             |              |                  |
|  |      | <b>Wall hung boiler - spare parts</b>    |              |                  |
|  |      | <b>THERMAL SYSTEM</b>                    |              |                  |
|  |      | Object / model:                          |              |                  |
|  |      | <b>mod. RBS 24</b>                       |              |                  |
|  |      | <i>room sealed - electronic ignition</i> |              |                  |
|  |      | Date: 06.05.2004                         | A991A312B101 | methane          |
|  |      | Scale: —                                 | A991B312B101 | L.P.G.           |
|  |      | Department: tecnico                      |              |                  |
|  |      | Designed by:                             |              | heavy oil        |
|  |      | Controlled by:                           |              |                  |
|  |      | Approved by:                             | Sheet no.:   | <b>B0333_AE1</b> |
| <small>ALL DESCRIPTIONS AND ILLUSTRATIONS CONTAINED IN THIS LEAFLET HAVE BEEN CAREFULLY PREPARED BUT WE RESERVE THE RIGHT TO MAKE CHANGES AND IMPROVEMENTS IN OUR PRODUCTS WHICH MAY AFFECT THE ACCURACY OF THE INFORMATION CONTAINED IN THIS LEAFLET, E + OE ALL RIGHTS RESERVED. NO PART OF THIS DOCUMENT MAY BE REPRODUCED, SAVED IN STORAGE SYSTEMS OR TRANSMITTED IN ANY FORM OR BY ANY MEANS, WHETHER ELECTRONIC, MECHANICAL, PHOTOCOPIING, RECORDING OR OTHERS, WITHOUT THE MANUFACTURERS PRIOR AUTHORISATION IN WRITING.</small> |      |  |              |                  |





**PRINTED CIRCUIT BOARD SM30001 (COD. 76666LA)**



| Pos. | Code | Description:  | U.M.         | Qt.              |
|------|------|---|--------------|------------------|
|      |      | Description:<br><b>Wall hung boiler - spare parts</b><br><b>ELECTRIC SYSTEM</b>   |              |                  |
|      |      | Object / model:<br><b>mod. RBS 24</b><br><i>room sealed - electronic ignition</i> |              |                  |
|      |      | Date: 06.09.2004  | A991A312B101 | methane          |
|      |      | Scale: —  | A991B312B101 | L.P.G.           |
|      |      | Department: tecnico   |              |                  |
|      |      | Designed by:  |              | heavy oil        |
|      |      | Controlled by:  |              |                  |
|      |      | Approved by:  | Sheet no.:   | <b>B0334_AE1</b> |

ALL DESCRIPTIONS AND ILLUSTRATIONS CONTAINED IN THIS LEAFLET HAVE BEEN CAREFULLY PREPARED BUT WE RESERVE THE RIGHT TO MAKE CHANGES AND IMPROVEMENTS IN OUR PRODUCTS WHICH MAY AFFECT THE ACCURACY OF THE INFORMATION CONTAINED IN THIS LEAFLET, E + OE ALL RIGHTS RESERVED. NO PART OF THIS DOCUMENT MAY BE REPRODUCED, SAID IN STORAGE SYSTEMS OR TRANSMITTED IN ANY FORM OR BY ANY MEANS, WHETHER ELECTRONIC, MECHANICAL, PHOTOCOPIING, RECORDING OR OTHERS, WITHOUT THE MANUFACTURER'S PRIOR AUTHORIZATION IN WRITING.